

# Ethernet unmanaged switch

## ICRL-U-5RJ45-DIN-NT



- Five - 10/100BASE-TX ports
- Rugged housing for use in harsh environments
- Alarm relay output for port event notifications
- Input power range of 18 to 32VDC
- Suitable for PROFINET IO and EtherNet/IP

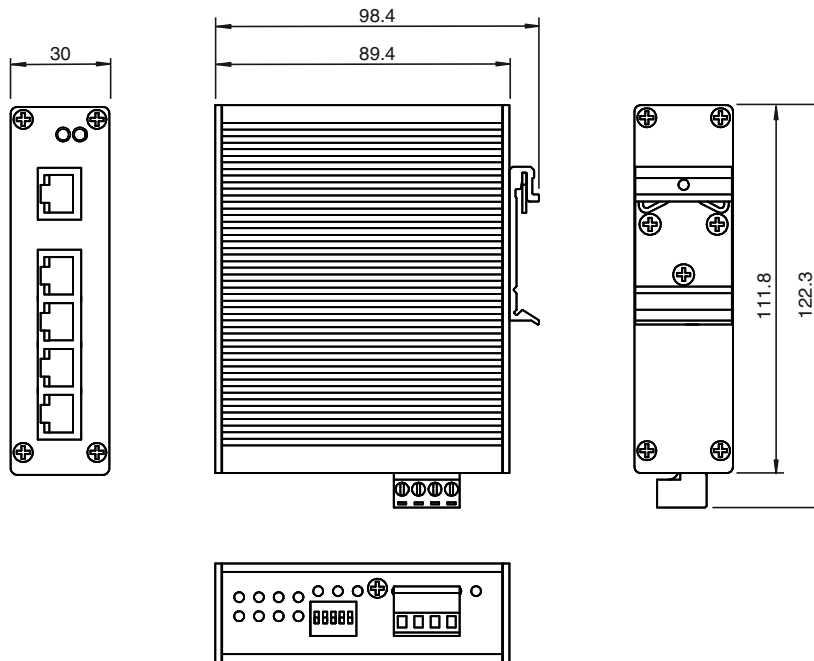
Ethernet unmanaged switch with 5 RJ45 ports and port alarm



### Function

The ICRL-U-5RJ45-DIN-NT industrial Ethernet switch is used to build high performance Ethernet networks. The switch is designed for applications that require normal operating temperature range, rugged housings, high-performance communications, and reliable data transfer. This unmanaged switch provides a cost-effective solution for low-level field device connections without the need for complex configuration.

### Dimensions



### Technical Data

#### General specifications

UL File Number E185778

#### Ethernet Interface

Auto-MDI(-X) yes

Release date: 2020-05-07 Date of issue: 2020-05-07 Filename: 70114052\_eng.pdf

Refer to "General Notes Relating to Pepperl+Fuchs Product Information".

Pepperl+Fuchs Group  
www.pepperl-fuchs.com

USA: +1 330 486 0001  
fa-info@us.pepperl-fuchs.com

Germany: +49 621 776 1111  
fa-info@de.pepperl-fuchs.com

Singapore: +65 6779 9091  
fa-info@sg.pepperl-fuchs.com

PEPPERL+FUCHS

## Technical Data

|  |                |   |
|--|----------------|---|
| Autonegotiation                            |                | yes   |
| <b>Standards</b>                           |                |   |
| IEEE 802.3 10BASE-T                        |                | yes   |
| IEEE 802.3u 100BASE-TX                     |                | yes   |
| IEEE 802.3x Flow Control and Back-pressure |                | yes   |
| <b>Indicators/operating means</b>          |                |   |
| LED indication                             |                | see manual  |
| <b>Electrical specifications</b>           |                |   |
| Rated operating voltage                    | U <sub>e</sub> | 18 ... 32 V DC  |
| Power consumption                          |                | 3 W   |
| General information                        |                | Port Failure, DIP switch enabled, Relay Rating, 1A Max. @ 24VDC |
| Nominal voltage                            |                | 24 V DC   |
| Current consumption                        |                | typ. 20 mA  |
| <b>Interface 1</b>                         |                |   |
| Interface type                             |                | Industrial Ethernet   |
| Physical                                   |                | RJ45  |
| Transfer rate                              |                | 10/100 Mbps   |
| <b>Inputs/Outputs</b>                      |                |   |
| Number/Type                                |                | 5 x RJ45  |
| <b>Directive conformity</b>                |                |   |
| Electromagnetic compatibility              |                |   |
| Directive 2014/30/EU                       |                | EN61000-6-2, EN55024  |
| <b>Standard conformity</b>                 |                |   |
| Electrical safety                          |                | CSA C22.2 No. 60950 / CSA C22.2 No. 60950/UL60950               |
| Emitted interference                       |                | EN 55055  |
| Noise immunity                             |                | EN 55024  |
| <b>Ambient conditions</b>                  |                |   |
| Ambient temperature                        |                | -25 ... 70 °C (-13 ... 158 °F)                                  |
| Storage temperature                        |                | -40 ... 85 °C (-40 ... 185 °F)                                  |
| Relative humidity                          |                | max. 95 %   |
| Altitude                                   |                | 0 ... 3048 m  |
| <b>Mechanical specifications</b>           |                |   |
| Degree of protection                       |                | IP31  |
| Connection                                 |                | Power Supply Terminal Block<br>Fieldbus 5 x RJ45                |
| <b>Material</b>                            |                |   |
| Housing                                    |                | aluminium, black  |
| Mass                                       |                | 295 g   |
| Construction type                          |                | Cabinet module  |
| Mounting                                   |                | DIN rail or direct panel mounting                               |

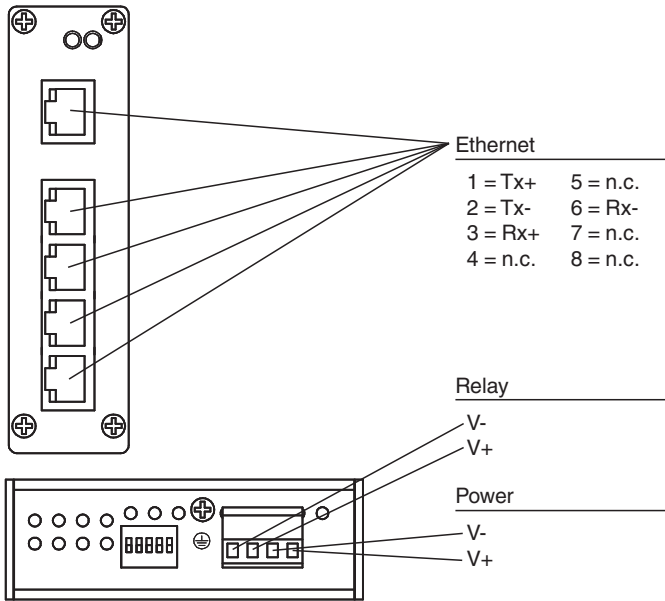
Release date: 2020-05-07 Date of issue: 2020-05-07 Filename: 70114052\_eng.pdf

Refer to "General Notes Relating to Pepperl+Fuchs Product Information".

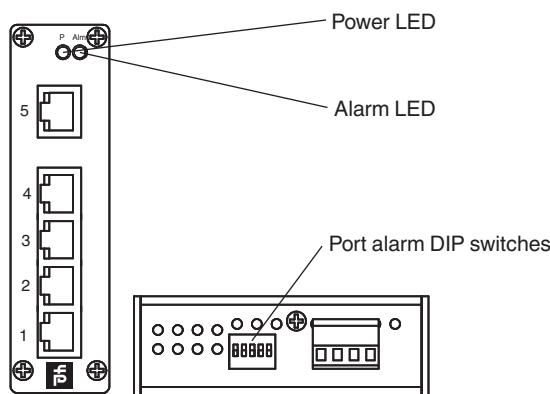
Pepperl+Fuchs Group  
www.pepperl-fuchs.comUSA: +1 330 486 0001  
fa-info@us.pepperl-fuchs.comGermany: +49 621 776 1111  
fa-info@de.pepperl-fuchs.comSingapore: +65 6779 9091  
fa-info@sg.pepperl-fuchs.com

**PEPPERL+FUCHS**

Connection



Assembly



Accessories

|  |                                     |   |
|--|-------------------------------------|---|
|  | <b>V45-G-C5-GN1M-PUR-E1S</b>        | Ethernet bus cable male cordset single-ended RJ45 PROFINET-coded, 4-pin, PUR cable green, Cat5e, shielded |
|  | <b>V45-G-C5-GN3M-PUR-E1S</b>        | Ethernet bus cable male cordset single-ended RJ45 PROFINET-coded, 4-pin, PUR cable green, Cat5e, shielded |
|  | <b>V45-G-C5-GN10M-PUR-E1S</b>       | Ethernet bus cable male cordset single-ended RJ45 PROFINET-coded, 4-pin, PUR cable green, Cat5e, shielded |
|  | <b>V45-G-C5-GN1M-PUR-E1S-V45-G</b>  | Ethernet bus cable RJ45 to RJ45 PROFINET-coded, 4-pin, PUR cable green, Cat5e, shielded                   |
|  | <b>V45-G-C5-GN3M-PUR-E1S-V45-G</b>  | Ethernet bus cable RJ45 to RJ45 PROFINET-coded, 4-pin, PUR cable green, Cat5e, shielded                   |
|  | <b>V45-G-C5-GN10M-PUR-E1S-V45-G</b> | Ethernet bus cable RJ45 to RJ45 PROFINET-coded, 4-pin, PUR cable green, Cat5e, shielded                   |

Release date: 2020-05-07 Date of issue: 2020-05-07 Filename: 70114052\_eng.pdf

Refer to "General Notes Relating to Pepperl+Fuchs Product Information".

**Accessories**

|   |                                     |   |
|---|-------------------------------------|---|
|  | <b>V45-G-C5-GN20M-PUR-E1S-V45-G</b> | Ethernet bus cable RJ45 to RJ45 PROFINET-coded, 4-pin, PUR cable green, Cat5e, shielded |
|---|-------------------------------------|---|

Release date: 2020-05-07 Date of issue: 2020-05-07 Filename: 70114052\_eng.pdf

Refer to "General Notes Relating to Pepperl+Fuchs Product Information".

Pepperl+Fuchs Group  
www.pepperl-fuchs.com

USA: +1 330 486 0001  
fa-info@us.pepperl-fuchs.com

Germany: +49 621 776 1111  
fa-info@de.pepperl-fuchs.com

Singapore: +65 6779 9091  
fa-info@sg.pepperl-fuchs.com