

Gro-Wall[®]
VERTICAL GARDEN SYSTEM
GRO-WALL[®] SLIM PRO

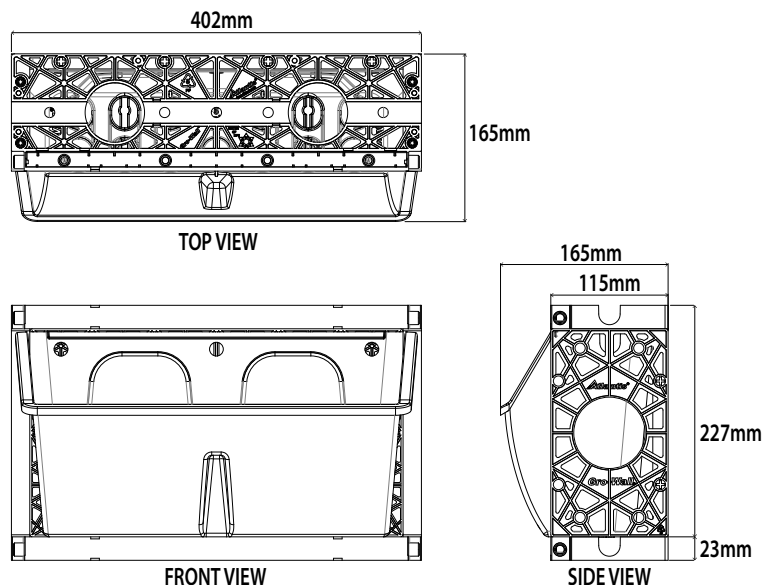


6 PLANTER TRAY KIT

Assembly, Installation & Watering Guide

PRODUCT SPECIFICATION

GRO-WALL[®] SLIM PRO



SPECIFICATIONS: GRO-WALL[®] SLIM PRO

Part Number	80080
Part Size	(H) 227mm (W) 404mm (D) 165mm (H) 8.93" (W) 15.9" (D) 6.5"
Part Weight	1.56 kg (3.44 lbs)
Weight Per Kit	9.40 kg (20.72 lbs)
Surface Area per Kit	0.56 m ² (6.02 ft ²)
Surface Area per Module	0.091 m ² (0.98 ft ²)
Modules Per Kit	6 Modules
Planter Tray Capacity	6 Litres of growing media (1.36 US Gal Dry)
Material	85% Recycled Polypropylene 15% Propriety Selected Materials
Colour	Black
Chemical & Biological Resistance	Unaffected by molds, algae, soil-bourne chemicals, bacteria and bitumen.
Service Temperature	-10 ⁰ C - 70 ⁰ C (14 F ⁰ - 158 F ⁰)
Approximate Material Lifespan	100 years + with no ultra violet exposure

*Ultimate strength till failure (not yield)

Note: Atlantis[®] product specifications are updated on a regular basis. Please contact Atlantis[®] technical department for the latest data sheet available

Contents

CONTENTS

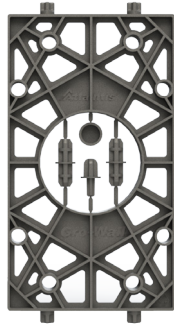
KIT COMPONENTS	4
ASSEMBLY OVERVIEW	5
INSTALLATION OF PLANTER TRAY ALIGNMENT PINS	6
PARTIAL MODULE ASSEMBLY (FOR STACKING)	7
SINGLE MODULE ASSEMBLY (BASE MODULE)	7
VERTICAL STACKING OF ASSEMBLIES	8
STANDARD DRAINAGE SETUP (RECOMENDED)	9
CHANNEL DRAINAGE SETUP (OPTIONAL)	10
MODULE SIZE & WALL FIXING POSITION	11
INSTALLING GRO-WALL® INTO A RECESS	12
TRADITIONAL IRRIGATION SYSTEM OVERVIEW	13
WATERING SETUP	15
PLANTING	16
MAINTENANCE	17

KIT COMPONENTS

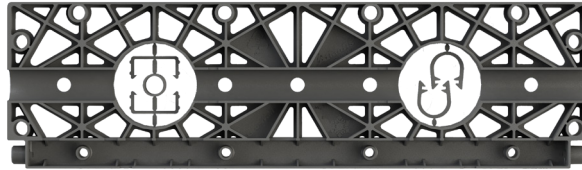
1 X PACKET OF SCREWS, WASHERS & WALL PLUGS



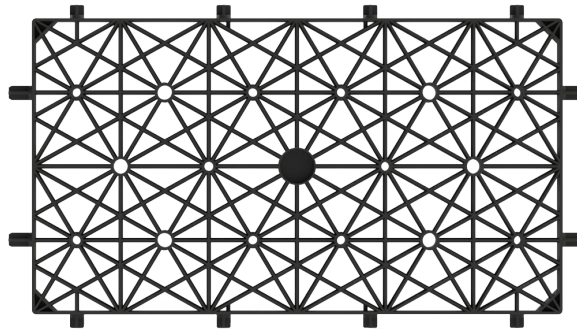
12 X SIDE PANELS



8 X BASE PANELS



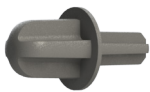
6 X REAR PANELS



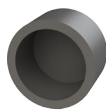
6 X PLANTER TRAYS



KIT ACCESSORIES



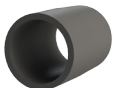
12 X PLANTER TRAY
ALIGNMENT PIN



12 X DRAINAGE CAP



32 X INTERNAL
IRRIGATION CLIP



8 X CHANNEL CONNECTOR

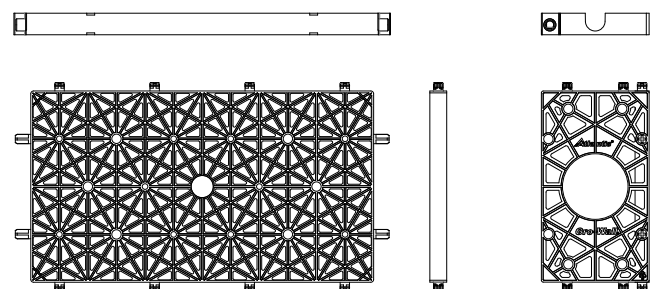
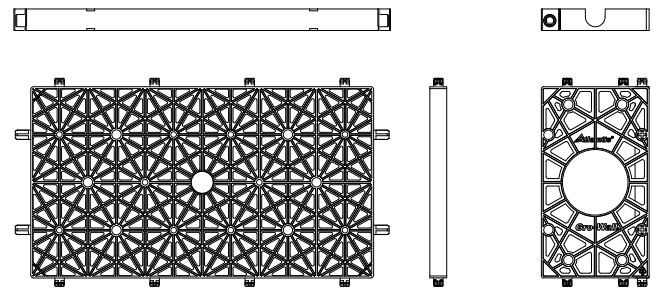
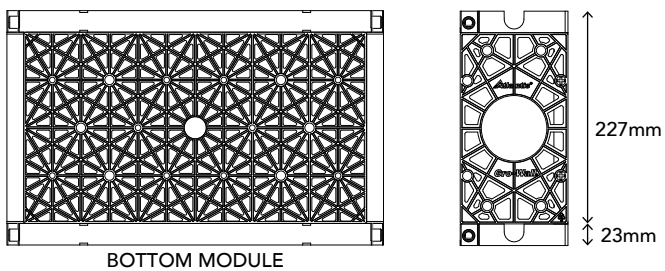
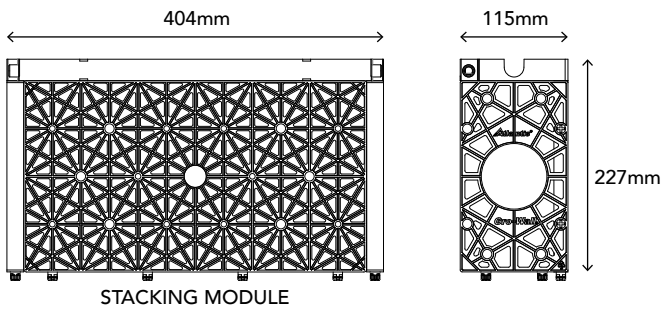
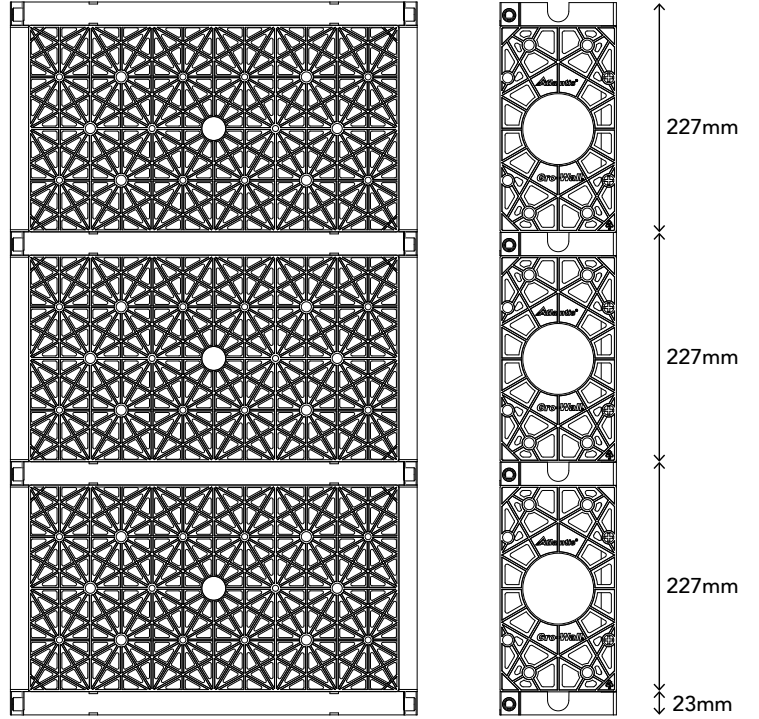
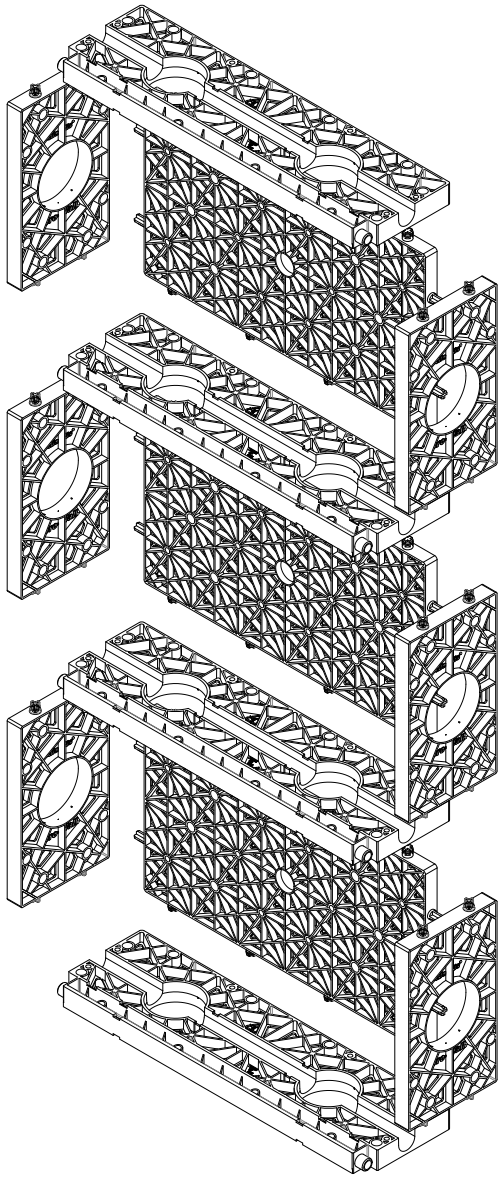


24 X SIDE CONNECTOR



32 X FRONT
IRRIGATION CLIP
(OPTIONAL)

ASSEMBLY OVERVIEW



FRONT VIEW

SIDE VIEW

FRONT VIEW

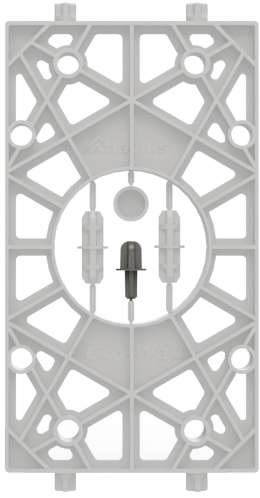
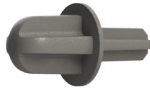
SIDE VIEW

INSTALLATION OF PLANTER TRAY ALIGNMENT PINS

Remove tray pins from each side panel. Install 2 tray pins into the center line locations on the rear panel.

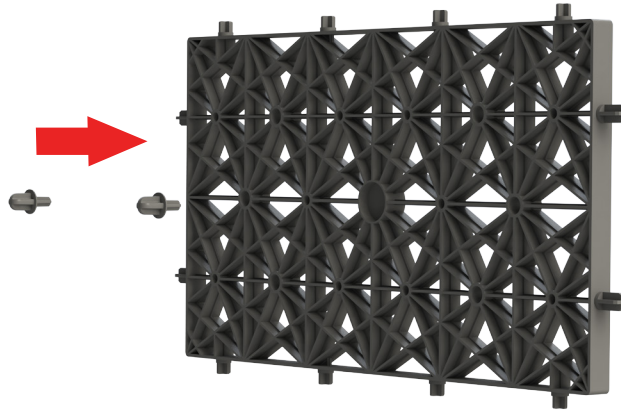
STEP 1

Remove tray pins from side panels.



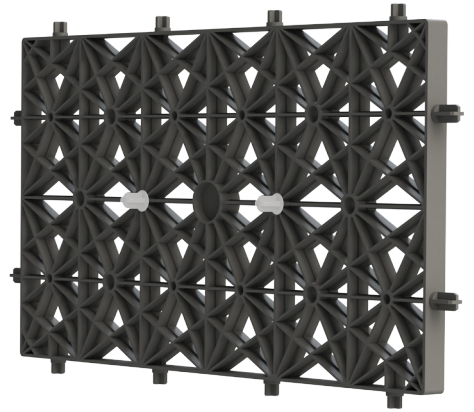
STEP 2

Install 2 tray pins into the center line of the rear panel as shown.



STEP 3

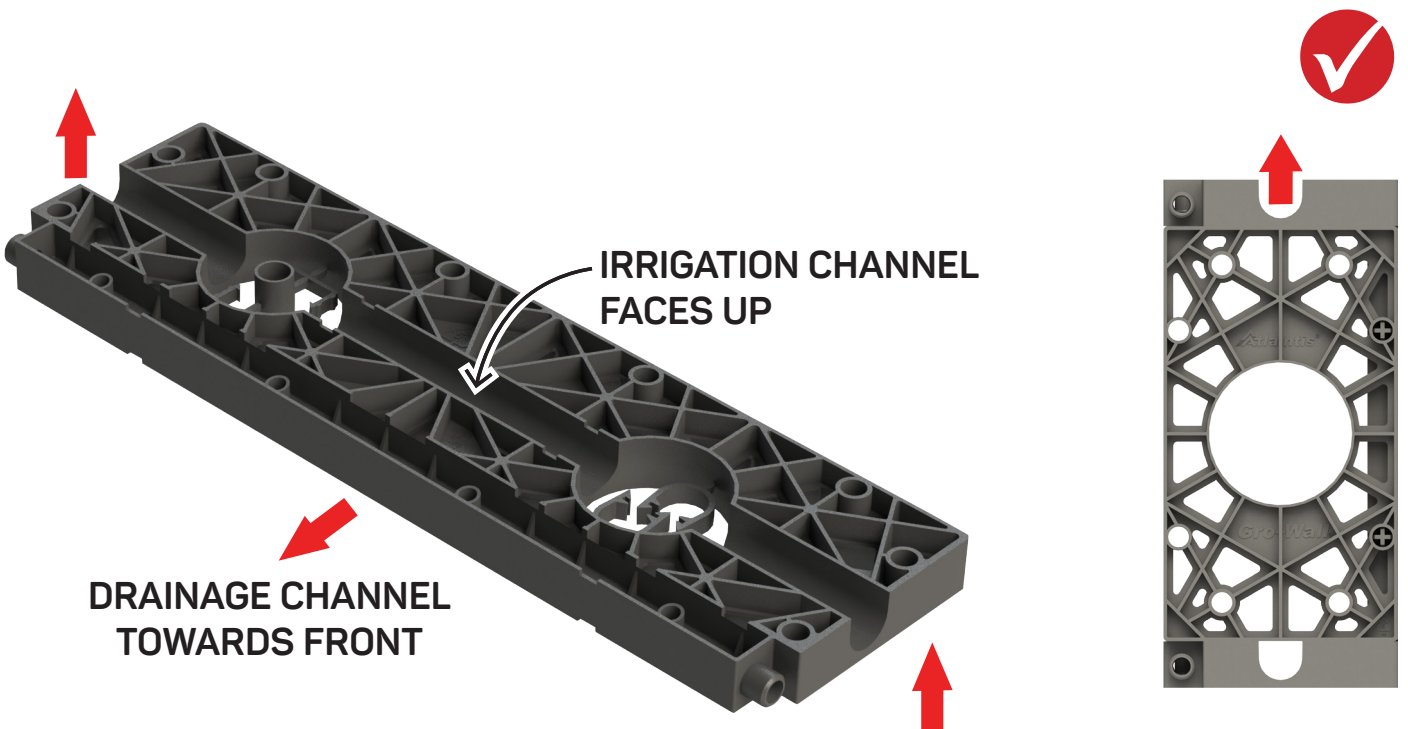
Tray pins installed correctly.



BASE PLATE ORIENTATION

Ensure that modules are assembled with the irrigation channel facing UP!

NOTE: Base panels must be installed correctly for the system to function correctly. The base panel is orientated correctly when the irrigation channel is visible on the top.

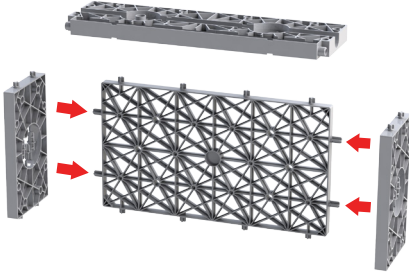


PARTIAL MODULE ASSEMBLY (FOR STACKING)

The partial module is used to vertically stack the Gro-Wall® SLIM PRO modules on top of each other.

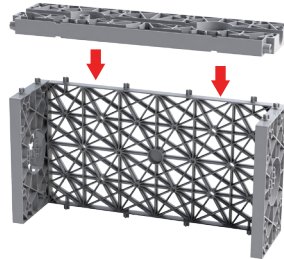
STEP 1

Attach the side panels to the rear panel.



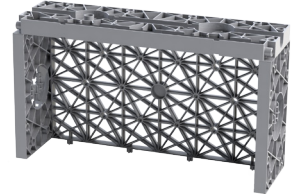
STEP 2

Attach the base panel to the top of the assembly.



STEP 3

Complete sub assembly.

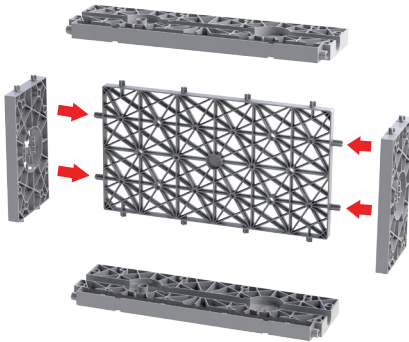


SINGLE MODULE ASSEMBLY (BASE MODULE)

The single module is used to form the base of the vertical garden installation.

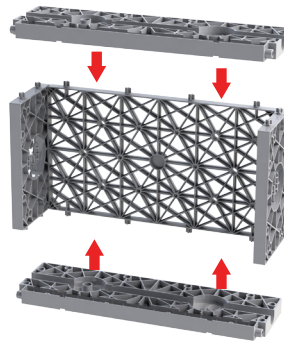
STEP 1

Attach the side panels to the rear panel.



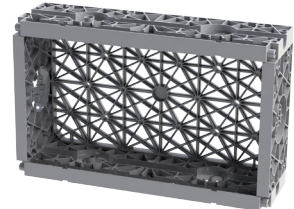
STEP 2

Attach the base panel to the top and bottom of the assembly.



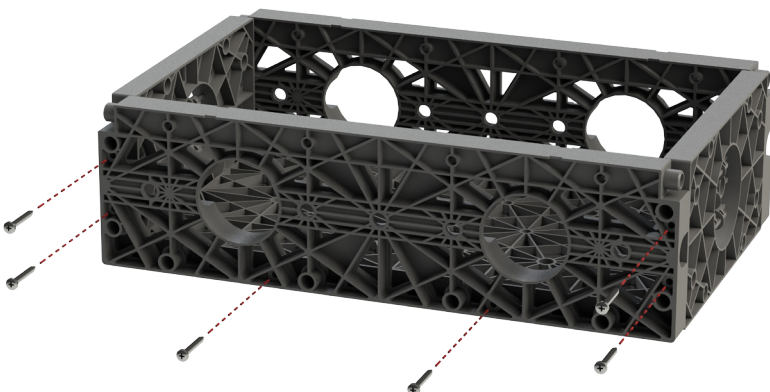
STEP 3

Module is assembled ready for screws.



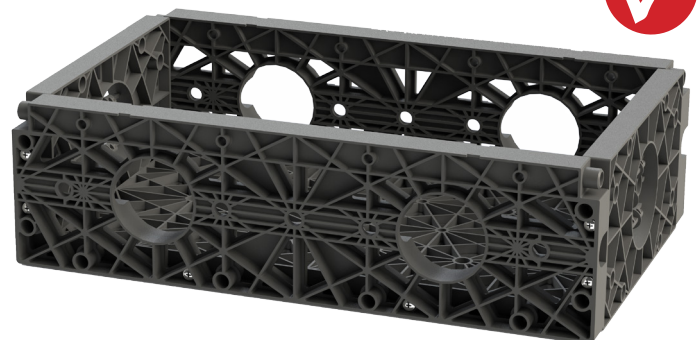
STEP 4

Attach the 6 screws to the bottom base plate at the locations indicated.



STEP 5

Completed base module assembly with base panel fixed in place.

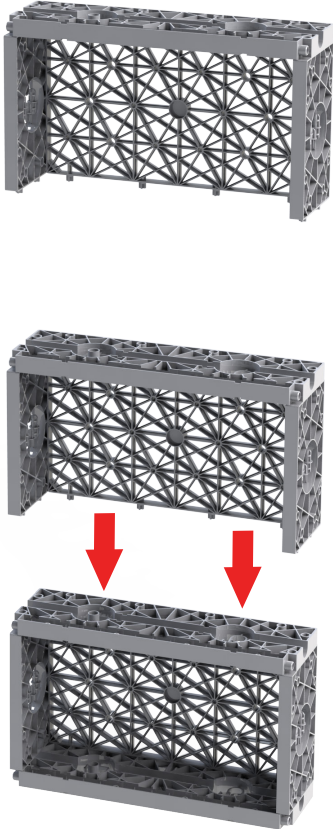


VERTICAL STACKING OF ASSEMBLIES

Gro-Wall® SLIM PRO are stacked on top of each other for vertical assembly.

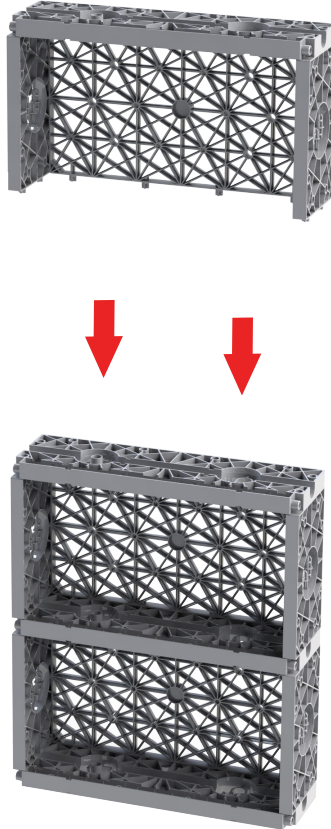
STEP 1

Insert semi assembled module into base module.



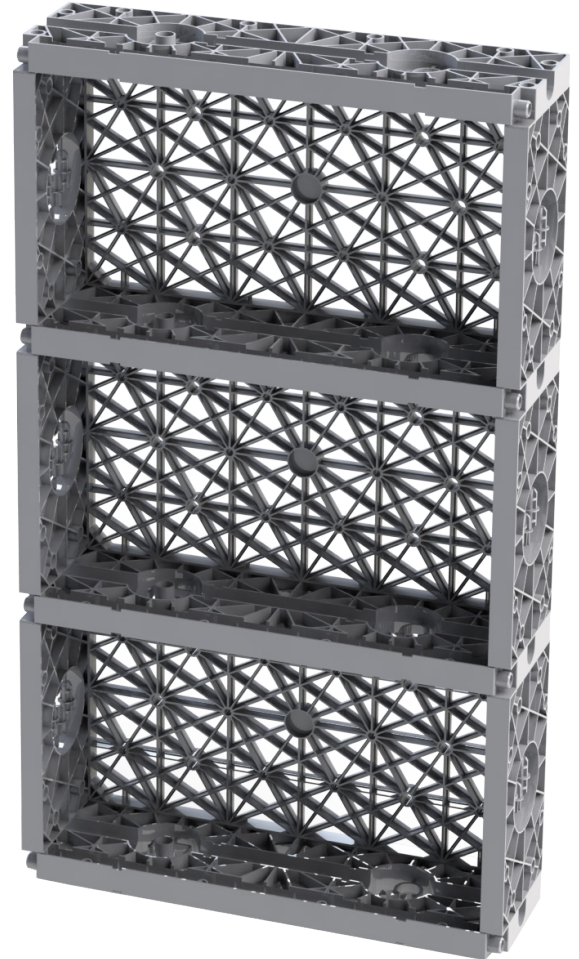
STEP 2

Repeat process until desired row height is achieved.



STEP 3

Stacking is complete.

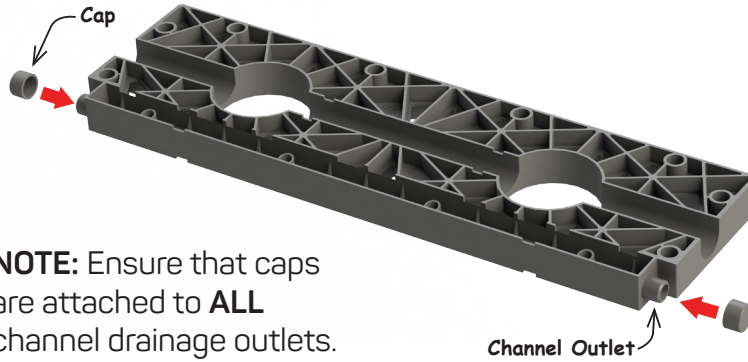
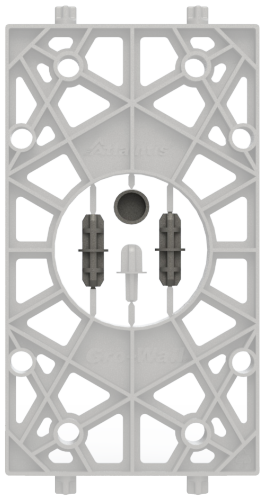


STANDARD DRAINAGE SETUP (RECOMENDED)

This drainage setup will drain water from each planter tray into the planter tray below.

STEP 1

Remove CAP and CONNECTOR PINS from side panels.

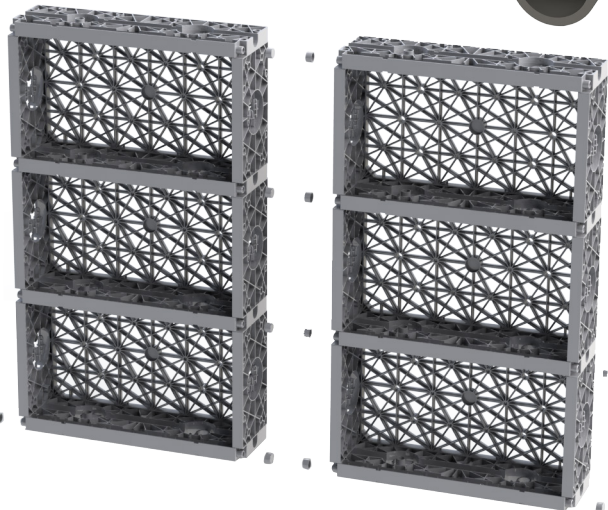
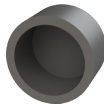


NOTE: Ensure that caps are attached to **ALL** channel drainage outlets.



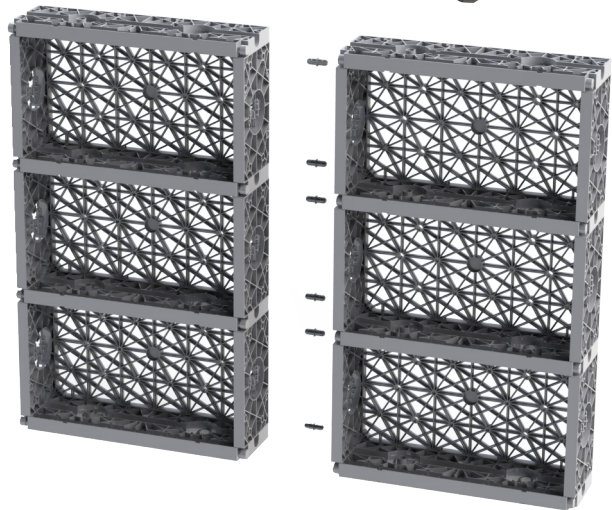
STEP 2

Attach CAP's to all channel outlets.



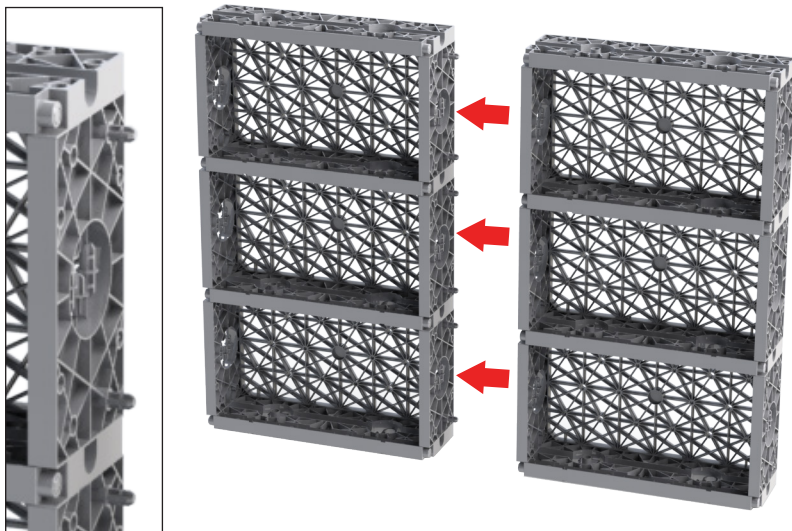
STEP 3

Attach SIDE CONNECTOR PINS.



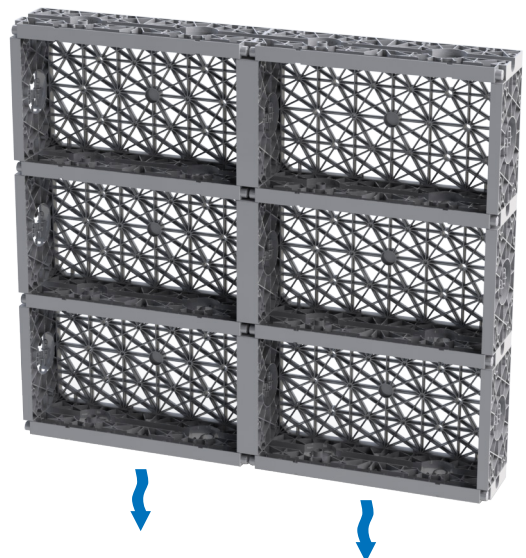
STEP 4

Join module stacks together.



STEP 5

Completed assembly. Water will now drain from channel into the planter tray below.

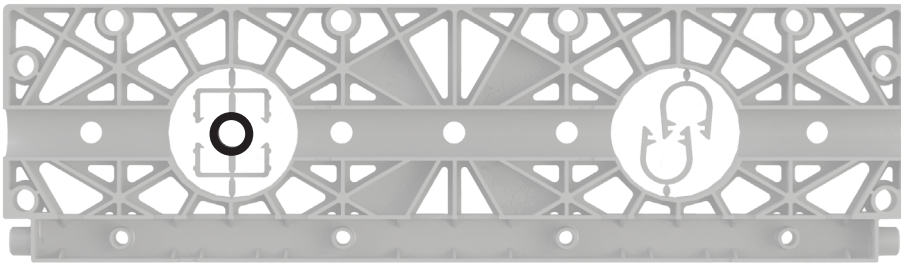


CHANNEL DRAINAGE SETUP (OPTIONAL)

This setup will drain water away from each planter tray to a desired drainage outlet for small installations..

STEP 1

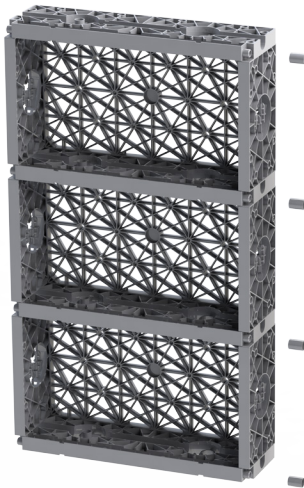
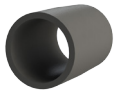
Remove PIPE CONNECTOR and clips from base panels.



NOTE: PIPE CONNECTOR's are only used between connecting units.

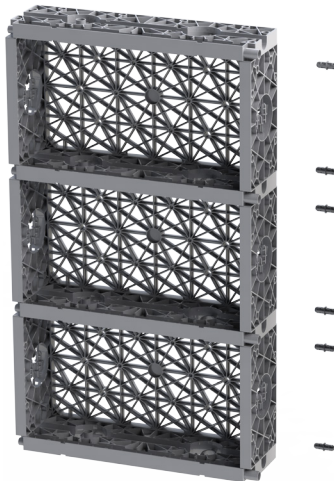
STEP 2

Attach PIPE CONNECTOR's to the right side of units that will be connected together.



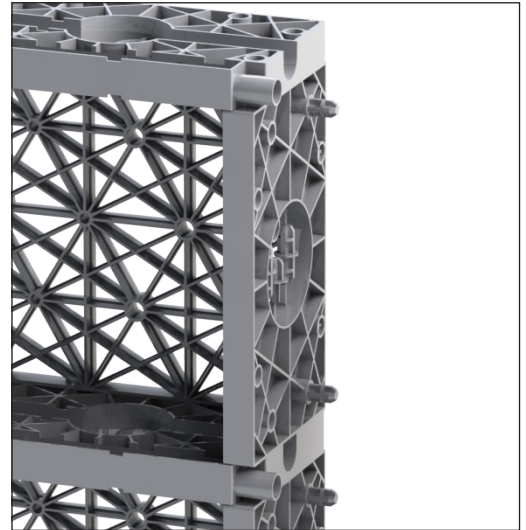
STEP 3

Attach SIDE CONNECTOR PINS.



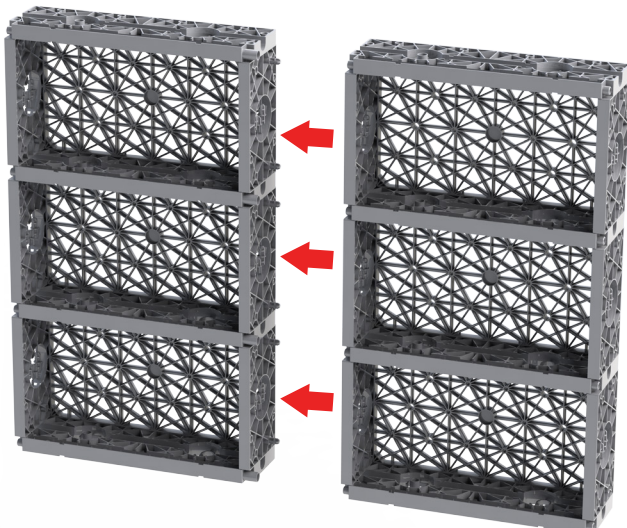
STEP 4

Module stack ready for connection to adjacent module stack.



STEP 5

Join module stacks together.



STEP 6

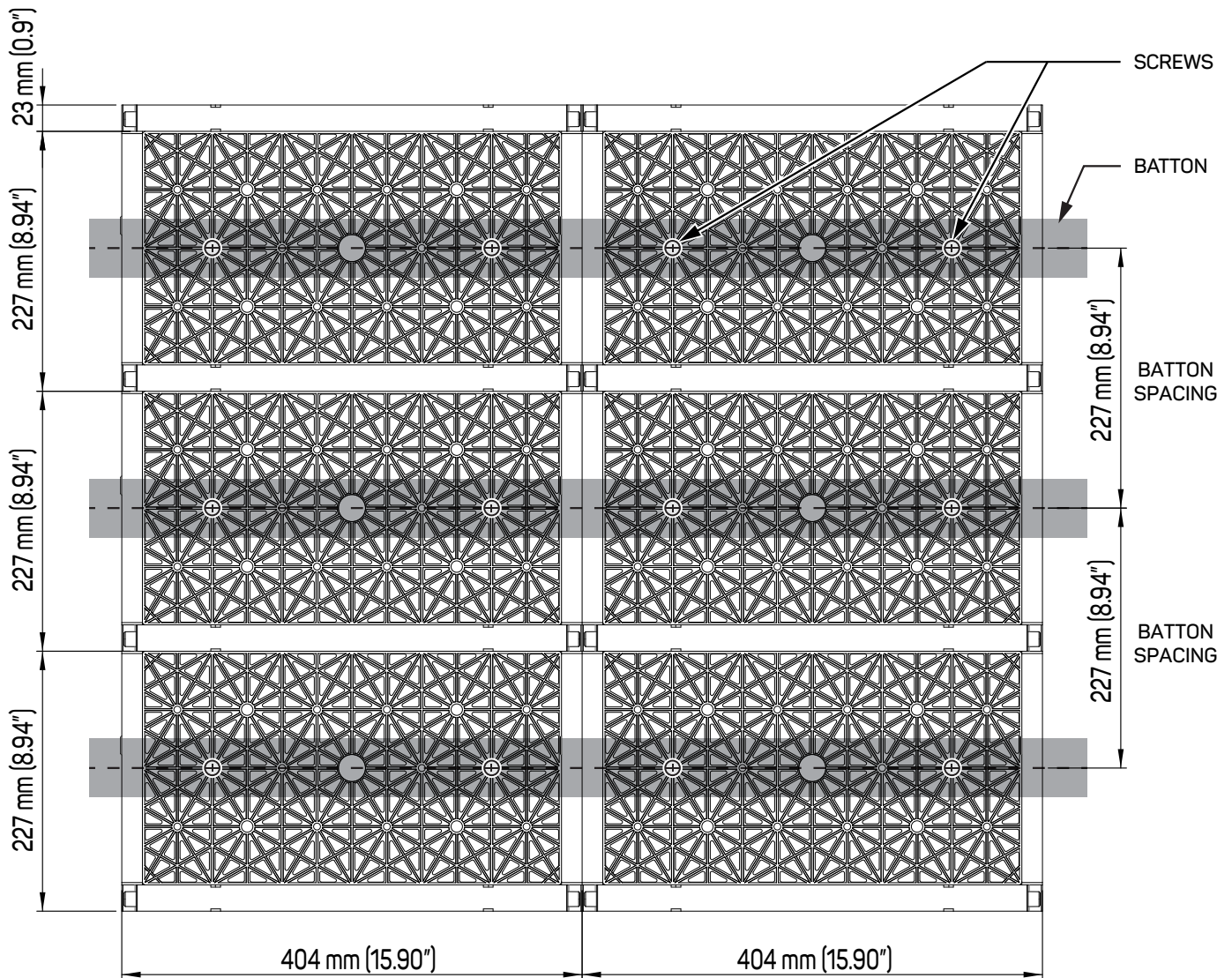
Connect drainage pipes to the sides of the installation.



MODULE SIZE & WALL FIXING POSITION

GRO-WALL® SLIM PRO dimensions for installation set out.

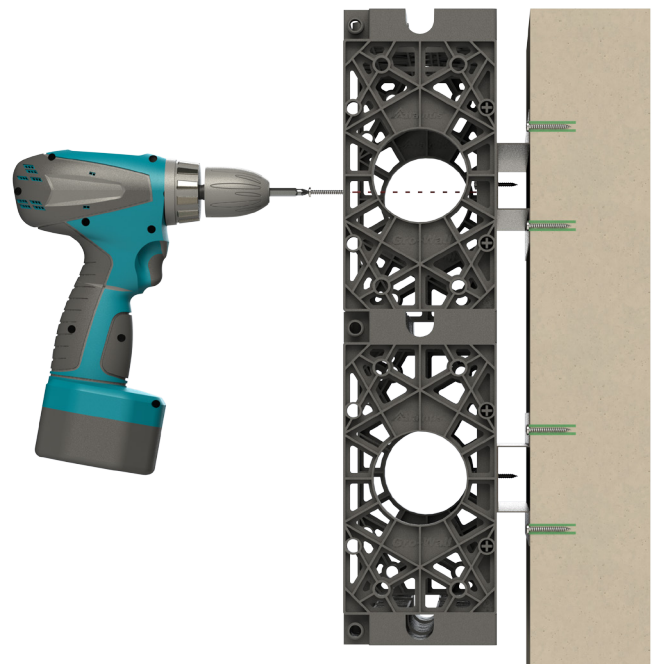
FIXING: Install 2 screws per module.



NOTE: Allow for tolerance when constructing large installations. Use a spirit level to install the Gro-Wall® SLIM PRO Structure. A level installation is essential for the channel drainage to work effectively.

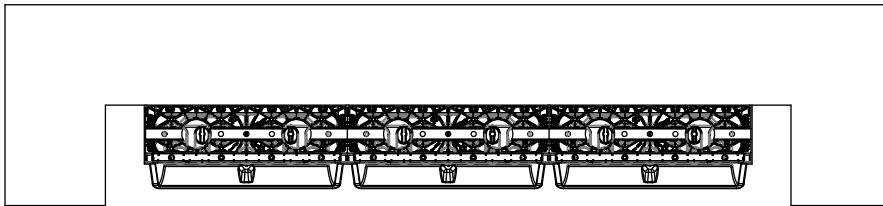


**INSTALLATION
MUST BE LEVEL!**

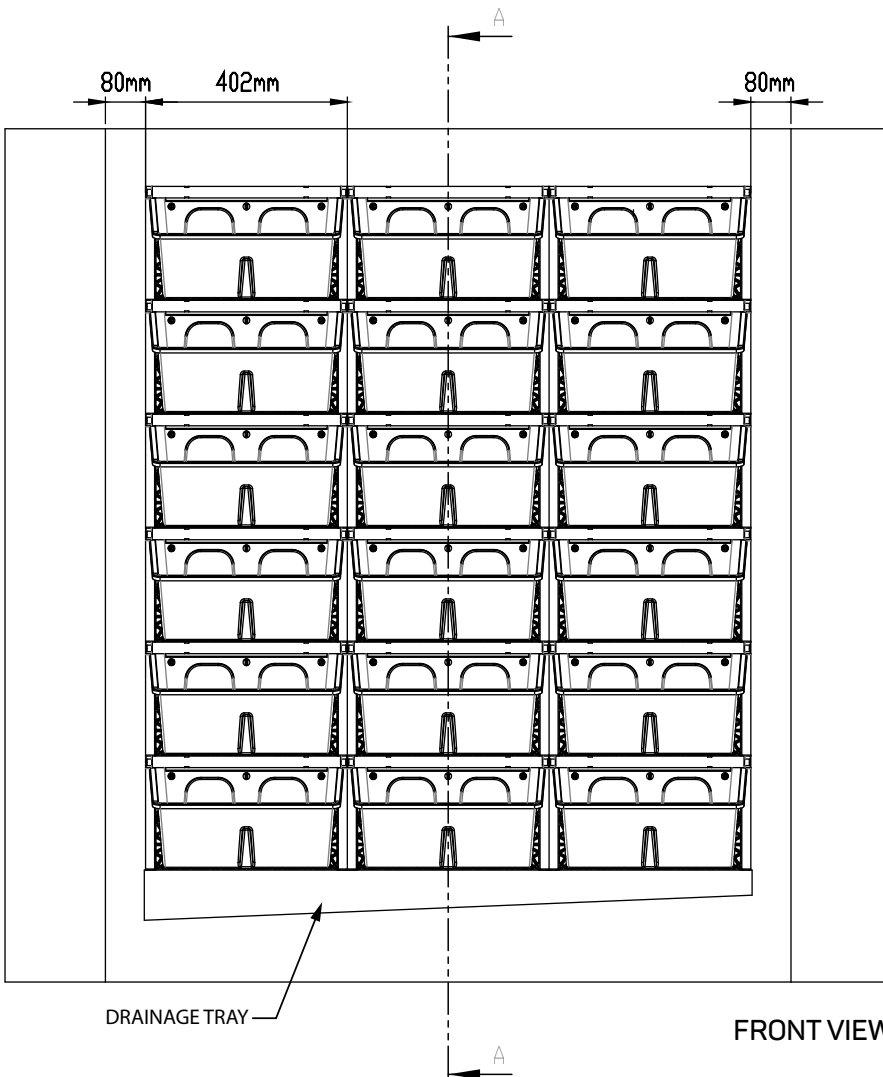


INSTALLING GRO-WALL® INTO A RECESS

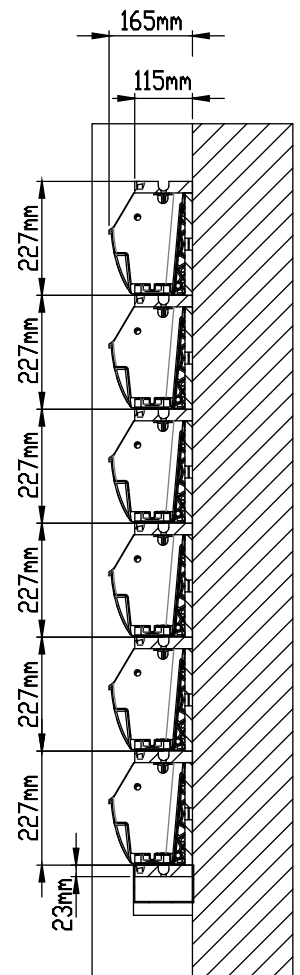
When installing Gro-Wall® Slim Pro modules into a recessed cavity we recommend a buffer of 80mm distance per side to allow for the installation and maintenance of the irrigation system. To achieve a flush look the depth of the recess must be a minimum of 200mm.



TOP VIEW



FRONT VIEW

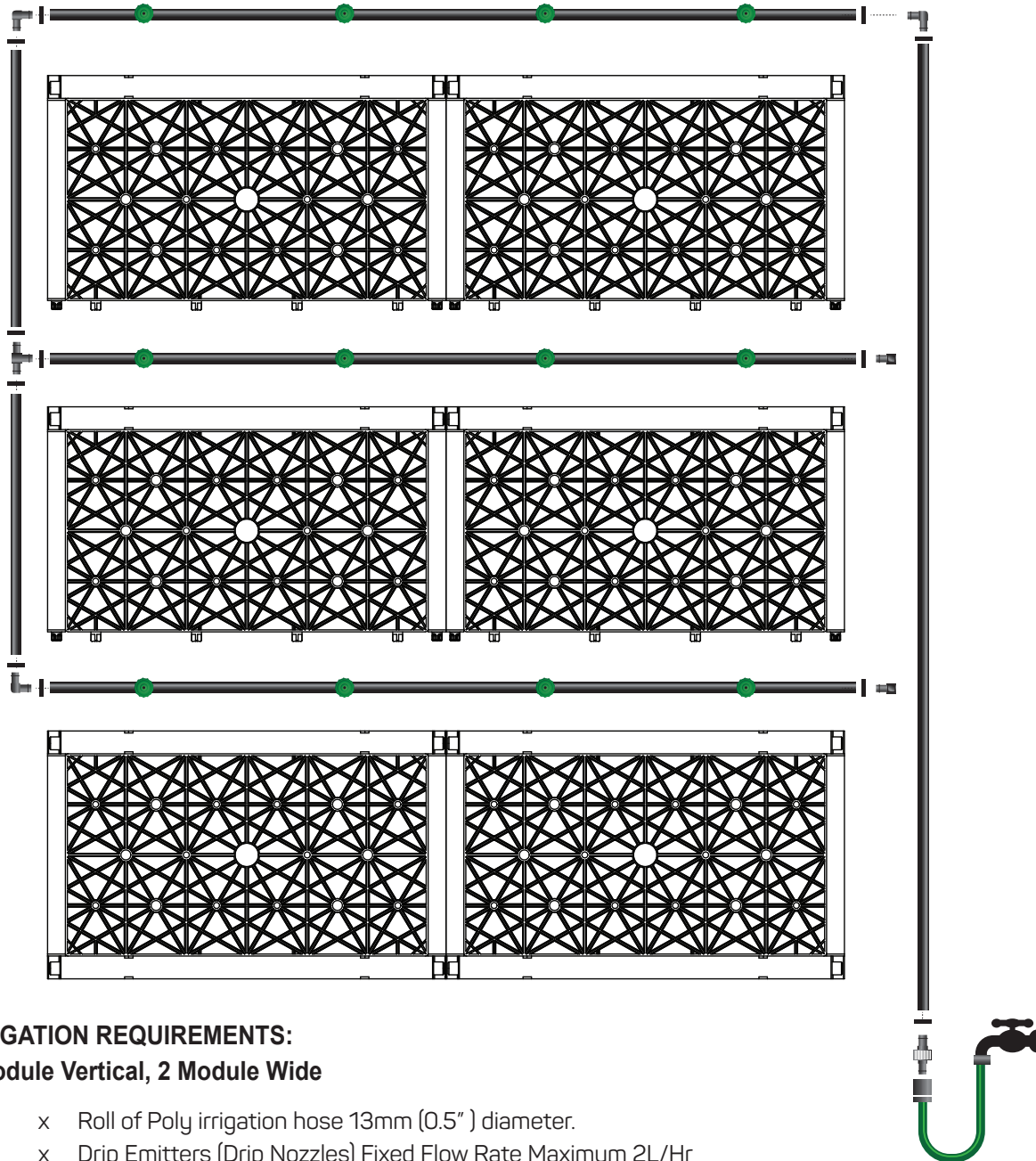


SIDE VIEW

TRADITIONAL IRRIGATION SYSTEM OVERVIEW

Gro-Wall® features a built in provision called IPI™ Individual Plant Irrigation. The IPI™ system allows third party irrigation and drip emitters to be installed for each plant within the Gro-Wall® structure. This system enables the caretaker to tailor the watering requirements to suit various environmental conditions, seasonal changes and plant species. Third party irrigation systems are not included in this kit.

TYPICAL IRRIGATION SETUP



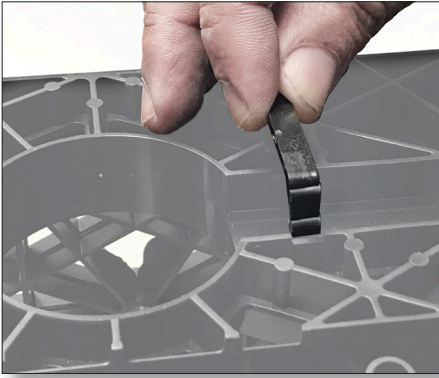
IRRIGATION REQUIREMENTS:

6 Module Vertical, 2 Module Wide

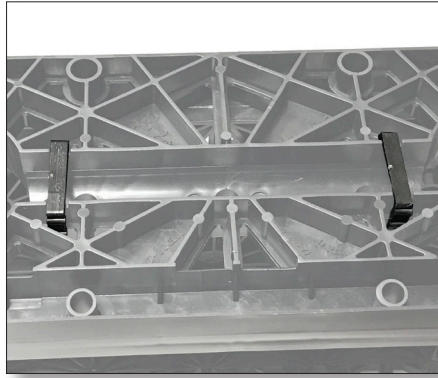
- 1 x Roll of Poly irrigation hose 13mm (0.5") diameter.
- 12 x Drip Emitters (Drip Nozzles) Fixed Flow Rate Maximum 2L/Hr
- 2 x Poly end cap connectors
- 1 x Poly T (3 way) connectors
- 3 x Poly 90° angle connectors
- 1 x Poly water tap connector
- 12 x Hose Clamps (poly or stainless steel)

Note: Depending on individual designs, the amount of irrigation requirements can change (end cap connectors, 3 way connectors & elbows)

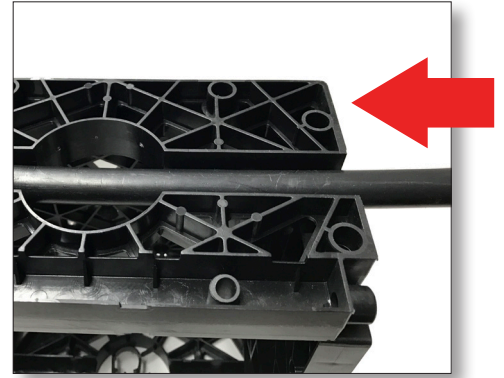
IRRIGATION INSTALLATION



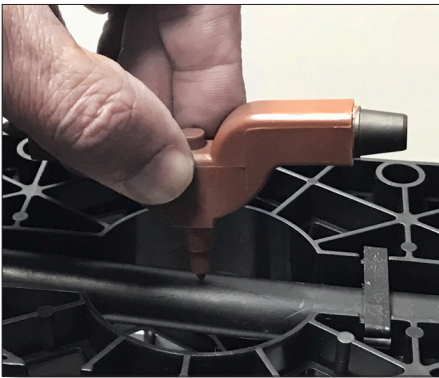
1. Click into place the INTERNAL IRRIGATION CLIPS into place to retain the irrigation pipe.



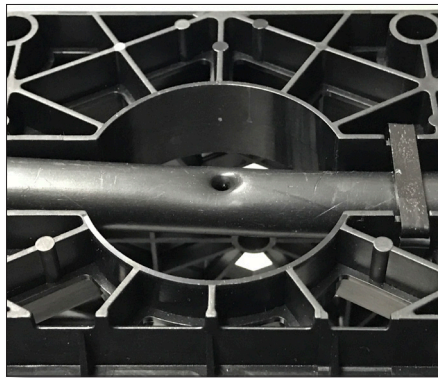
2. Continue to place the INTERNAL IRRIGATION CLIPS through out the installation.



3. Insert poly irrigation pipe along the length each row of the installation.



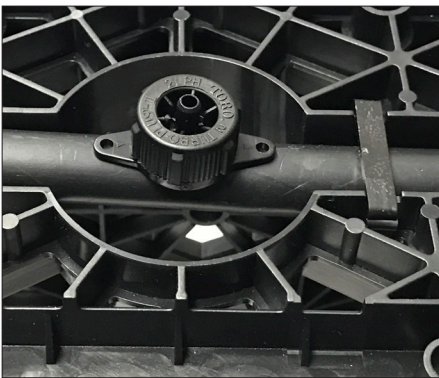
4. Puncture the poly pipe.



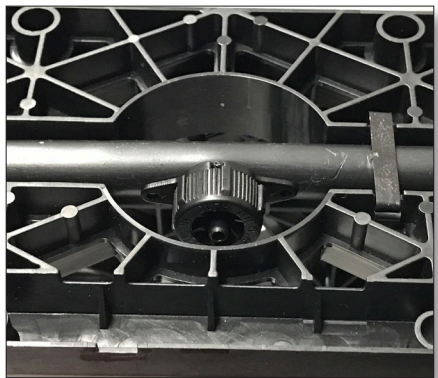
5. The poly pipe is now ready for Drip Emitter installation.



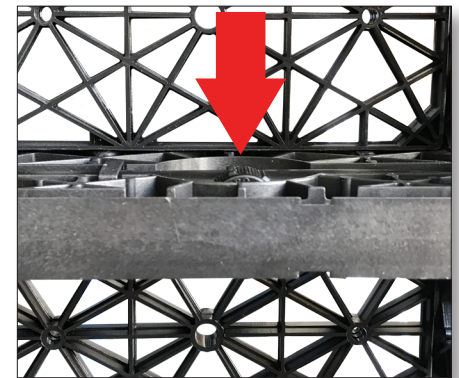
6. Install the Drip Emitter.



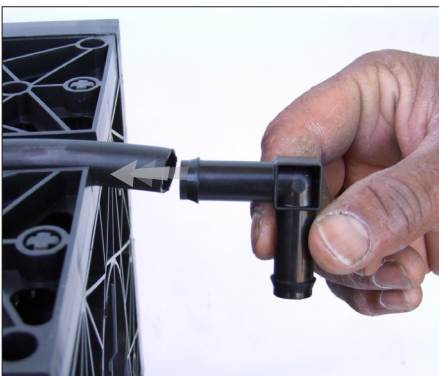
7. Install Drip Emitter through out the installation.



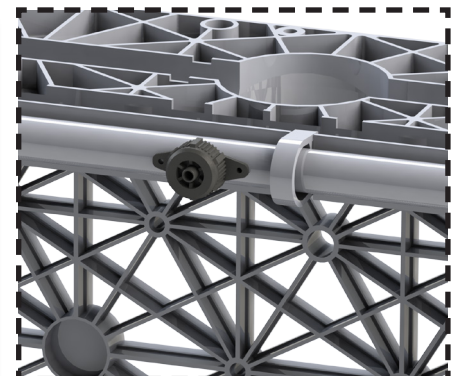
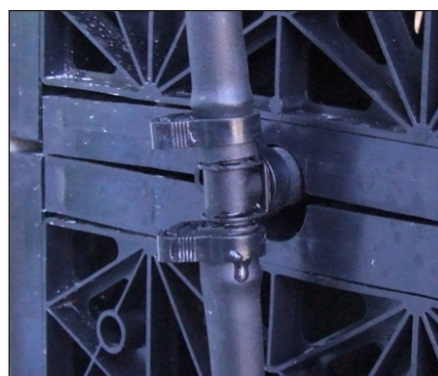
8. When all Drip Emitter are installed, rotate the poly pipe 90 degrees.



9. Correctly installed Drip Emitter sits flush with the base plate.



10. Complete installation of the remaining irrigation connections.



NOTE: OPTIONAL FRONT IRRIGATION CAN BE INSTALLED USING SUPPLIED FRONT IRRIGATION CLIPS.

WATERING SETUP

TO SET UP IRRIGATION CYCLE TIMING

STEP 1

Turn on the irrigation system to water the plants.

STEP 2

When the planting media is sufficiently moist turn off irrigation. Note the runtime of the watering and use this to program the timer.

STEP 3

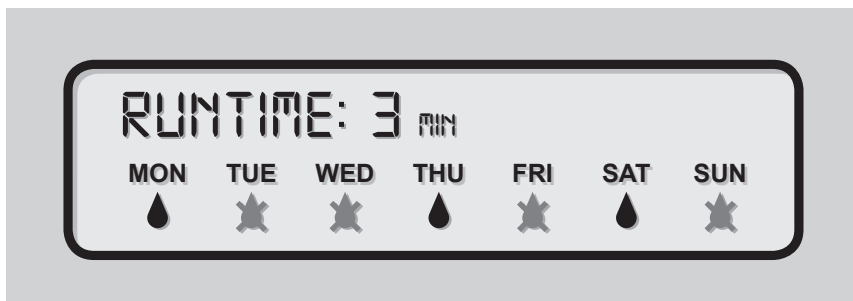
Monitor the planting media over the course of a week and observe the moisture level in the planting media. Repeat irrigation cycle when the moisture level is low.



IRRIGATION TIMER EXAMPLE

IRRIGATION SETUP USING 2 LITRE PER HOUR DRIP EMITTERS (2 L/H)

3 Watering days per week, 3 Minutes Runtime for each day. Each planter tray receives a total 300ml per week.

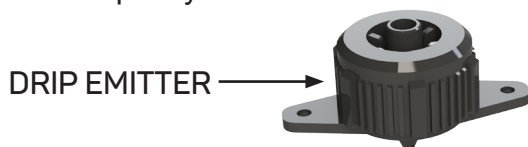


Note: The above process and example is a a guide only. The irrigation schedule will vary based on the environment and plant selection.

IRRIGATION CAPACITY

GRO-WALL® Slim Pro has 23 Drip Emitters per square metre.

When using 2 L/hr drip emitters this will provide a capacity of 46 L/hr.



WATER CONSUMPTION

The moisture levels in the soil mix will change over time due to the following;

- Seasonal Changes
- Hot & Cold Weather
- Wind Conditions
- Water Consumption by Plant
- Air Humidity

PLANTING

Growing Media

Recommended planting media should consist of 60% inorganic material and 40% organic material and free draining . Use of quality organics is recommended. Soils that contain clay cannot be used.

GROWING MEDIA

INORGANIC 60%

ORGANIC 40%



Potting Mix
(Organic Matter)



Coco Peat / Coya
(Organic Matter)



Fertilizer
(Pelletized)



Inorganic Material
(Volcanic Rock, Perlite,
Vermiculite, Recycled
Aggregate)

Planting

Gro-Wall® Slim Pro kits contain planter trays with a high quality geotextile pad. The planter trays provide excellent drainage and moisture retention for optimal plant growth. The planter tray design allows easy access for maintenance.



Empty planter tray.



Step 1 - Place geotextile pad into base of planter tray.



Step 2 - Pour in half of soil mix.



Step 3 - Position plant into planter tray.



Step 4 - Compact soil mix around plant.



Step 5 - Fill remainder of planter tray with soil mix.

MAINTENANCE

Working at Heights

Ensure that all work conducted at heights is in accordance with the safety regulations of the state or territory you are working in. For tall installations that require rope access, must be performed by accredited trained staff with appropriate licences and permits.

Green Waste & Pruning

Gro-Wall® installations must be maintained on a regular basis to ensure healthy plant growth. The main considerations are to keep the plants free from green waste. Some plant species will require pruning as their growth may overshadow other plants species located below in the Gro-Wall® installation and prevent their growth due to a lack of light. Pruning of plant species that grow over underlying plants will ensure the overall success of the Gro-Wall® installation. If pruning is required the frequency should be undertaken at a minimum every 3 months.

Inspect & Test Irrigation System

The irrigation system must be checked on a regular basis to ensure operational success. Irrigation drip emitters can fail over time and this can cause a lack of water to individual plants which can lead to plant death. Generally drip emitters will provide many years of functional operation. Faulty drip emitters can be readily replaced during the maintenance program. If any individual plants fail, it may be an indicator that there is a faulty drip emitter.

Adjust Irrigation Timing

The timing of the irrigation system must be adjusted to suit the environmental location of the installation. Generally the timing is adjusted during the maintenance period.

Add Fertiliser

Fertiliser can be added every 6 months to 12 months.

	INDOOR INSTALLATION	OUTDOOR INSTALLATION
DESCRIPTION	FREQUENCY	FREQUENCY
Green Waste Removal	Every 3 Months	Every 3 Months
Inspect & Test Irrigation	Every 3 Months	Every 3 Months
Adjust Irrigation Timing	Every 6 Months	Every 6 Months
Add Fertiliser	Every 6 Months	Every 6 Months



Gro-Wall[®]

VERTICAL GARDEN SYSTEM



ATLANTIS CORPORATION AUSTRALIA PTY LTD

Phone: (02) 9417 8344

Fax: (02) 9417 8311

Email: info@atlantiscorp.com.au

Web: www.atlantiscorp.com.au

Note: Atlantis products are manufactured from carefully selected recycled materials that meet or exceed Atlantis material specifications and product performance requirements. The strength of the recycled plastic could vary due to raw material composition, country of manufacture, manufacturing process and external conditions. All trademarks and Patents are the property of Astral Property Pty Ltd.

Disclaimer: All information provided in this publication is correct to the best knowledge of the company and is given out in good faith. This information is intended only as a general guide, no responsibility can be accepted for any errors, omissions or incorrect assumption. As each project is unique, and as Atlantis Corporation Australia Pty Ltd and its distributors and agents world wide have no direct control over the methods employed by the user in specifying, installing or supervising of its products hence no responsibility is accepted by Atlantis Corporation Australia Pty Ltd and its distributors and agents world wide. Users should satisfy themselves as to the suitability of the product for their purpose. All product designs, and specification are subject to change without further notice. All Atlantis products are tested in approved laboratories, and adequate factors of safety should be practiced in the actual field, to compensate for any unforeseen situations, on site and on products. All material contained within this brochure is subject to copyright, and belongs to Atlantis Corporation Australia Pty Ltd. No part of this brochure may be reproduced or transmitted in any form or by any means, electronic, mechanical, photocopying, recording or otherwise, without prior written permission of Atlantis Corporation Australia Pty Ltd. Copyright @ 2017