

BASELINE MARQUEE



Our Baseline Marquee is constructed with heavy duty 2.5" aluminum tubing with extended sleeves on the footpads for extra reinforcement. The frame uses a tension wire system to support the roof and increase the strength and stability of the canopy. The top is made of Fire Retardant PVC Vinyl which can be digitally printed with full color graphics. Also available in 10 different stock colors for unprinted shelters.

SINGLE PEAK



DOUBLE PEAK



Feature Specs

FRAME TYPE	ALUMINUM
FRAME LEG	DIAMETER: 2.5"
FOOT & CONNECTOR TYPE	INDUSTRIAL STEEL
MAX HEAD CLEARANCE	7'9" (2.4M)
FURTHER FEATURES	WATER PROOF
	UV PROTECTION
	FIRE RETARDANT VINYL
WARRANTY	FRAME: 2-5 YEARS
	PVC: 2-3 YEARS

PVC Stock Colors



Weighting Your Tent

Your Baseline Marquee MUST be weighted down properly at all times. Weighting requirements vary by your location, shelter size, and the manner of use. Most cities or event spaces will have minimum weighting requirements. Check with your municipality or arena. Shelter is not intended for use in Extreme Weather.

BASELINE MARQUEE



Hardware

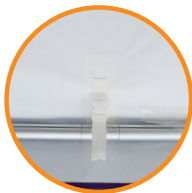
Corner Connector & Tension Wire Hook



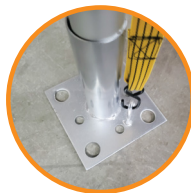
Peak Pole and Tension Wires



Valance Strap



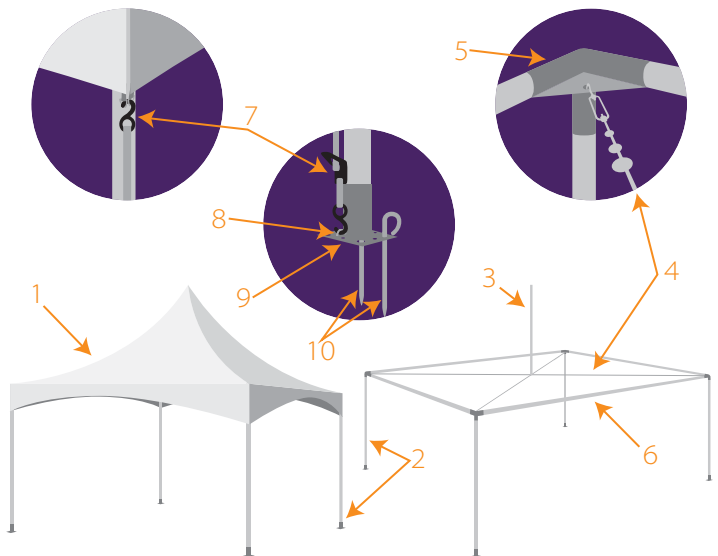
Footpad



Ratchet Rope



1	MARQUEE TOP
2	ALUMINUM LEG
3	PEAK POLE
4	CABLE WIRE
5	REINFORCED CORNER CONNECTOR
6	EXTENSION BAR
7	RATCHET ROPE
8	REINFORCED FOOTPAD HOOK
9	FOOTPAD
10	GROUND SPIKES



Custom Digital Print or Stock

Walls, Windows, and Doors

