



»» Storage Shed 6' x 8'

GP Item Number: 070018150 UPC Code: 852443008644

Features:

- 6' x 8' | 1.5" x 38mm POWDER COATED STEEL frame
- Horizontal side support bars for additional stability
- 180 gram tan polyethylene cover
- Fully Enclosed: 1 -Piece Top and Sides
- Removable Front wall
- Front End wall with Roll Up Door (three zippers)
- Solid rear end wall
- Metal Foot pad

Box Dimension: 50.8" x 13"x 9.8"
75 lbs.

The Storage Shed offers superior protection from rain, sun and snow. Great for storing garden tools, mowers, snow blowers, snowmobiles, ATVs, pool items, or anything you need to store out of sight.

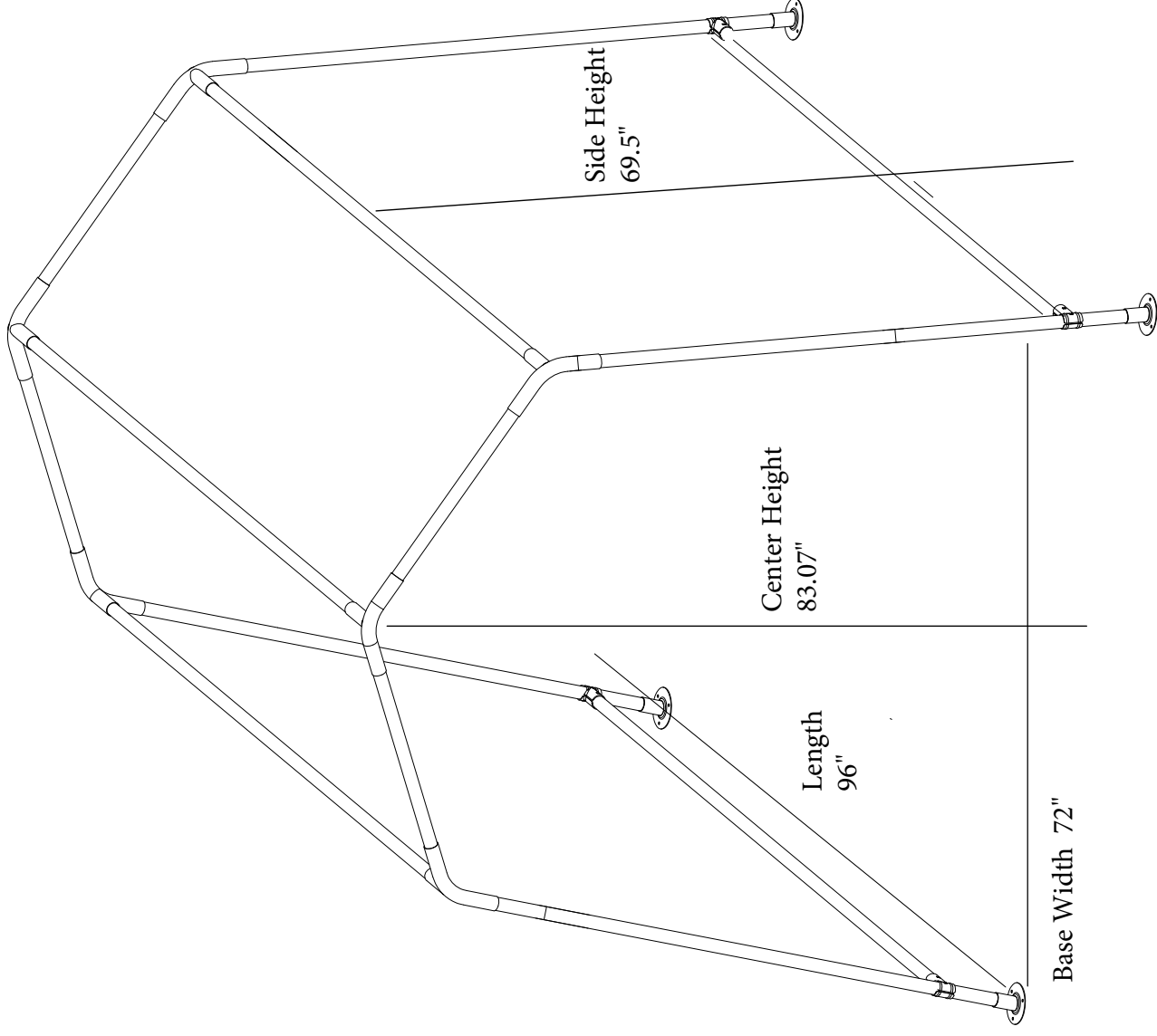


Front wall
Roll up door




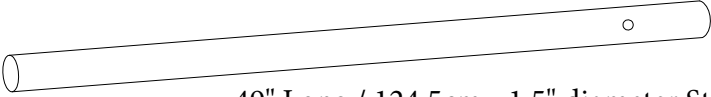
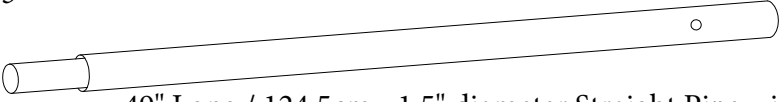

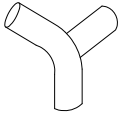
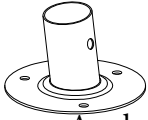



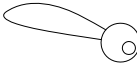
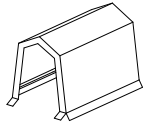
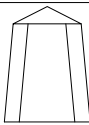
Impact Canopy USA 22600 Temescal Canyon Rd.
Corona, CA 92883 - US: 877.840.3524 x 2043

6' x 8' Storage Shed

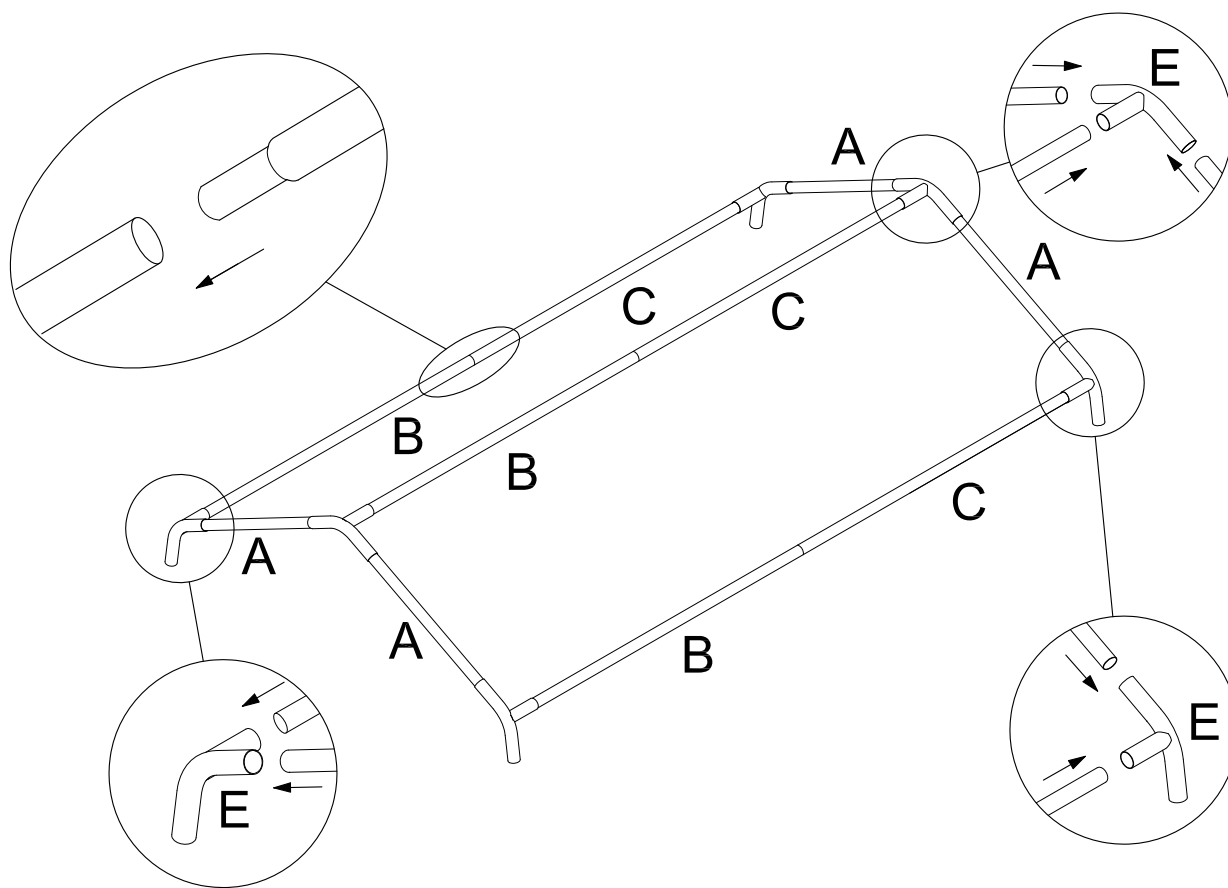


Door Width: 37.4
Door Height: 68.9"

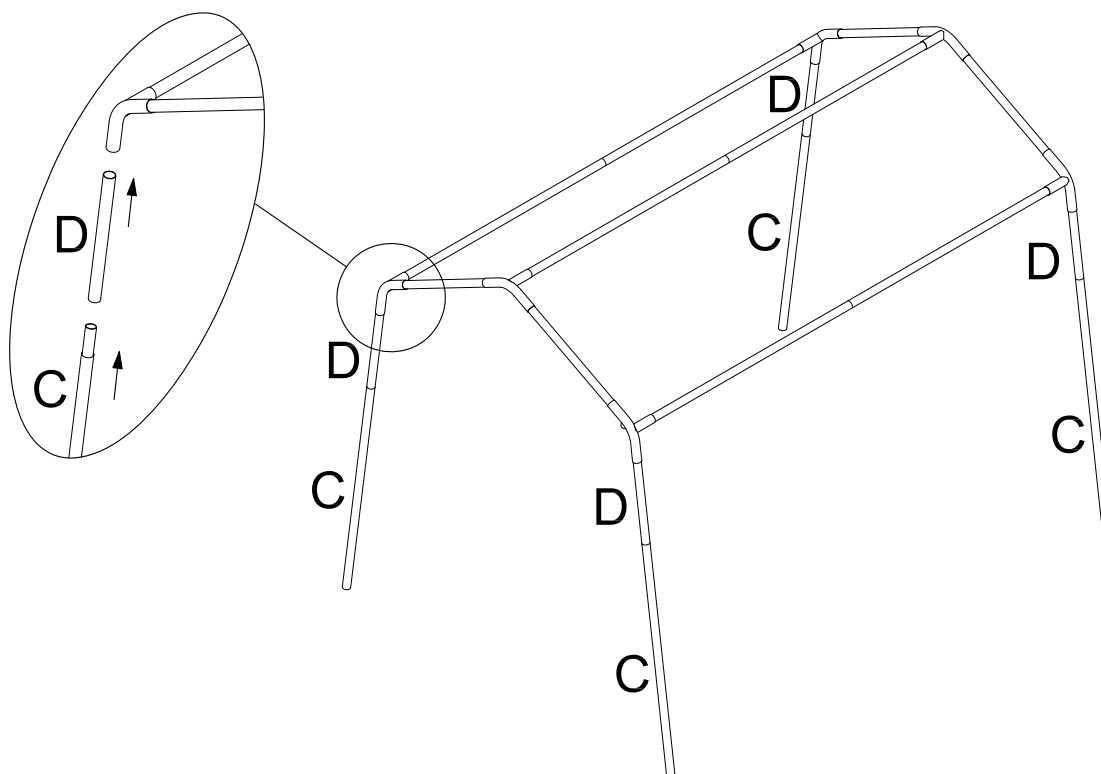
Brown Powder Coat Pipe & Fittings

PART	ILLUSTRATION	QTY
A	<p>400701601</p>  <p>24.2" Long / 61.5cm - 1.5" diameter Straight Pipe</p>	4
B	<p>400701602</p>  <p>49" Long / 124.5cm - 1.5" diameter Straight Pipe</p>	5
C	<p>400701603</p>  <p>49" Long / 124.5cm - 1.5" diameter Straight Pipe with Swedge end</p>	9
D	<p>400701604</p>  <p>20.8" Long / 53cm - 1.5" diameter Straight Pipe</p>	4
E	<p>400701605</p>  <p>3 Way Shed Fitting for 1.5" diameter pipe</p>	6
F	<p>400701606</p>  <p>Angled metal footpad for 1.5" diameter pipe</p>	4
G	<p>400701680</p> 	8
H	<p>400701682</p>  <p>Bolt with Washer used 1/2" socket</p>	4
I	<p>400701683</p>  <p>Lock Bolt with Washer and Nut uses 1/2" socket</p>	4
J	<p>070019907</p>  <p>8" Ball Bungees</p>	24
L	<p>070142008</p>  <p>1 - Piece Cover with Sides and End Wall</p>	1
M	<p>070341008</p>  <p>Front End Wall with Zippered Roll Up Door</p>	1

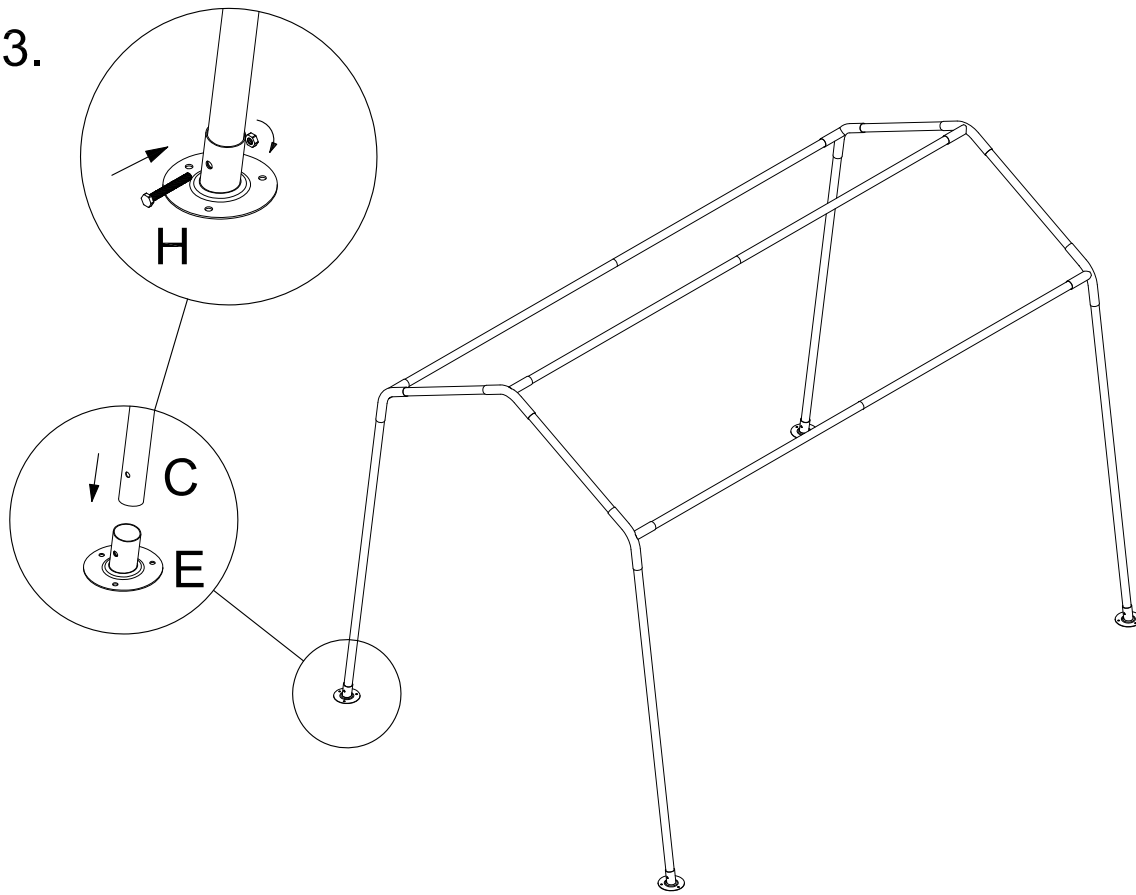
1.



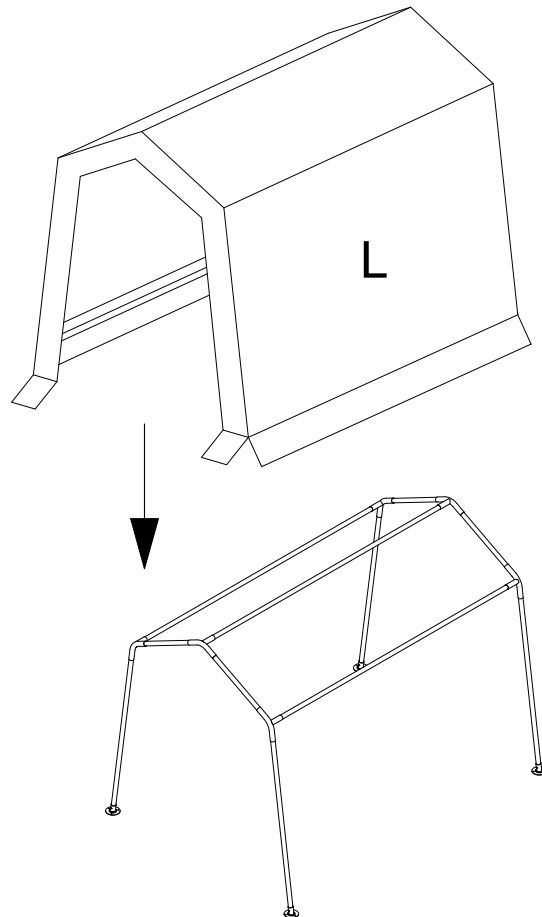
2.



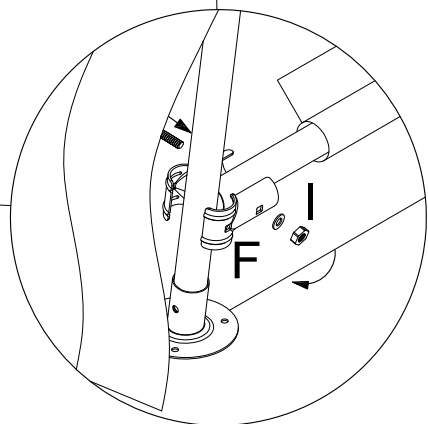
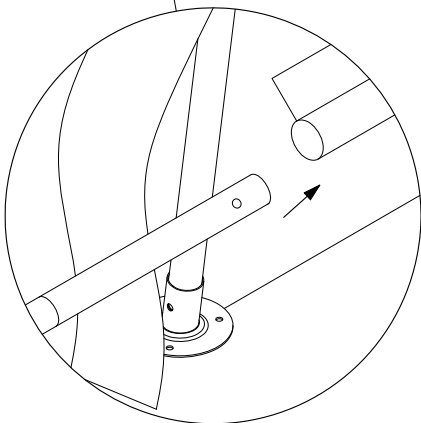
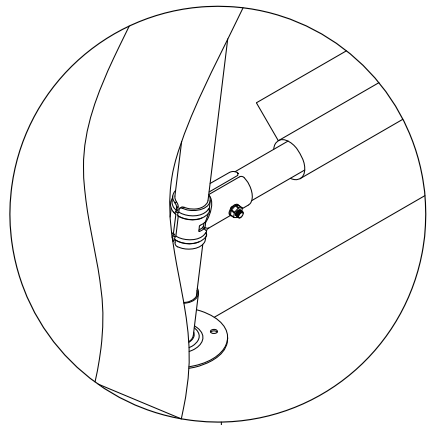
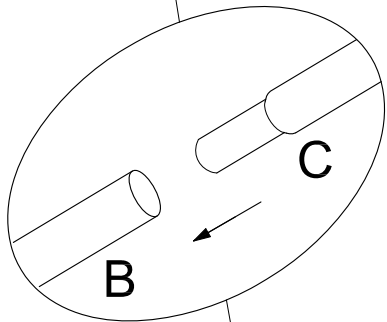
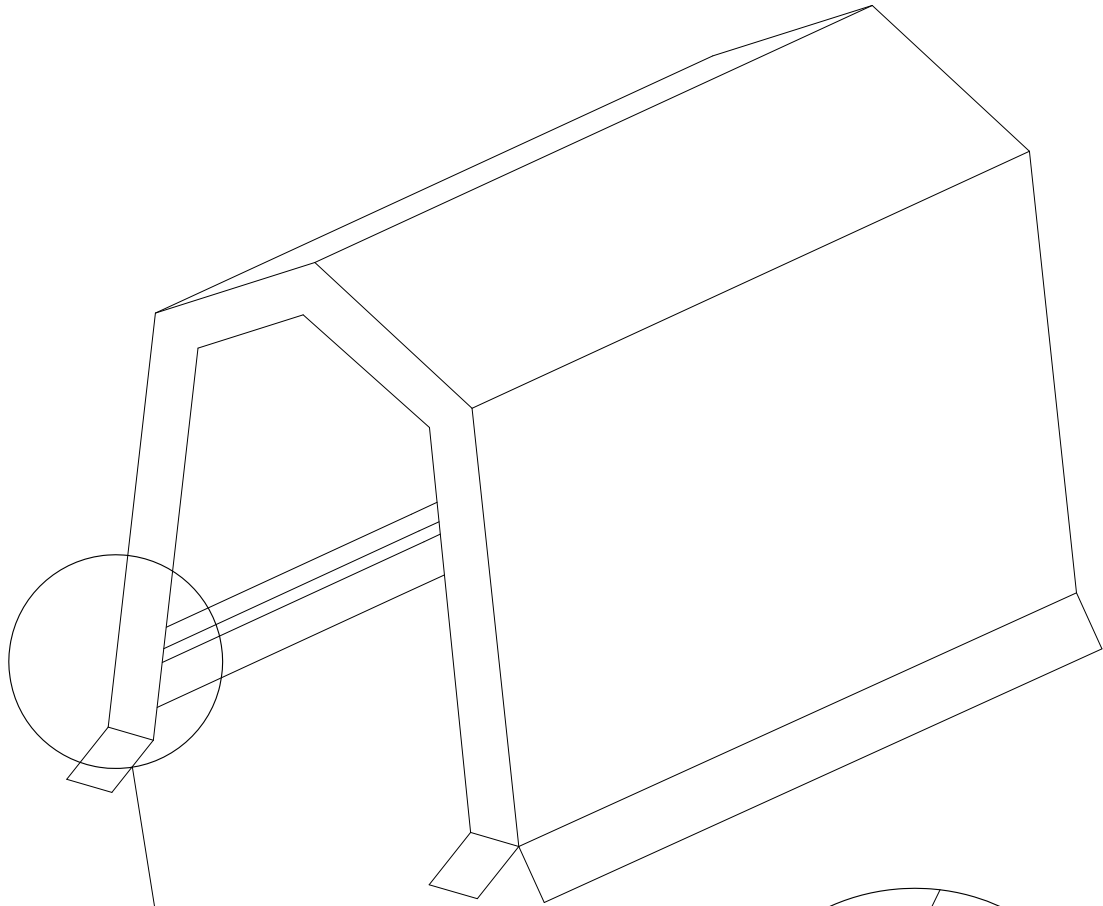
3.



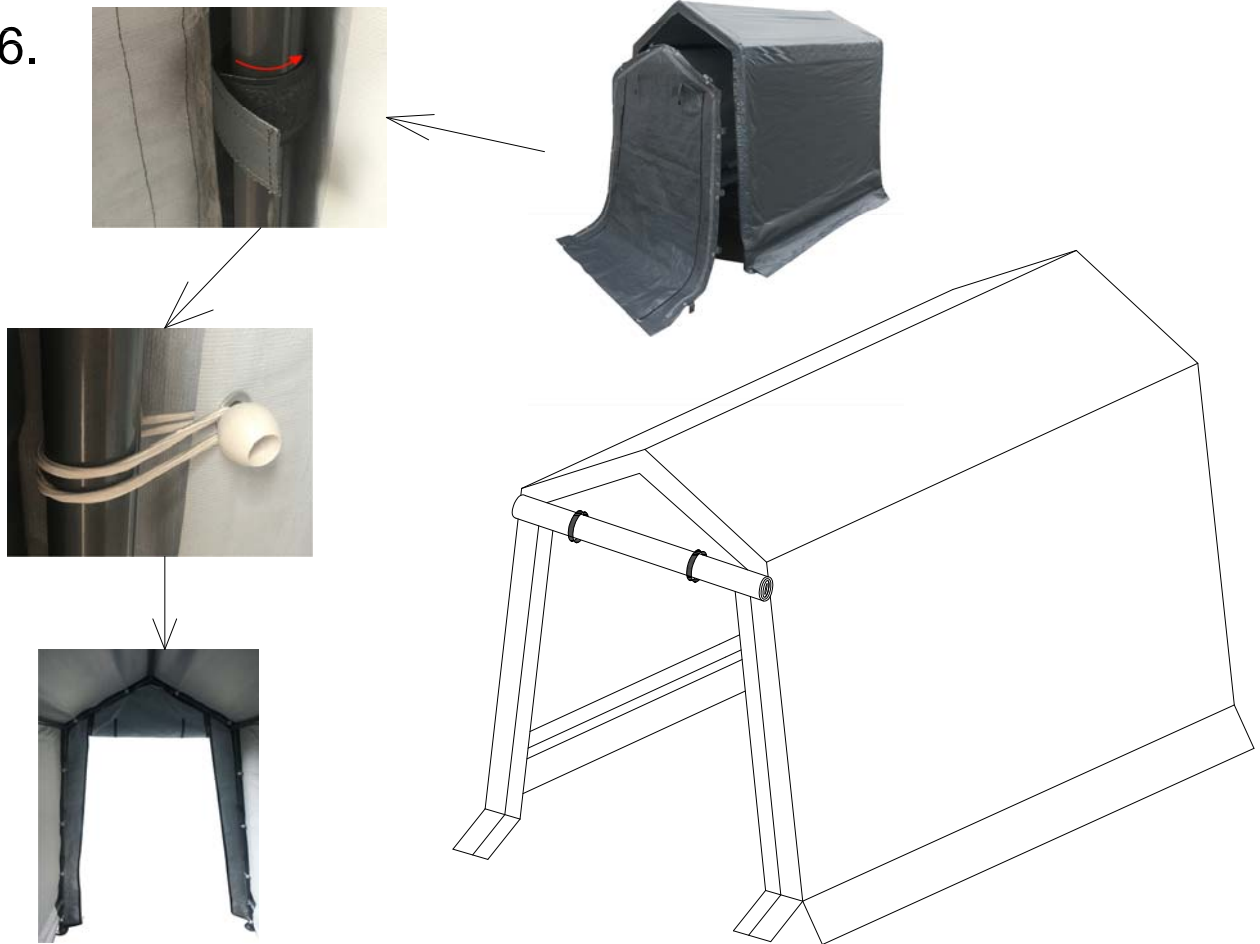
4.



5.



6.



7.

