



# RADAR DOME

## MARINE AIR CONDITIONING

### RT 12000 BTU DC 12V



## It's not a radar!

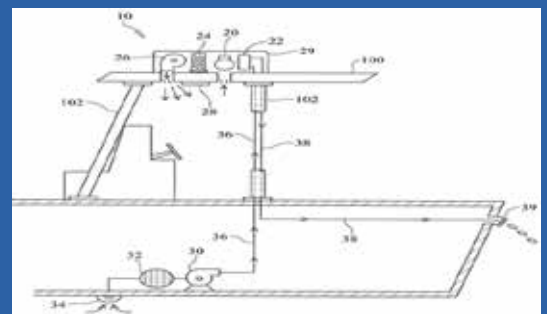
it's your new Marine HVAC in a radar dome!

**12000 BTU / 12V in a Rooftop!**

Mabru is introducing a new line of Self-Contained 12v DC Marine Air Conditioning units.

All of Mabru's experience and technology come together in this incredible unit. The unit, totally enclosed in the dome with a hermetic seal, include military copper antimicrobial evaporator and large copper tubes for better refrigerant flow, and come with Copper Antimicrobial evaporators, B30 condensing coil, heat and cool, digital touch control, raw water pump, high static pressure blowers, water and airflow safety sensors and a composite base.

Enjoy the fresh and dry air coming on your head and shoulders from the roof, share with your friends a unique experience when cruising and/or at the anchor!



### SPECIFICATIONS

- Refrigerant: 134a
- Sea Water pipe: 5/8
- Net weight lbs: 55 lb
- Power source: 12VDC
- Fan Blower (CFM): 380
- Heating capacity: 13000BTU
- Cooling capacity: 12300BTU
- Cooling Amp draw (H/L): 39/26amp
- Heating Amp draw (H/L): 42/29amp
- Raw Water Pump minimum: 250 GPH
- Minimum Return Air Grille Size: 38 Sq in
- Running time on a MPS 125 Amp 3 hours
- Measurements: Diameter 23"/ Height 17,7"
- Minimum Discharge Air Grille Size: 32 Sq in



**MABRU POWER SYSTEMS**  
1105 Old Griffin Rd, Dania Beach FL 33004  
[www.mabrupowersystems.com](http://www.mabrupowersystems.com)  
Phone: (+1) 954-467-1770