



ASSEMBLY INSTRUCTIONS:
BRAKIT • BRACKETS FOR
DIY TRIPOD STAND (89MM × 89MM POSTS)

MONTAGEANLEITUNG:
BRAKIT • HALTERUNGEN FÜR
DIY STATIVSTÄNDER (89MM × 89MM POLE)

INSTRUCTIONS DE MONTAGE:
BRAKIT • SUPPORTS POUR
TRÉPIED DE BRICOLAGE (89MM × 89MM PÔLES)

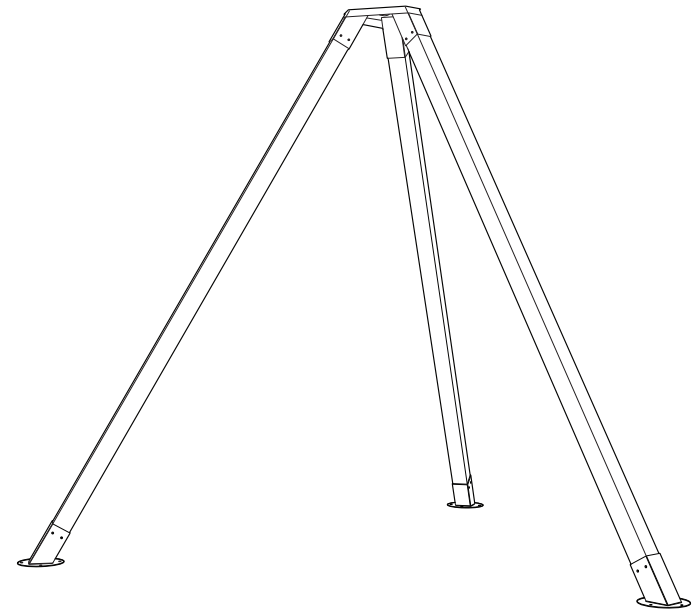
INSTRUCCIONES DE MONTAJE:
BRAKIT • SOPORTES PARA
TRÍPODE DE BRICOLAJE (POSTES 89MM × 89MM)

ISTRUZIONI PER IL MONTAGGIO:
BRAKIT • STAFFE PER
TREPIEDE FAI DA TE (89MM × 89MM POLI)

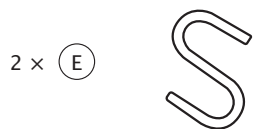
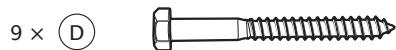
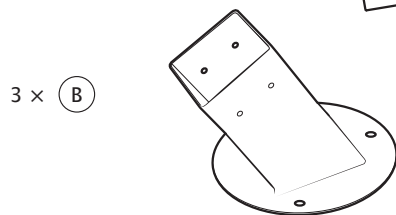
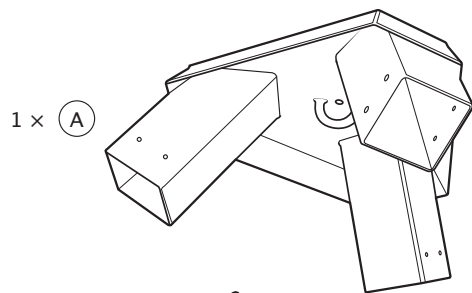
MONTAGE HANDLEIDING:
BRAKIT • BEUGELS VOOR
DOE-HET-ZELF STATIEF (89MM × 89MM PALEN)

BRAKIT4-TPOD

IMPORTANT, RETAIN FOR FUTURE REFERENCE: READ CAREFULLY
BITTE UNBEDINGT AUFBEWAHREN: SORGFÄLTIG LESEN
IMPORTANT, À CONSERVER POUR RÉFÉRENCE FUTURE: À LIRE ATTENTIVEMENT
IMPORTANTE, CONSERVAR PARA FUTURAS REFERENCIAS: LEER CON DETENIMIENTO
IMPORTANTE, DA CONSERVARE PER RIFERIMENTI FUTURI: LEGGERE ATTENTAMENTE
BELANGRIJK, OM TE BEWAREN: LEES ZORGVULDIG



BRAKIT4-TPOD.2022.EU



Make sure you have all of the parts listed.

Überprüfen Sie, ob Ihnen alle aufgelisteten Teile vorliegen.

Vérifier la présence de toutes les pièces indiquées.

Compruebe que tenga todas las piezas indicadas.

Assicurarsi che tutti gli elementi elencati siano presenti.

Zor ervoor dat u alle vermelde onderdelen heeft.

POSTS ARE NOT INCLUDED, customer to purchase separately.

STANGEN SIND NICHT ENTHALTEN, der Kunde muss separat kaufen.

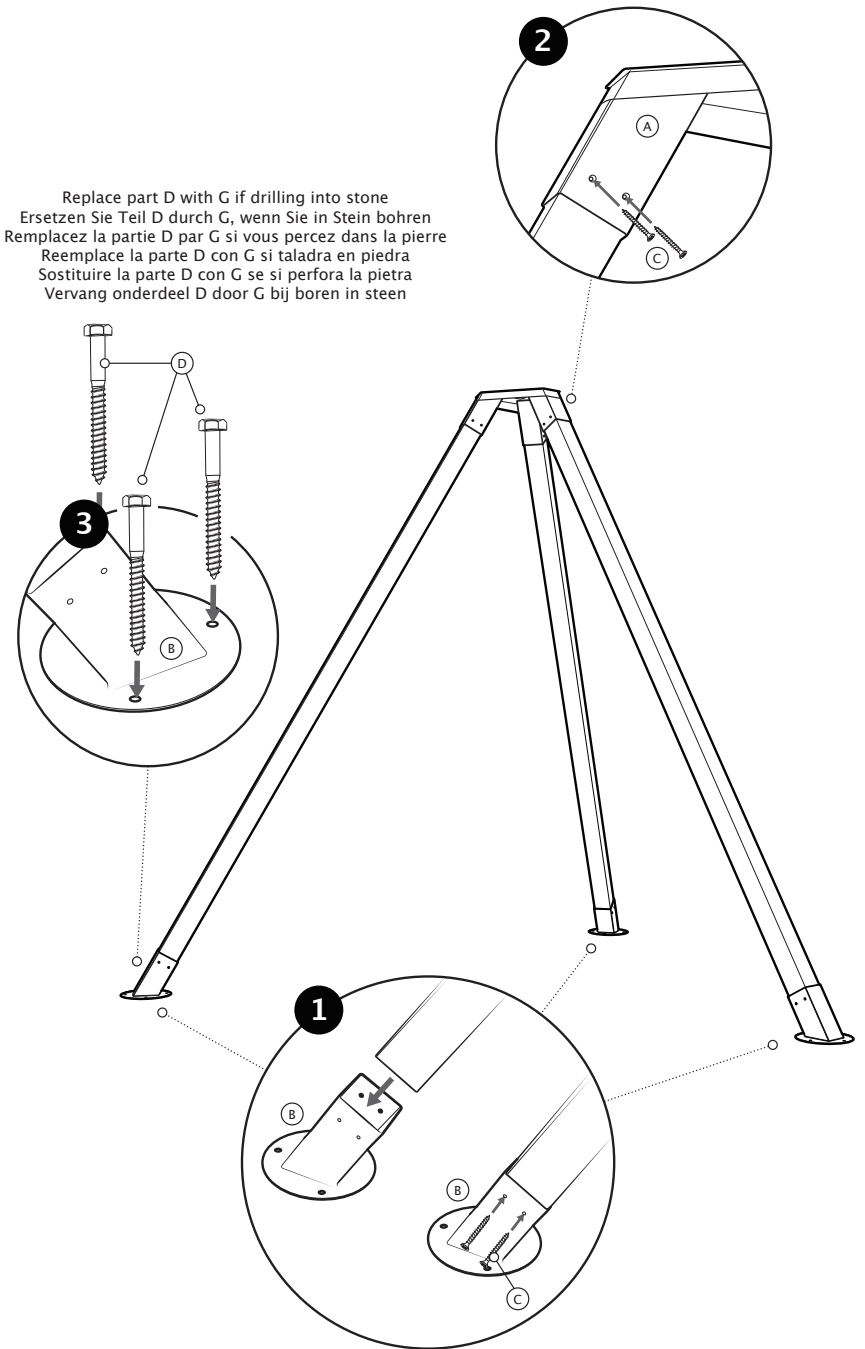
LES POTEAUX NE SONT PAS INCLUS, le client doit acheter séparément.

LOS POSTES NO ESTÁN INCLUIDOS, el cliente debe comprarlos por separado.

I PALI NON SONO INCLUSI, cliente da acquistare separatamente.

STALEN ZIJN NIET INBEGREPEN, klant apart te kopen.

Replace part D with G if drilling into stone
 Ersetzen Sie Teil D durch G, wenn Sie in Stein bohren
 Remplacez la partie D par G si vous percez dans la pierre
 Reemplace la parte D con G si taladra en piedra
 Sostituire la parte D con G se si perfora la pietra
 Vervang onderdeel D door G bij boren in steen



Do not tighten bolts until fully assembled.
 Schrauben erst nach Abschluss der Montage festziehen.
 Ne pas serrer les boulons avant d'avoir terminé le montage.
 No apriete los tornillos hasta que esté totalmente montado.
 Serrare i bulloni solo quando il prodotto è completamente assemblato.
 Draai bouten niet aan voordat het product volledig is gemonteerd.

TERMS AND CONDITIONS

1. The following terms and conditions of sale ("Terms and Conditions") shall govern the sale by Vivere Ltd., ("Vivere") of products (the "Product" or "Products") enclosed with these Terms and Conditions and in accordance with the term hereof, to you (the "Buyer"), which may be made available for sale in certain regions by a regional or national distributor under license with Vivere (the "Distributor" or the "Distributors"). Certain additional terms may accompany the Products and shall apply.

2. Vivere reserves the right to add, delete, or amend these Terms and Conditions without prior written notice at any time, at Vivere's sole discretion. The current version of the Terms and Conditions available at <http://www.vivereltd.com/> warranty shall govern and/or be applicable to any Buyer's warranty claim or otherwise at the time of such warranty claim is commenced by the Buyer.

3. Vivere warrants to the Buyer that only the following Products will be free from defects in materials and workmanship for the period of twelve (12) months from the date of purchase: Hammocks, Hammock Chairs, Hammock Accessories, Outdoor Seating, and Loungers. Defects shall exclude any normal wear and tear of goods; color fade from sunlight, mold, mildew odour; improper use of a Product; reckless or negligent use of a Product; use of a Product by a Buyer or a party with access and use of a Product (a "User") where the Buyer or User, knows or ought to have known that such Product was defective in any manner whatsoever; and any defects caused by modification, improper assembly, disassembly, or abnormal weather conditions or temperature.

Buyer's sole remedy and Vivere's sole obligation for breach of this warranty will be reasonable efforts to correct any non-conformance or, if this cannot be met in Vivere's sole discretion, the Buyer will receive a credit for, or a refund of, the purchase price (the "Limited Warranty"). Instructions and warnings related to the Products are attached.

4. The Limited Warranty shall be void if the Buyer fails to comply with all of the terms set forth in these Terms of Conditions, as well as where a Buyer or User: (1) knows or ought to have known that a Product was defective prior to the use of the Product; (2) uses the Product in a reckless or negligent manner; (3) improperly uses, assembles, disassembles, modifies the Product, or (4) fails to use the Product as directed. This Limited Warranty is the sole warranty offered by Vivere with respect to the Product, subject to these Terms and Conditions. Vivere does not assume any other liability in connection with the sale of the Product. No representative of Vivere is authorized to extend the Limited Warranty or to change it in any manner whatsoever. No warranty applies to any party other than the original Buyer. Any claims under the Limited Warranty may only be made to Vivere or a Distributor, as the case may be, and shall be inapplicable where a Product is returned to the seller where the Product was purchased.

5. VIVERE HEREBY DISCLAIMS ALL REPRESENTATIONS AND WARRANTIES OF ANY NATURE, WHETHER WRITTEN OR ORAL, EXPRESS OR IMPLIED BY LAW OR OTHERWISE, ARISING OUT OF OR RELATED TO THIS WARRANTY, THE PRODUCTS OR RESULTS DERIVED THEREFROM, INCLUDING WITHOUT LIMITATION, ANY WARRANTIES REGARDING ACCURACY, QUALITY, CORRECTNESS, COMPLETENESS, COMPREHENSIVENESS, SUITABILITY, COMPATIBILITY, MERCHANTABILITY, FITNESS FOR ANY PARTICULAR PURPOSE, OR OTHERWISE (IRRESPECTIVE OF ANY COURSE OF DEALING, CUSTOM, OR USAGE OF TRADE).

6. NOTWITHSTANDING ANYTHING CONTAINED IN THIS WARRANTY TO THE CONTRARY, IN NO EVENT SHALL VIVERE, ITS AFFILIATES AND SUBSIDIARIES, OR DISTRIBUTORS, OR ANY OF ITS OR THEIR RESPECTIVE DIRECTORS, OFFICERS, OR EMPLOYEES, BE LIABLE TO A BUYER, USER, OR ANY THIRD PARTY WHOSE CLAIM IS RELATED TO THIS WARRANTY, BE LIABLE UNDER ANY THEORY OF TORT, NEGLIGENCE, CONTRACT, OR OTHERWISE: (A) FOR LOST PROFITS, LOST REVENUES, LOST BUSINESS OPPORTUNITIES OR EXEMPLARY, PUNITIVE, SPECIAL, INCIDENTAL, INDIRECT, CONSEQUENTIAL, OR SIMILAR DAMAGES, EACH OF WHICH IS HEREBY EXCLUDED BY THIS WARRANTY, REGARDLESS OF WHETHER SUCH DAMAGES WERE FORESEEABLE OR WHETHER THE APPLICABLE ENTITY HAS BEEN ADVISED OF THE POSSIBILITY OF SUCH DAMAGES; OR (B) FOR ANY CLAIMS, DAMAGES, COSTS OF ANY NATURE IN EXCESS OF THE FEES PAID FOR THE PRODUCT BY THE BUYER, EXCLUDING ANY SALES TAXES APPLICABLE THERETO, AT THE TIME SUCH PRODUCT WAS PURCHASED. BUYER'S SOLE REMEDY FOR ANY DEFECTIVE PRODUCT WILL BE AS STATED ABOVE.

7. All Products made available by Distributors are sold without any additional warranty from Vivere, but may be accompanied by a Distributor's warranty, as may be provided in any documentation that accompanies the Product. Where a Product is made available by a Distributor, any warranty and technical support provided on a Product is provided by such Distributor, not by Vivere. Any warranties or technical support on Product made available by a Distributor shall be the sole responsibility and obligation of such Distributor and the Buyer shall have no recourse to enforce such warranty as against Vivere.

8. These Terms and Conditions shall be construed in accordance with the laws of the Province of Ontario and the laws of Canada applicable therein without regard to principles of conflict of laws. The United Nations Convention on Contracts for the International Sale of Goods and the Uniform Law on the Sale of Goods, the Uniform Law on the Formation of Contracts for the International Sale of Goods are expressly excluded. Subject to Section 6 above, without limiting the foregoing, Buyer and Vivere irrevocably and unconditionally: (a) agree that any suit, action, or other legal proceeding arising out of or relating to these Terms and Conditions must be brought in the Ontario Superior Court of Justice, in the City of Toronto; (b) consents to the exclusive jurisdiction of such court in any such suit, action or proceeding; (c) waives any objection to the laying of the venue of any such suit, action or proceeding in any such courts; and (d) waives any right that it may have to assert the defence of forum non-conveniens in any such suit, action or proceeding.

9. Warranty claims shall be made to:

Vivere Europe B.V. - Europa
info@vivereeurope.com
Tel: +31 46 426 35 55

Advertencias:

Este producto se ha diseñado para un peso máximo de 205 kg. No lo sobrepase. No se ponga de pie sobre el producto. Este producto solo debe usarse en una superficie firme y nivelada. Asegúrese de que la estructura permanezca en contacto con la superficie. Mantenga las piezas pequeñas fuera de alcance de los niños. No apriete los tornillos hasta que esté totalmente montado. No apriete los tornillos en exceso. Inspeccione y compruebe regularmente que los tornillos estén apretados. No utilice el producto si faltan piezas o si estas están dañadas o desgastadas.

Antes de empezar:

Saque todo los materiales de la caja. Compruebe que tenga todas las piezas indicada. Asegúrese de disponer de las herramientas adecuadas, así como de tener suficiente espacio, y una zona limpia y seca para el montaje.

Instrucciones de mantenimiento:

Para limpiar, utilice una esponja humedecida con agua caliente jabonosa y seque con un trapo limpio y seco. No utilice limpiadores con base de disolventes, ya que pueden alterar el color o dañar el producto. Nunca utilice una manguera a presión o un limpiador para limpiar el producto. Nunca utilice estropajos ni productos de limpieza abrasivos o químicos. Recomendamos el uso de fundas para proteger el producto cuando no se utilice Durante los meses de frío y mal tiempo, el producto debería guardarse en lugar fresco y seco. Antes de guardarlo, asegúrese de que esté limpio y seco. La estructura es de acero con cubierta pulverizada. Cuando el acero se exponse al aire y a la humedad, se oxida. Cualquiera arañazo en la pintura debe restablecerse de inmediato con pintura de exterior para metales. D lo contrario, puede oxidarse. Evite que la tela esté en contacto con objetos afilados.

Avvertenze:

Questo prodotto è idoneo per un carico massimo di 205 chili. Non superare il limite di carico. Non stare in piedi sul prodotto. Questo prodotto deve essere utilizzato esclusivamente su una superficie solida e livellata. Assicurarsi che il telaio sia interamente poggiato sulla superficie. Tenere i componenti di piccole dimensioni fuori dalla portata dei bambini. Serrare i bulloni solo quando il prodotto è completamente assemblato. Non serrare eccessivamente i bulloni. Controllare che tutti i bulloni siano serrati e ispezionarli regolarmente. Non utilizzare il prodotto quando mancano degli elementi, se mostra dei segni di danneggiamento o di usura.

Prima di procedere:

Rimuovere tutti i materiali di imballaggio. Assicurarsi che tutti gli elementi elencati siano presenti. Assicurarsi di avere a portata di mano gli strumenti appropriati, e un ampio spazio pulito e asciutto per procedere con il montaggio.

Istruzioni per la cura:

Pulire il prodotto con una spugna e acqua calda saponata, poi asciugare con un panno asciutto e pulito. Non usare detergenti contenenti solventi perché potrebbero scolorire o danneggiare il prodotto. Non pulire mai il prodotto con l'idropulitrice. Non utilizzare mai sostanze abrasive o detergenti chimici. Consigliamo di coprire il prodotto per proteggerlo quando non viene utilizzato. Durante i mesi invernali e in caso di maltempo il prodotto dovrebbe essere riposto in un luogo fresco e asciutto. Prima di riporlo, assicurarsi che sia pulito e asciutto. Il telaio è in acciaio con rivestimento a polveri. Se l'acciaio viene esposto all'aria e all'umidità tenderà ad arrugginire. Eventuali graffi sulla vernice dovrebbero essere ritoccati immediatamente con della vernice metallica per esterni, per evitare la corrosione. Tenere gli oggetti appuntiti a distanza dal tessuto.

Waarschuwingen:

Dit product is bedoeld voor een maximaal gewicht van 205 kg. Niet overschrijden. Ga niet op het product staan. Dit product mag alleen gebruikt worden op een stevige, vlakke ondergrond. Let er op dat het frame in contact blijft met de ondergrond. Houd kleine onderdelen buiten het bereik van kinderen. Draai bouten niet aan voordat het product volledig is gemonteerd. Niet te vast schroeven. Controleer of alle bouten zijn aangedraaid en inspecteer deze regelmatig. Gebruik het product niet als er onderdelen ontbreken, beschadigd of versleten zijn.

Voordat u begint:

Verwijder alle verpakkingsmateriaal. Controleer of u alle genoemde onderdelen heeft. Zorg ervoor dat u het juiste gereedschap bij de hand heeft, veel ruimte en een schone, droge ruimte voor de montage.

Onderhoudsinstructies:

Reinig met een spons en warm sopje. Daarna drogen met een droge doek. Gebruik geen oplosmiddelhoudende reinigingsmiddelen, omdat deze het product kunnen beschadigen. Gebruik nooit een hogedrukslang of reiniger om het product te reinigen. Gebruik nooit schuurponsjes, schuurmiddelen of chemische reinigingsmiddelen. Wij adviseren het gebruik van een afdekhoes wanneer u het product niet gebruikt. Bij slecht weer en in de winter maanden adviseren wij het product op te slaan op een koele, droge plaats. Zorg dat de materialen schon en droog zijn alvorens op te slaan. Het frame is van gepoedercoat staal. Wanneer staal wordt blootgesteld aan lucht en vocht het zal roesten. Staal zal roesten wanneer het aan de lucht en vocht wordt blootgesteld. Krassen op de lak moet onmiddellijk worden hersteld met passende buitenverf, anders kan corrosie optreden. Voorkom dat de stof in aanraking komt met scherpe voorwerpen. Het frame is van gepoedercoat staal. Wanneer staal wordt blootgesteld aan lucht en vocht het zal roesten. Staal zal roesten wanneer het aan de lucht en vocht wordt blootgesteld. Krassen op de lak moet onmiddellijk worden hersteld met passende buitenverf, anders kan corrosie optreden. Voorkom dat de stof in aanraking komt met scherpe voorwerpen. Het frame is van aluminium. Voorkom dat de stof in aanraking komt met scherpe voorwerpen.

VERKAUFSBEDINGUNGEN

Warnings:

This product is intended for a maximum of 205 kg. Do not exceed.
Do not stand on the product.
This product should only be used on a firm, level surface. Ensure the frame remains in contact with the surface.
Keep small parts out of reach of children.
Do not tighten bolts until fully assembled. Do not over tighten bolts.
Check that all bolts are tightened and inspected regularly.
Do not use the product if parts are missing, damaged, or worn.

Before You Start:

Unwrap all packaging materials
Make sure you have all the parts listed.
Make sure that you have the right tools at hand, plenty of space and a clean, dry area for assembly.

Care Instructions:

To clean, wipe with a sponge and warm soapy water then wipe with a dry, clean cloth.
Do not use solvent based cleaners as they can bleach or damage the product
Never use a pressure hose or washer to clean the product.
Never use scourers Abrasive or chemical cleaner.
We recommend furniture covers to protect your product when not in use. During bad weather and winter months the product should be stored in a cool, dry place. Before storage, ensure that it is clean and dry.
The frame is powder coated steel. When steel is exposed to air and moisture it will rust. Any scratches on the paintwork should be touched up immediately with metal exterior paint, otherwise corrosion may occur.
Avoid bringing the fabric into contact with sharp objects.

Achtung:

Dieses Produkt ist für ein Gewicht von höchstens 205 kg geeignet. Dieses Maximalgewicht darf nicht überschritten werden.
Nicht auf dem Produkt stehen.
Dieses Produkt bitte nur auf festen, ebenen Untergründen nutzen. Stellen Sie sicher, dass der Rahmen in Berührung mit dem Untergrund bleibt.
Kleinteile außerhalb der Reichweite von Kindern aufbewahren.
Schrauben erst nach Abschluss der Montage festziehen. Schrauben nicht zu fest anziehen.
Überprüfen Sie regelmäßig, ob alle Schrauben festgezogen sind.
Produkt nicht nutzen, wenn Teile fehlen, beschädigt oder abgenutzt sind.

Bevor Sie beginnen:

Entfernen Sie alle Verpackungsmaterialien.
Überprüfen Sie, ob Ihnen alle aufgelisteten Teile vorliegen.
Stellen Sie sicher, dass Sie das richtige Werkzeug, genug Platz und eine saubere, trockene Fläche für die Montage haben.

Pflegeanweisungen:

Zur Reinigung mit einem Schwamm und Seifenwasser abwaschen und mit einem trockenen, sauberen Tuch abwischen. Bitte keine Flüssigwaschmittel verwenden, da diese das Produkt bleichen oder beschädigen können. In keinem Fall das Produkt mit einem Hochdruckwasserschlauch oder Hochdruckreiniger abspritzen. Niemals Scheuerlappen, Scheuermittel oder chemische Reinigungsmittel verwenden.
Wir empfehlen, das Produkt, wenn nicht in Gebrauch, mit Möbelabdeckungen zu schützen. Bei schlechtem Wetter und in den Wintermonaten sollte das Produkt an einem kühlen, trockenen Ort gelagert werden. Stellen Sie vor der Lagerung sicher, dass das Produkt sauber und trocken ist.
Der Rahmen besteht aus puderbeschichtetem Stahl. Wenn Stahl Luft und Feuchtigkeit ausgesetzt ist, rostet er. Kratzer auf der Farbe sollten zur Vermeidung von Rostbildung sofort mit Außenfarbe für Metall ausgebessert werden.
Vermeiden Sie, dass der Stoff mit scharfen Gegenständen in Berührung kommt. .

Avertissements:

Ce produit supporte un poids maximum de 205 kg. Ne pas dépasser ce poids.
Ne pas se tenir debout sur le produit.
Utiliser ce produit uniquement sur une surface plane solide. Veiller à ce que le cadre reste en contact avec la surface.
Tenir les petites pièces hors de la portée de enfants.
Ne pas serrer les boulons avant d'avoir terminé le montage. Ne pas serrer les boulons trop fort.
Vérifier que tous les boulons sont serrés et contrôler ce point régulièrement.
Ne pas utiliser le produit en cas de perte, de dommage ou d'usure des composants.

Avant le montage:

Ouvrir tous les emballages.
Vérifier la présence de toutes les pièces indiquées.
Veiller à disposer des outils adéquats, d'un espace suffisant et d'un lieu sec et propre pour le montage.

Instructions d'entretien:

Nettoyer avec une éponge et de l'eau tiède savonneuse, puis essuyer avec un chiffon propre et sec. Ne pas utiliser de nettoyeurs à base de solvant, car ils peuvent décolorer ou endommager le produit.
Ne jamais utiliser de tuyau ou de nettoyeur haute pression pour nettoyer le produit.
Ne jamais utiliser de tampons à récurer ni de nettoyeurs chimiques ou abrasifs.
Nous recommandons de couvrir le produit avec une housse de protection lorsqu'il n'est pas utilisé. Pendant l'hiver ou par mauvais temps, ranger le produit dans un endroit sec et frais. Le produit doit être propre et sec avant d'être rangé.
Le cadre est en acier revêtu de peinture poudre. L'acier exposé à l'air et à l'humidité rouille. Toute rayure sur la peinture doit être immédiatement traitée avec une peinture extérieure pour métal pour éviter la corrosion. Éviter tout contact du tissu avec des objets tranchants.

1. Die folgenden Verkaufsbedingungen (die „Verkaufsbedingungen“) gelten für den Verkauf von Produkten (das „Produkt“ bzw. die „Produkte“), denen diese Verkaufsbedingungen beigefügt sind, durch Vivere Ltd. („Vivere“) bzw. gegebenenfalls über einen regionalen oder nationalen von Vivere Lizenzierten Händler (der bzw. die „Verkäufer“) an Sie („Käufer“). Für bestimmte Produkte können zusätzliche Bestimmungen gelten. Diese sind dem betreffenden Produkt beigefügt.

2. Vivere behält sich das Recht vor, die vorliegenden Verkaufsbedingungen jederzeit ohne vorherige schriftliche Mitteilung und nach eigenem Ermessen zu ergänzen, zu streichen oder zu ändern. Auf sämtliche Reklamationen seitens des Käufers findet die aktuelle Fassung dieser Verkaufsbedingungen bzw. die zum Zeitpunkt der Reklamation gültige Fassung Anwendung. Die jeweils aktuell gültige Fassung dieser Verkaufsbedingungen steht unter <http://www.vivereitd.com/warranty> zur Einsicht zur Verfügung.

3. Vivere garantiert gegenüber dem Käufer ausschließlich für die folgenden Produkte, dass diese für die Dauer von zwölf (12) Monaten ab dem Kaufdatum frei von Material- und Herstellungsmängeln sind: Hängematten, Hängestühle, Hängemattenzubehör, Outdoor-Sitzmöbel und Loungesessel. Von der Garantie ausgeschlossen sind der normale Verschleiß der Produkte sowie Mängel, Farbverblasen durch Sonne, Schimmel, schlechter Geruch, die zurückzuführen sind auf die unsachgemäße Nutzung der Produkte, die leichtertige oder fahrlässige Nutzung der Produkte, die Nutzung der Produkte durch den Käufer oder Dritte mit Zugang zu den Produkten („Nutzer“), wenn der Käufer oder Nutzer weiß oder hätte wissen müssen, dass das Produkt in irgendeiner Weise mangelhaft war, sowie Mängel, die auf die Veränderung, die unsachgemäße Montage, die Demontage oder ungewöhnliche Witterungs- oder Temperaturbedingungen zurückzuführen sind.

Im Falle des Verstoßes gegen diese Garantie besteht das einzige Rechtsmittel des Käufers und die einzige Verpflichtung von Vivere in der nach besten Kräften durchgeführten Nachbesserung bzw., sofern eine Nachbesserung im Ermessen von Vivere möglich ist, in der Gewährung einer Gutschrift oder der Rückerstattung des Kaufpreises an den Kunden („beschränkte Garantie“). Das Produkt ist mit Nutzungs- und Warnhinweisen versehen.

4. Die beschränkte Garantie verfällt, wenn der Käufer gegen eine oder mehrere der in diesen Verkaufsbedingungen dargelegten Bedingungen verstößt oder wenn der Käufer oder ein Nutzer: (1) weiß oder hätten wissen müssen, dass das Produkt vor der Nutzung bereits einen Mangel aufwies; (2) das Produkt in leichtsinniger oder fahrlässiger Weise nutzt; (3) das Produkt in unsachgemäßer Weise nutzt, montiert, demontiert oder verändert; oder (4) das Produkt nicht gemäß den Nutzungsanweisungen nutzt. Diese beschränkte Garantie ist die einzige von Vivere im Rahmen der vorliegenden Verkaufsbedingungen in Bezug auf das Produkt angebotene Garantie. Vivere übernimmt keinerlei Haftung im Zusammenhang mit dem Verkauf des Produkts. Kein Vertreter von Vivere ist berechtigt, die beschränkte Garantie in irgendeiner Form zu verlängern oder zu verändern. Die beschriebene Garantie gilt ausschließlich für den ursprünglichen Käufer. Sämtliche Reklamationen im Rahmen der beschränkten Garantie sind ausschließlich an Vivere bzw. an einen Händler zu richten; Reklamationen beim Verkäufer, bei dem das Produkt erworben wurde, werden nicht angenommen.

5. VIVERE MACHT KEINERLEI ZUSICHERUNGEN UND GARANTIE – GLEICH WELCHER ART, GLEICH OB SCHRIFTLICH ODER MÜNDLICH, GLEICH OB AUSDRÜCKLICH ODER STILLSCHWEIGEND KRAFT GESETZES ODER ANDERWEITIG – AUS ODER IM ZUSAMMENHANG MIT DIESER GARANTIE, DEN PRODUKTEN ODER DARAUSS ABGELEITETEN ERGEBNISSEN, DARIN EINGESCHLOSSEN, JEDOCH NICHT BESCHRÄNKT AUF JEDWEDE GARANTIE IN BEZUG AUF FEHLERFREIHEIT, QUALITÄT, KORREKTHEIT, VOLLSTÄNDIGKEIT, UMFASSENDHEIT, EIGNUNG, KOMPATIBILITÄT, VERKEHRSFÄHIGKEIT, EIGNUNG FÜR EINEN BESTIMMTEN ZWECK ODER ANDERWEITIGES (UNGEACHTET JEDWEDER GESCHÄFTSGEPFLOGENHEITEN, HANDELSSITTEN ODER HANDELSBÄUCHE).

6. UNGEACHTET ENTWÄIGER ANDERSLAUTENDER BESTIMMUNGEN DIESER GARANTIEERKLÄRUNG HAFTEN VIVERE, DIE VERBUNDENEN UNTERNEHMEN UND TOCHTERUNTERNEHMEN VON VIVERE SOWIE DEREN JEWELIGEN VORSTÄNDE, GESCHÄFTSFÜHRER UND MITARBEITER IN KEINEM FALL, GLEICH OB IN FORM EINER VERTRAGS-, DELIKTS- ODER GEFÄHRDUNGSHAFTUNG ODER ANDERWEITIG, GEGENÜBER DEM KÄUFER, NUTZERN ODER SONSTIGEN DRITTEN BEI REKLAMATIONEN UNTER DIESER GARANTIE FÜR: (A) ENTGANGENEN GEWINN, ENTGANGENES EINKOMMEN, ENTGANGENE GESCHÄFTSMÖGLICHKEITEN ODER VERSCHÄRFTE ODER STRAFSCHADENSATZ NACH SICH ZIEHENDE SCHÄDEN ODER BESONDERE, NEBEN-, UNMITTELBARE, FOLGE- ODER ÄHNLICHE SCHÄDEN, GLEICH OB DIESE SCHÄDEN VORHERSEHBAR WAREN ODER NICHT; UND GLEICH OB DIE REKLAMIERENDE PERSON AUF DIE MÖGLICHKEIT SOLCHER SCHÄDEN HINGEWIESEN WURDE ODER NICHT; UND (B) FÜR SÄMTLICHE ANSPRÜCHE, SCHADENERSATZFORDERUNGEN UND KOSTEN JEDWEDER ART, DIE ÜBER DEN VOM KÄUFER ZUM ZEITPUNKT DES KAUFES FÜR DAS BETREFFENDE PRODUKT GEZAHLTEN PREIS (ABZÜGLICH ETWÄIGER UMSATZSTEUER) HINAUSGEHEN. IM FALLE VON PRODUKTMÄNGELN STEHT DEM KÄUFER AUSSCHLIESSLICH DAS OBEN BESCHRIEBENE RECHTMITTEL ZUR VERFÜGUNG.

7. Sämtliche über Händler bezogene Produkte werden ohne zusätzliche Garantie seitens Vivere verkauft; für solche Produkte gilt jedoch möglicherweise eine vom Händler gewährte Garantie, die, sofern eine solche Garantie gilt, dem Produkt beiliegt. Für sämtliche über Händler bezogenen Produkte gilt, dass etwaige Garantieleistungen und technische Supportleistungen vom Händler – und nicht von Vivere – ausgeführt werden. Sämtliche Verantwortlichkeiten und Pflichten im Zusammenhang mit von Händlern gewährten Garantien oder technischen Supportleistungen für Produkte übernehmen die betreffenden Händler, und der Käufer kann Vivere nicht für solche Garantien und Leistungen in Regress nehmen.

8. Die vorliegenden Vertragsbedingungen unterliegen dem Recht der Provinz Ontario und dem dort geltenden kanadischen Recht, ohne Berücksichtigung der Prinzipien des Kollisionsrechts. Die Anwendbarkeit des Übereinkommens der Vereinten Nationen über Verträge über den internationalen Warenkauf, das einheitliche Kaufgesetz und das einheitliche Gesetz über den Abschluss von internationalen Kaufverträgen wird hiermit ausdrücklich ausgeschlossen. Gemäß Absatz 6 dieser Verkaufsbedingungen und ohne Einschränkung des Vorstehenden erklären der Käufer und Vivere unwiderruflich und vorbehaltlos: (a) ihr Einverständnis damit, dass sämtliche Klagen, Verfahren oder sonstigen gerichtlichen Schritte aus oder im Zusammenhang mit den vorliegenden Verkaufsbedingungen vor das Ontario Superior Court of Justice in Toronto, Kanada, zu bringen sind; (b) ihre Zustimmung zur ausschließlichen Gerichtsbarkeit dieses Gerichts im Hinblick auf jedwede Klagen, Verfahren und gerichtlichen Schritte; (c) ihren Verzicht auf jedweden Widerspruch gegen die Bestellung dieses Gerichts als Gerichtsstand für jedwede Klagen, Verfahren und gerichtlichen Schritte; und (d) ihren Verzicht auf jedwede ihnen eventuell zustehenden Rechte auf die Einrede des Forum non conveniens im Hinblick auf etwaige Klagen, Verfahren und gerichtlichen Schritte.

9. Reklamationen sind per E-Mail, Telefon oder Fax an Vivere zu richten:

Vivere Europe B.V. – Europa
info@vivereurope.com
Tel: +31 46 426 35 55

CONDITIONS GÉNÉRALES

1. Les clauses et conditions de vente suivantes (ci-après « Conditions générales ») régissent la vente par Vivere Ltd., (« Vivere ») des produits (le « produit » ou « produits ») inclus avec lesdites Conditions et conformément aux présentes, à vous (ci-après « l'acheteur »), et qui peuvent être mis en vente dans certaines régions par un distributeur régional ou national sous licence avec Vivere (le « distributeur » ou les « distributeurs »). Certaines clauses additionnelles peuvent accompagner les produits et s'appliqueront.

2. Vivere se réserve le droit d'ajouter, de supprimer, ou de modifier les présentes Conditions générales sans communication écrite préalable et à tout moment, à la seule discrétion de Vivere. La version en vigueur des Conditions générales disponible sur le site <http://www.viverelt.com/warranty> régira et/ou sera applicable à tout appel en garantie de l'acheteur, ou au moment où ledit appel en garantie est initié par l'acheteur.

3. Vivere garantit à l'acheteur que seuls les produits suivants seront exempts de défauts de matériel et de main-d'œuvre pour une période de douze (12) mois à compter de la date d'achat : Hamacs, chaises de hamac, accessoires de hamac, sièges extérieurs et chaises longues. Les défauts excluront : toute usure normale des produits ; la décoloration de la couleur par le soleil, la moisissure, l'odeur de la moisissure ; utilisation erronée d'un produit ; utilisation négligente d'un produit ; l'utilisation d'un produit par un acheteur ou un tiers avec accès et utilisation d'un produit (un « utilisateur ») alors que l'acheteur ou l'utilisateur sait ou devrait savoir qu'un tel produit était défectueux de quelque façon que ce soit ; et tous défauts provoqués par modification, montage erroné, démontage, ou conditions atmosphériques ou de température anormales.

Pour tout défaut ressortissant à la garantie, le seul recours de l'acheteur et la seule obligation de Vivere se résument aux efforts raisonnables visant à remédier au défaut en question, ou, si cela n'est pas possible du seul avis de Vivere, l'acheteur recevra une note de crédit ou le remboursement du prix d'achat (la « garantie limitée »). Les instructions et avertissements afférents aux produits sont joints.

4. La garantie limitée sera sans effet si l'acheteur ne se conforme pas à toutes les clauses des présentes Conditions générales, ainsi que dans les cas où un acheteur ou un utilisateur : (1) sait ou aurait dû savoir qu'un produit était défectueux avant l'utilisation du produit ; (2) emploie le produit d'une façon négligente ; (3) utilise, assemble, démonte, modifie le produit de manière inappropriée, ou (4) n'emploie pas le produit selon les instructions afférentes. Cette garantie limitée est la seule garantie accordée par Vivere en ce qui concerne le produit, sans préjudice des présentes Conditions générales. Vivere n'assume aucune autre responsabilité liée à la vente du produit. Aucun représentant de Vivere n'est autorisé à prolonger la garantie limitée ou à la modifier de quelque manière que ce soit. Aucune garantie ne s'applique à une quelconque partie autre que l'acheteur original. Toutes les réclamations au titre de la garantie limitée sont à introduire uniquement auprès de Vivere ou d'un distributeur, selon le cas, et seront inapplicables lorsqu'un produit est retourné au vendeur sur le lieu d'achat dudit produit.

5. VIVERE DÉCLINE PAR LES PRÉSENTES TOUTE REPRÉSENTATION ET GARANTIE DE QUELQUE NATURE QUE CE SOIT, PAR ÉCRIT OU ORALEMENT, EXPRESSE OU IMPLICITE DE PAR LA LOI OU AUTRE, DÉCOULANT DE OU AFFÉRENTE À LA PRÉSENTE GARANTIE, AUX PRODUITS OU AUX CONSÉQUENCES QUI EN RÉSULTENT, Y COMPRIS, MAIS SANS S'Y LIMITER, TOUTE GARANTIE AFFÉRENTE À L'EXACTITUDE, LA QUALITÉ, LA CORRECTION, LA GLOBALITÉ, LA CONVENANCE, LA COMPATIBILITÉ, LE CARACTÈRE NÉGOCIABLE, L'ADÉQUATION À UN QUELCONQUE BUT PARTICULIER, OU AUTRE (INDÉPENDAMMENT DE TOUTE NÉGOCIATION, COUTUME, OU USAGE COMMERCIAL).

6. NONOBTANT TOUTE CLAUSE CONTRAIRE REPRISSE DANS LA PRÉSENTE GARANTIE, VIVERE, SES FILIALES ET SUCCURSALES, OU DISTRIBUTEURS, OU TOUT DIRIGEANT, CADRE OU COLLABORATEUR DE CELLE(S)-CI NE SERONT EN AUCUN CAS RESPONSABLES VIS-À-VIS D'UN ACHETEUR, UTILISATEUR, OU QUELCONQUE AUTRE TIERS DONT LE RECOURS EST LIÉ À LA PRÉSENTE GARANTIE, NI AU TITRE D'UNE QUELCONQUE THÉORIE D'ACTE DÉLICITUEL, DE NÉGLIGENCE, DE CONTRAT, OU AUTRE : (A) POUR DES BÉNÉFICES PERDUS, DES REVENUS PERDUS, DES OPPORTUNITÉS COMMERCIALES PERDUES OU DES DOMMAGES EXEMPLAIRES, PUNITIFS, SPÉCIAUX, FORTUITS, INDIRECTS, CONSÉCUTIFS, OU SIMILAIRES, LESDITS DOMMAGES ÉTANT EXCLUS PAR LA PRÉSENTE GARANTIE, INDÉPENDAMMENT DU FAIT QUE DE TELS DOMMAGES ÉTAIENT PRÉVISIBLES OU QUE L'ENTITÉ CONCERNÉE A ÉTÉ AVERTIE DE LA POSSIBILITÉ DE TELS DOMMAGES ; OU (B) POUR TOUT RECOURS, DOMMAGES, COÛTS DE QUELQUE NATURE QUE CE SOIT EN SUS DES FRAIS PAYÉS POUR LE PRODUIT PAR L'ACHETEUR, À L'EXCLUSION DE TOUTE TAXE SUR LES VENTES APPLICABLES EN LA MATIÈRE, AU MOMENT OÙ LEDIT PRODUIT A ÉTÉ ACHETÉ. L'UNIQUE RECOURS DE L'ACHETEUR POUR TOUT PRODUIT DÉFECTUEUX EST CELUI MENTIONNÉ CI-DESSUS.

7. Tous les produits disponibles chez les distributeurs sont vendus sans aucune garantie additionnelle de Vivere, mais peuvent être accompagnés d'une garantie de distributeur, comme éventuellement indiqué dans toute documentation qui accompagne le produit. Lorsqu'un produit est rendu disponible par un distributeur, toute garantie et tout support technique fournis avec un produit le sont par le distributeur en question et non pas par Vivere. Toute garantie ou tout support technique sur le produit rendu disponible par un distributeur sont de la seule responsabilité dudit distributeur et n'engagent que lui, et l'acheteur ne dispose d'aucun recours pour opposer une telle garantie à Vivere.

8. Les présentes Conditions générales seront interprétées selon le droit de la Province d'Ontario et les lois du Canada applicables en la matière, indépendamment des principes de conflit de lois. Sont expressément exclues la convention des Nations Unies sur les contrats de vente internationale de marchandises et la loi uniforme de vente de marchandises, ainsi que la loi uniforme sur la formation des contrats pour la vente internationale de marchandises. Sans préjudice de l'article 6 ci-dessus, sans limiter ce qui précède, l'acheteur et Vivere, de manière irrévocable et sans réserve : (a) conviennent que toute action ou procédure judiciaire découlant des ou afférente aux présentes Conditions générales devra être introduite devant la Cour supérieure de Justice de l'Ontario dans la ville de Toronto ; (b) acceptent la juridiction exclusive de ladite Cour pour toute action ou procédure ; (c) renoncent à toute objection quant à l'introduction de toute action ou procédure devant la juridiction en question ; et (d) renoncent à leur éventuel droit à la défense d'un « forum non-conveniens » lors de ladite action ou procédure.

9. Tout appel à la garantie doit être adressé à :

Vivere Europe B.V. – Europa
info@vivereurope.com
Tel: +31 46 426 35 55



VIVERE EUROPE B.V.
Tel: +31 46 426 35 55
info@vivereurope.com
www.vivereurope.com

RECLAMACIÓN PIEZA DE SUSTITUCIÓN CÓMO PRESENTAR UNA RECLAMACIÓN DE GARANTÍA

1. **Hacer fotografías.** Haga todas las fotografías que pueda del producto o productos defectuosos para aportar pruebas junto con su reclamación. Las fotografías deben mostrar claramente el defecto para ayudarnos a confirmar la elegibilidad de la reclamación.
2. **Adjuntar recibo de compra.** Proporcione el comprobante de compra original. Escanee o tome una foto de su comprobante de compra y envíelo con su reclamo junto con su dirección completa y número de teléfono.
3. **Enviarlo por correo electrónico.** Envíe su reclamación por correo electrónico a: info@vivereurope.com
4. **Respuesta.** Un representante de Vivere se pondrá en contacto con usted para resolver su reclamación lo antes posible.

Le agradecemos el interés mostrado en nuestros productos y esperamos que Vivere inspire su descanso al aire libre.

Atentamente,
Jason Stoter, Presidente, Vivere Europe B.V.

RICHIESTA – COMPONENTI DI RICAMBIO

COME PRESENTARE UNA RICHIESTA DI ASSISTENZA IN GARANZIA

1. **Scattare delle foto.** Scattare più foto possibili del/i prodotti difettosi, a dimostrazione del problema riscontrato. Le foto devono illustrare chiaramente il problema per consentirci di verificare la richiesta.
2. **Allegare la ricevuta di acquisto.** Fornire la ricevuta di acquisto originale. Scansiona o fotografa la tua ricevuta di acquisto e inviala insieme alla tua richiesta insieme al tuo indirizzo completo e numero di telefono.
3. **Invio tramite e-mail.** Inviare le richieste a: info@vivereurope.com
4. **Risposta.** Un rappresentante di Vivere vi assisterà per risolvere il più velocemente possibile la vostra richiesta.

Vi ringraziamo per il vostro interesse nei nostri prodotti e ci auguriamo Vivere possa rendere più piacevole la vostra vita all'aperto.

Cordiali saluti,
Jason Stoter, Presidente, Vivere Europe B.V.

CLAIM – ONDERDELEN

HOE KUNT U EEN KLACHT STUREN OF EEN VERVANGEND ONDERDEEL AANVRAGEN

1. **Maak foto's.** Maak s.v.p. zo veel mogelijk foto's van het defecte product om uw zaak aan te tonen. De foto's dienen duidelijk het tekort te illustreren.
2. **Voeg aankoopbewijs bij.** Het is ook noodzakelijk dat u het originele aankoopbewijs kunt overleggen. Scan of maak een foto van uw aankoopbewijs en stuur het samen met uw claim, volledige adres en telefoonnummer op.
3. **Versturen email naar:** info@vivereurope.com
4. **Antwoord.** We zullen samen met u naar een passende oplossing zoeken op de meest efficiënte manier.

Wij danken u voor uw interesse in onze producten. Vivere – Geïnspireerd Buiten Leven.

Met vriendelijke groet,
Jason Stoter, President, Vivere Europe B.V.



VIVERE EUROPE B.V
Tel: +31 46 426 35 55
info@vivereurope.com
www.vivereurope.com

CLAIM REPLACEMENT PART – HOW TO FILE A WARRANTY CLAIM

1. **Take photos.** Please take as many photos of the defective product(s) as you can to support your claim. The photos must clearly illustrate the impairment to help us confirm the claim.
2. **Attach proof of purchase.** Please provide the original proof of purchase. Please scan or take a photo of your proof of purchase and submit it with your claim along with your full address and phone number.
3. **Submit by email.** Please email your claim to: info@vivereurope.com
4. **Response.** A Vivere representative will work with you to resolve your claim as quickly as possible.

We thank you for your interest in our products and we hope Vivere can inspire your outdoor living.

Warmest Regards,
Jason Stoter, President, Vivere Europe B.V.

REKLAMATION – ERSATZTEILE REKLAMATION IM GARANTIEFALL

1. **Machen Sie Fotos.** Bitte machen Sie zum Nachweis Ihres Garantiefalls möglichst viele Fotos von dem/den mangelhaften Produkt(en). Stellen Sie sicher, dass der Mangel auf den Fotos deutlich zu erkennen ist. Nur so können wir den Mangel bestätigen.
2. **Legen Sie den Kaufbeleg bei.** Bitte legen Sie den Originalkaufbeleg bei. Bitte scannen oder nehmen Sie eine Foto Ihres Kaufbelegs und reichen Sie es zusammen mit Ihrer vollständigen Adresse und Ihrer Reklamation ein
Telefonnummer.
3. **Reklamation per E-Mail.** Bitte senden Sie Ihre Reklamation per E-Mail an: info@vivereurope.com
4. **Antwort.** Ein Vertreter von Vivere wird Ihre Reklamation gemeinsam mit Ihnen so schnell wie möglich bearbeiten.

Vielen Dank für Ihr Interesse an unseren Produkten. Wir hoffen, dass Vivere auch für Ihren Outdoor-Bereich eine Inspiration ist.

Mit herzlichen Grüßen
Jason Stoter, Präsident, Vivere Europe B.V.

RÉCLAMATION PIÈCE DE RECHANGE COMMENT INTRODUIRE UN APPEL EN GARANTIE

1. **Prenez des photos.** Veuillez prendre autant de photos que possible du ou des produits défectueux afin d'étayer votre réclamation. Les photos doivent clairement illustrer le défaut pour nous aider à confirmer la réclamation.
2. **Veillez joindre la preuve d'achat.** Veuillez fournir la preuve originale de l'achat. Scannez ou prenez une photo de votre réclamation avec votre adresse complète et votre numéro de téléphone.
3. **Envoyez par courrier électronique.** Veuillez envoyer votre réclamation à l'adresse électronique suivante : info@vivereurope.com
4. **Réponse.** Un collaborateur de Vivere vous aidera à résoudre votre réclamation aussi rapidement que possible.

Nous vous remercions de votre intérêt pour nos produits et nous espérons que Vivere est une source d'inspiration pour vos extérieurs.

Veillez agréer nos salutations distinguées.
Jason Stoter, président, Vivere Europe B.V.

CONDICIONES GENERALES

1. Las presentes Condiciones generales de venta ("Condiciones generales") regularán la venta por parte de Vivere Ltd., ("Vivere") de productos (el "Producto" o los "Productos") suministrados junto con estas Condiciones generales y de conformidad con el plazo de vigencia de las mismas, a usted (el "Comprador"), que pueden estar disponibles para la venta en ciertas regiones a través de un distribuidor regional o nacional en virtud de un contrato de licencia con Vivere (el "Distribuidor" o los "Distribuidores"). Es posible que algunos Productos vayan acompañados de condiciones adicionales que serán de aplicación legal.

2. Vivere se reserva el derecho de añadir, eliminar o modificar las presentes Condiciones generales sin previo aviso y en cualquier momento, a discreción exclusiva de Vivere. La versión actual de las Condiciones generales disponibles en <http://www.vivereitd.com/warranty> regularán y/o serán aplicables a cualquier reclamación de garantía presentada por un Comprador, o en el momento en que el Comprador inicie dicha reclamación de garantía.

3. Vivere garantiza al Comprador que solo los siguientes Productos estarán libres de defectos en los materiales y la mano de obra durante un periodo de doce (12) meses a contar desde la fecha de compra: hamacas, sillones hamaca, accesorios para hamacas, sillones de exterior y tumbonas. Los defectos no incluyen el uso y desgaste de los productos; el color se desvanece debido a la luz solar, moho, olor a moho; el uso indebido de un producto; el uso indebido o imprudente de un Producto; el uso de un Producto por parte de un Comprador o una persona con acceso y uso de un Producto (un "Usuario") donde el Comprador o el Usuario sabe o debería haber sabido que dicho Producto estaba defectuoso en modo alguno; así como cualquier otro defecto provocado por la modificación, el montaje incorrecto, el desmontaje o condiciones anómalas de temperatura o clima.

El único recurso del Comprador y la única obligación de Vivere ante el incumplimiento de esta garantía, serán todos los esfuerzos razonablemente posibles por corregir cualquier incumplimiento o, si esta medida no es razonable a discreción de Vivere, el Comprador recibirá un abono o un reembolso del precio de compra (la "Garantía limitada"). El producto viene acompañado de las instrucciones y advertencias relacionadas.

4. La Garantía limitada se declarará nula si el Comprador no cumple todas las disposiciones contenidas en las presentes Condiciones generales, así como en las situaciones en que un Comprador o un Usuario: (1) sabe o hubiera debido saber que el Producto estaba defectuoso antes de usar el Producto; (2) utiliza el Producto de forma indebida o negligente; (3) utiliza, monta, desmonta o modifica el Producto de forma inapropiada, o (4) no utiliza el Producto de la forma indicada. Esta Garantía limitada es la única garantía ofrecida por Vivere respecto del Producto, con arreglo a las presentes Condiciones generales. Vivere no asume ninguna otra responsabilidad derivada de la venta del Producto. Ningún representante de Vivere está autorizado a ampliar la Garantía limitada o a cambiarla de forma alguna. La garantía no se aplica a ninguna otra persona distinta del Comprador original. Todas las reclamaciones derivadas de la Garantía limitada solo podrán presentarse contra Vivere o un Distribuidor, según el caso, y se declararán inaplicables cuando un Producto se devuelva al vendedor donde se adquirió.

5. VIVERE DECLINA CUALQUIER OTRA GARANTÍA O REPRESENTACIÓN DE TIPO ALGUNO, YA SEA ORAL O ESCRITA, EXPRESA O IMPLÍCITA POR LA LEGISLACIÓN U OTRO, DERIVADA DE O RELACIONADA CON ESTA GARANTÍA, LOS PRODUCTOS O LOS RESULTADOS DERIVADOS DE LOS MISMOS, INCLUIDAS, ENTRE OTRAS, LAS GARANTÍAS RELACIONADAS CON LA PRECISIÓN, CALIDAD, EXACTITUD, INTEGRIDAD, EXHAUSTIVIDAD, ADECUACIÓN, COMPATIBILIDAD, COMERCIABILIDAD, IDONEIDAD PARA UN FIN ESPECÍFICO U OTROS (INDEPENDIEMENTE DE CUALQUIER ACUERDO, USO O COSTUMBRE COMERCIAL).

6. SIN PERJUICIO DE LAS RESTANTES DISPOSICIONES CONTRARIAS CONTENIDAS EN ESTA GARANTÍA, EN NINGÚN CASO VIVERE, SUS AFILIADOS Y FILIALES, DISTRIBUIDORES O SUS RESPECTIVOS DIRECTORES, AGENTES O EMPLEADOS, SERÁN RESPONSABLES ANTE UN COMPRADOR, USUARIO O CUALQUIER TERCERO CUYA RECLAMACIÓN ESTÉ RELACIONADA CON ESTA GARANTÍA, SERÁN RESPONSABLES DE AGRAVIOS, NEGLIGENCIAS U OTROS: (A) POR LA PÉRDIDA DE BENEFICIOS, PÉRDIDA DE INGRESOS, PÉRDIDA DE OPORTUNIDADES COMERCIALES O DAÑOS EJEMPLARES, PUNITIVOS, ESPECIALES, INCIDENTALES, INDIRECTOS, CONSECUENCIALES O SIMILARES, CADA UNO DE LOS CUALES QUEDA EXCLUIDO POR MEDIO DE ESTA GARANTÍA, INDEPENDIEMENTE DE SU DICHOS DAÑOS ERAN PREVISIBLES O SI LA ENTIDAD APLICABLE HABÍA SIDO NOTIFICADA DE LA POSIBILIDAD DE TALES DAÑOS; O (B) POR CUALQUIER RECLAMACIÓN, DAÑO O COSTE DE CUALQUIER NATURALEZA QUE SUPERE EL IMPORTE PAGADO POR EL PRODUCTO POR PARTE DEL COMPRADOR, EXCLUIDOS TODOS LOS IMPUESTOS GRAVABLES A LA VENTA, EN EL MOMENTO EN QUE SE COMPRÓ EL PRODUCTO. EL ÚNICO REMEDIO DEL COMPRADOR PARA LOS PRODUCTOS DEFECTUOSOS SE LIMITARÁ A LAS DISPOSICIONES ESTIPULADAS ANTERIORMENTE.

7. Todos los Productos ofrecidos por los Distribuidores se venderán sin garantías adicionales procedentes de Vivere, pero deberán ir acompañadas por la garantía del Distribuidor, que debe facilitarse en la documentación que acompaña al Producto. Cuando un Producto sea ofrecido por un Distribuidor, todas las garantías y el soporte técnico ofrecidos para el Producto serán proporcionados por el Distribuidor; y no por Vivere. Todas las garantías y el soporte técnico relacionados con un Producto y ofrecidos por un Distribuidor constituirán la única responsabilidad y la única obligación de dicho Distribuidor, y el Comprador no tendrá otros recursos para hacer cumplir dicha garantía contra Vivere.

8. Las presentes Condiciones generales se interpretarán con arreglo a las leyes de la Provincia de Ontario y las leyes de Canadá aplicables sin tener en cuenta los principios del conflicto de leyes. La Convención de las Naciones Unidas sobre los Contratos de Compraventa Internacional de Mercaderías, la Ley Uniforme sobre Venta de Mercaderías y la Ley Uniforme sobre la Formación de Contratos para la Venta Internacional de Mercaderías quedan excluidas de forma expresa. En virtud de la Sección 6 anterior, sin limitar las disposiciones anteriores, el Comprador y Vivere acuerdan lo siguiente de forma irrevocable e incondicional: (a) que todas las disputas, acciones legales o procedimientos jurídicos derivados o relacionados con estas Condiciones generales se someterán al Tribunal Superior de Justicia de Ontario, en la Ciudad de Toronto; (b) someterse a la jurisdicción exclusiva de dichos tribunales para cualquier disputa, acción legal o procedimiento judicial; (c) renunciar de forma irrevocable y sin condiciones a toda objeción relativa al establecimiento de los tribunales dichos tribunales para resolver cualquier disputa, acción legal o procedimiento judicial; y (d) renunciar a cualquier derecho que pueda tener para reivindicar la defensa de un del forum non conveniens en dichas disputas, acciones legales o procedimientos judiciales.

9. Las reclamaciones de garantía deberán enviarse a:

Vivere Europe B.V. – Europa
info@vivereurope.com
Tel: +31 46 426 35 55

TERMINI E CONDIZIONI

1. I seguenti termini e condizioni di vendita ("Termini e Condizioni") disciplinano la vendita da parte di Vivere Ltd., ("Vivere") dei prodotti (il "Prodotto" o "Prodotti") indicati nei presenti Termini e Condizioni e in conformità con tali termini, a voi ("Acquirente"), che potrebbero essere resi disponibili per la vendita in alcune regioni da parte di un distributore regionale o nazionale autorizzato da Vivere (il "Distributore" o i "Distributori"). Alcune condizioni aggiuntive possono applicarsi e accompagnare i prodotti.

2. Vivere si riserva il diritto di aggiungere, eliminare o modificare i presenti Termini e Condizioni senza vrevia comunicazione scritta in qualsiasi momento, a esclusiva discrezione di Vivere. La versione corrente dei Termini e Condizioni, disponibile presso <http://www.vivereltd.com/warranty>, regola e si applica a tutte le richieste di assistenza in garanzia dell'Acquirente, o altrimenti al momento dell'avvio di tale richiesta di garanzia da parte dell'Acquirente.

3. Vivere garantisce all'Acquirente l'assenza di difetti dei materiali e della lavorazione solo per i seguenti Prodotti, per un periodo di dodici (12) mesi dalla data di acquisto: Amache, amache a poltrona, accessori per amache, arredi da esterno e lettini. I difetti escludono la normale usura delle merci; sbiadimento del colore dovuto al sole, muffa, odore di muffa; l'uso improprio di un Prodotto; l'uso imprudente o negligente di un Prodotto; l'uso di un Prodotto da parte di un Acquirente o un terzo con accesso e uso di un Prodotto (un "Utente") dove l'Acquirente o l'Utente, a conoscenza o presunto a conoscenza di qualsiasi tipo di difetto; e altri difetti causati da modifica, assemblaggio scorretto; disassemblaggio, o temperature e condizioni climatiche anormali.

L'unico rimedio per l'Acquirente e l'unico obbligo per Vivere per la violazione della presente garanzia è un impegno ragionevole a correggere qualsiasi non conformità o, se questo non può essere fatto a sola discrezione di Vivere, l'Acquirente riceverà un credito per, o un rimborso del prezzo d'acquisto (la "Garanzia Limitata"). Le istruzioni e le evertenze relative ai Prodotti sono allegate.

4. La Garanzia Limitata non sarà più valida nel caso in cui l'Acquirente non rispetti tutti i termini definiti nei presenti Termini e Condizioni, oltre che nei casi in cui un Acquirente o Utente: (1) conosce o avrebbe dovuto essere a conoscenza del fatto che un Prodotto sia difettoso prima di utilizzarlo; (2) utilizza il Prodotto in modo imprudente o negligente; (3) utilizza, assembla, disassembla, modifica impropriamente il Prodotto, o (4) non utilizza il Prodotto come indicato. La presente Garanzia Limitata rappresenta l'unica garanzia offerta da Vivere per quanto riguarda il Prodotto, soggetto ai presenti Termini e Condizioni. Vivere non si assume alcuna responsabilità in relazione alla vendita del Prodotto. Nessun rappresentante di Vivere è autorizzato a estendere la Garanzia Limitata o modificarla in alcun modo. Nessuna garanzia si applica a qualsiasi altra parte diversa dall'Acquirente originario. Eventuali richieste soggette alla Garanzia Limitata possono essere presentate solo a Vivere o a un suo Distributore, a seconda del caso, e possono essere inapplicabili nel caso in cui un Prodotto sia restituito al venditore nel luogo di acquisto del Prodotto.

5. VIVERE RIFIUTA QUALSIASI RAPPRESENTAZIONE E GARANZIA DI QUALSIASI NATURA, SCRITTA O ORALE, ESPlicita O IMPLICITa PER LEGGE O ALTRIMENTI, DERIVANTE DA O RELATIVA ALLA PRESENTE GARANZIA, I PRODOTTI O RISULTATI DA ESSA DERIVATI, INCLUSE, SENZA LIMITAZIONE, EVENTUALI GARANZIE DELLA PRECISIONE, QUALITÀ, CORRETTEZZA, COMPLETEZZA, ESAUSTIVITÀ, IDONEITÀ, COMPATIBILITÀ, COMMERCIALITÀ, IDONEITÀ AD UN SCOPO PARTICOLARE, O ALTRIMENTI (INDIPENDENTEMENTE DA QUALSIASI CORSO DI NEGOZIAZIONE, USI E CONSUETUDINI DEL COMMERCIO).

6. INDIPENDENTEMENTE DA QUALSIASI DISPOSIZIONE CONTENUTA NELLA PRESENTE GARANZIA CHE POSSA INDICARE IL CONTRARIO, IN NESSUN CASO VIVERE, LE SUE CONSOCIATE E FILIALI, O I DISTRIBUTORI, O QUALSIASI DEI SUOI O DEI LORO RISPETTIVI DIRETTORI, FUNZIONARI, O DIPENDENTI, PUÒ ESSERE RESPONSABILE NEI CONFRONTI DI UN ACQUIRENTE, UTENTE, O ALTRA TERZA PARTE LA CUI RICHIESTA SIA RELATIVA ALLA PRESENTE GARANZIA, ESSERE RESPONSABILE PER QUALSIASI TEORIA DI ILLECITO CIVILE, NEGLIGENZA, CONTRATTO, O ALTRIMENTI: (A) PER PERDITA DI PROFITTI, PERDITA DI RICAVI, PERDITA DI OPPORTUNITÀ COMMERCIALI O DANNI ESEMPLARI, PUNITIVI, SPECIALI, ACCIDENTALI, INDIRETTI, CONSEGUENZE O SIMILI, OGNUNO DEI QUALI È ESCLUSO DALLA PRESENTE GARANZIA, INDIPENDENTEMENTE DAL FATTO CHE TALI DANNI POTESSERO ESSERE PREVISTI O CHE LA PARTE INTERESSATA SIA STATA AVVISATA DELLA POSSIBILITÀ DI TALI DANNI; O (B) PER EVENTUALI RECLAMI, DANNI, COSTI DI QUALSIASI NATURA OLTRE LE TASSE PAGATE PER IL PRODOTTO DA PARTE DELL'ACQUIRENTE, ESCLUSE LE IMPOSTE DI VENDITA APPLICABILI, AL MOMENTO DELL'ACQUISTO DI TALE PRODOTTO. L'UNICO RIMEDIO PER L'ACQUIRENTE PER QUALSIASI PRODOTTO DIFETTOSO SARÀ QUANTO SOPRA INDICATO.

7. Tutti i Prodotti messi a disposizione dai Distributori sono venduti senza alcuna garanzia aggiuntiva da parte di Vivere, ma possono essere accompagnati da una garanzia del Distributore, come può essere indicato nella documentazione accompagnatoria del Prodotto. Qualora un Prodotto venga reso disponibile da un Distributore, qualsiasi garanzia e supporto tecnico forniti su tale Prodotto è fornita dal Distributore e non da Vivere. Qualsiasi garanzia o supporto tecnico sul Prodotto reso disponibile da un Distributore è esclusiva responsabilità e obbligo di tale Distributore e l'Acquirente non ha titolo di ricorrere per la messa in atto di tali garanzie nei confronti di Vivere.

8. I presenti Termini e Condizioni devono intendersi in conformità con le normative applicabili della Provincia dell'Ontario e del Canada senza considerazione dei principi di conflitto di legge. La Convenzione delle Nazioni Unite sui Contratti di Vendita Internazionale di Merci e la Legge Uniforme per la Vendita di Merci, la Legge Uniforme sulla Formazione di Contratti per la Vendita Internazionale di Merci sono espressamente escluse. Soggetti alla Sezione 6 precedente, senza limitare quanto precede, l'Acquirente e Vivere, irrevocabilmente e incondizionatamente: (a) convengono che qualsiasi causa, azione o altro procedimento legale derivante da o relativo ai presenti Termini e Condizioni dovrà essere portato davanti alla Corte Superiore di Giustizia dell'Ontario, nella Città di Toronto; (b) acconsentono alla giurisdizione esclusiva di tale corte in qualsiasi tale causa, azione o procedimento; (c) rinunciano a qualsiasi obiezione sulla sede di tale causa, azione o procedimento in qualsiasi di tali tribunali; e (d) rinunciano a qualsiasi diritto possano avere a richiedere l'applicazione della dottrina del Forum non-conveniens in tale causa, azione o procedimento.

9. Le richieste di assistenza in garanzia devono essere rivolte a:

Vivere Europe B.V. - Europa
info@viveereurope.com
Tel: +31 46 426 35 55

VERKOOPVOORWAARDEN

1. Onderstaande verkoopvoorwaarden ("Voorwaarden") zijn van toepassing op de verkoop aan u (de "Koper") door Vivere Ltd. [Vivere Europe B.V.] ("Vivere") van producten (het "Product" of de "Producten") die bij deze Voorwaarden gevoegd zijn in conform de looptijd daarvan, die in bepaalde regio's te koop worden aangeboden door regionale of nationale distributeurs onder licentie van Vivere (de "Distributeur" of de "Distributeurs"). Bepaalde aanvullende bepalingen kunnen bij de Producten gevoegd worden en van toepassing zijn.

2. Vivere behoudt zich het recht voor om, naar eigen goeddunken van Vivere, deze Voorwaarden op enig moment aan te vullen, te verwijderen of te wijzigen zonder voorafgaande schriftelijke kennisgeving. De huidige versie van de Voorwaarden die vermeld staat op <http://www.vivereltd.com/warranty> is van toepassing op een aanspraak op de garantie door de Koper of anderszins op het moment dat een dergelijke aanspraak op de garantie door de Koper wordt ingesteld.

3. Vivere garandeert aan de Koper dat uitsluitend de volgende Producten vrij zijn van materiaal- en constructiefouten gedurende een periode van twaalf (12) maanden na aankoopdatum: Hangmatten, Hangmatstoelen, Hangmat-accessories, Buitenstoelen en Ligstoelen. Onder gebreken wordt niet verstaan normale slijtage van goederen, verbleekte kleuren als gevolg van zonlicht, schimmels, geurvorming, verkeerd gebruik van een Product, onoordeelkundig of onzorgvuldig gebruik van een Product, gebruik van een Product door een Koper of een partij die toegang tot een Product heeft en daar gebruik van kan maken (een "Gebruiker") en waarbij de Koper of Gebruiker weet, of had moeten weten, dat dit Product op welke wijze dan ook gebrekig was, en gebreken als gevolg van aanpassingen, onjuiste montage, demontage of abnormale weersomstandigheden of temperaturen.

Het enige rechtsmiddel dat de Koper ter beschikking staat en de enige verplichting van Vivere indien deze garantie geschonden wordt, is dat Vivere redelijke inspanningen dient te betrachten om niet-conformiteit te herstellen of, indien hier naar eigen goeddunken van Vivere niet aan voldaan kan worden, dat de Koper een krediet of restitutie van de koopprijs ontvangt (de "Beperkte Garantie"). Aanwijzingen en waarschuwingen met betrekking tot de Producten zijn bijgevoegd.

4. De Beperkte Garantie is nietig indien de Koper er niet in slaagt om alle in deze Voorwaarden opgenomen bepalingen na te leven, alsmede indien een Koper of Gebruiker: (1) weet of had kunnen weten dat een Product gebrekig was voorafgaand aan het gebruik van het Product; (2) het Product op een onoordeelkundige of onzorgvuldige manier gebruikt; (3) het Product verkeerd gebruikt, monteert, demonteert of aanpast, of (4) het Product niet op de aangegeven wijze gebruikt. Deze Beperkte Garantie is de enige garantie die Vivere biedt ten aanzien van het Product onder deze Voorwaarden. Vivere aanvaardt geen andere aansprakelijkheid in verband met de verkoop van het Product. Geen enkele vertegenwoordiger van Vivere is bevoegd om de Beperkte Garantie te verlenen of op welke wijze dan ook te wijzigen. De garantie geldt uitsluitend voor de oorspronkelijke Koper. Aanspraken op de Beperkte Garantie kunnen uitsluitend bij Vivere of een Distributeur gedaan worden, al naar gelang hetgeen van toepassing is, en zijn niet van toepassing indien een Product geretourneerd wordt aan de verkoper van wie het Product gekocht is.

5. VIVERE DOET HIERBIJ AFSTAND VAN ALLE VERKLARINGEN EN GARANTIES VAN WELKE AARD DAN OOK, SCHRIFTELIJK OF MONDELING, UITDRUKKELIJK OF IMPLICIET, WETTELIJK OF ANDERSZINS, DIE VOORTVLOEIEN UIT OF VERBAND HOUDEN MET DEZE GARANTIE, DE DAARVAN AFGELEIDE PRODUCTEN OF RESULTATEN, WAARONDER BEGREPEN MAAR NIET BEPERKT TOT GARANTIES TEN AANZIEN VAN NAUWKEURIGHEID, KWALITEIT, JUISTHEID, VOLLEDIGHEID, UITGEBREIDHEID, GESCHIKTHEID, COMPATIBILITEIT, VERKOOPBAARHEID, GESCHIKTHEID VOOR EEN BEPAALD DOEL OF ANDERSZINS (ONGEACHT ENIGE TRANSACTIES OF HANDELSGEBRUIKEN).

6. NIETTEGENSTAANDE ENIGE ANDERSLUIDENDE BEPALING VAN DEZE GARANTIE ZIJN VIVERE, HAAR GELIEERDEN EN DOCHTERONDERMINGEN OF DISTRIBUTEURS, OF HAAR OF HUN RESPECTIEVELEJKE DIRECTEUREN, FUNCTIONARISSEN OF WERKNEMERS, IN GEEN ENKEL GEVAL AFGELEIDE PRODUCTEN OF RESULTATEN, WAARONDER BEGREPEN MAAR NIET BEPERKT TOT BETREKKING HEEFT OP ZELF GARANTIE, NOCH AANSPRAKELIJK OP GROND VAN EEN RECHTSTHEORIE ZOALS EEN ONRECHTMATIGE DAAD, NALATIGHEID, CONTRACT OF ANDERSZINS: (A) VOOR WINSTDERVING, INKOMSTENDERVING, GEMISTE ZAKELIJKE KANSEN OF MORELE SCHADE, SCHADEVERGOEDING ALS STRAF, BIJZONDERE SCHADE, BIJKOMENDE SCHADE, INDIRECTE SCHADE, GEVOLGSCHADE OF SOORTGELIJKE SCHADE, HETGEEN HIERBIJ WORDT UITGESLOTEN VAN DEZE GARANTIE, ONGEACHT OF DERGELIJKE SCHADE TE VOORZIEN WAS EN ONGEACHT OF DE VAN TOEPASSING ZIJNDE ENTITEIT GEÏNFORMEERD IS OVER DE MOGELIJKE SCHADE DAT DERGELIJKE SCHADE ZOU KUNNEN OPTREDEN: OF (B) VOOR AANSPRAKEN, SCHADE, KOSTEN VAN WELKE AARD DAN OOK DIE DE DOOR DE KOPER VOOR HET PRODUCT BETAALDE KOSTEN TE BOVEN GAAN, MET UITZONDERING VAN DAAROP VAN TOEPASSING ZIJNDE OMZETBELASTING, TEN TIJDE VAN DE AANKOOP VAN DAT PRODUCT. HET ENIGE RECHTSMIDDEL DAT DE KOPER TER BESCHIKKING STAAT BIJ EEN GEBREKIG PRODUCT IS ZOALS HIERBOVEN VERMELD.

7. Alle Producten die door Distributeurs ter beschikking worden gesteld, worden verkocht zonder aanvullende garantie van Vivere, maar worden vergezeld van een garantie van de Distributeur die is opgenomen in de documentatie die bij het Product geleverd wordt. Indien een Product door een Distributeur ter beschikking wordt gesteld, wordt een garantie en technische ondersteuning voor een Product door die Distributeur verleend, niet door Vivere. Garanties of technische ondersteuning voor een Product dat door een Distributeur ter beschikking gesteld wordt, is/ zijn uitsluitend de verantwoordelijkheid en verplichting van die Distributeur en de Koper kan een dergelijke garantie niet op Vivere verhalen.

8. Op deze Voorwaarden is de wetgeving van de Provincie Ontario en de Canadese wetgeving van toepassing, zonder inachtneming van de beginselen van het conflictenrecht. De toepasselijkheid van het Verdrag der Verenigde Naties inzake internationale koopovereenkomsten betreffende roerende zaken, het Verdrag houdende een eenvormige wet inzake de totstandkoming van internationale koopovereenkomsten betreffende roerende lichamelijke zaken wordt uitsluitend uitgesloten. Op basis van het bovenstaande artikel 6 en zonder het voorgaande te beperken, (a) komen de Koper en Vivere onherroepelijk en onvoorwaardelijk overeen dat een rechtszaak, rechtsvordering of andere juridische procedure die voortvloeit uit of verband houdt met deze Voorwaarden dient te worden ingesteld bij het Ontario Superior Court of Justice in de stad Toronto; (b) gaan de Koper en Vivere onherroepelijk en onvoorwaardelijk akkoord met de uitsluitende bevoegdheid van die rechtbank ten aanzien van een dergelijke rechtszaak, rechtsvordering of procedure; (c) doen de Koper en Vivere onherroepelijk en onvoorwaardelijk afstand van het recht op bezwaar met betrekking tot het voorleggen van dergelijke rechtszaken, rechtsvorderingen of procedures aan een dergelijke rechtbank; en (d) doen de Koper en Vivere onherroepelijk en onvoorwaardelijk afstand van het recht om zich te beroepen op het verweer van forum non conveniens in een rechtszaak, rechtsvordering of procedure.

9. Aanspraken op de garantie kunnen worden ingediend bij:

Vivere Europe B.V. - Europa
info@viveereurope.com
Tel: +31 46 426 35 55