

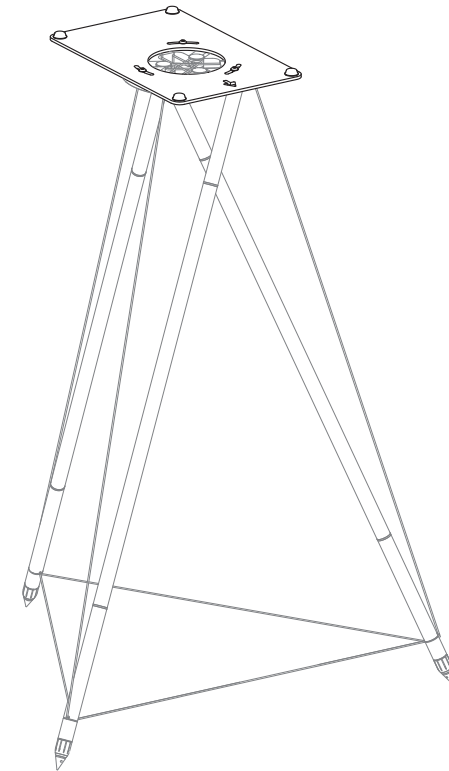


ACOUSTICS



ACOUSTICS

QACOUSTICS.CO.UK



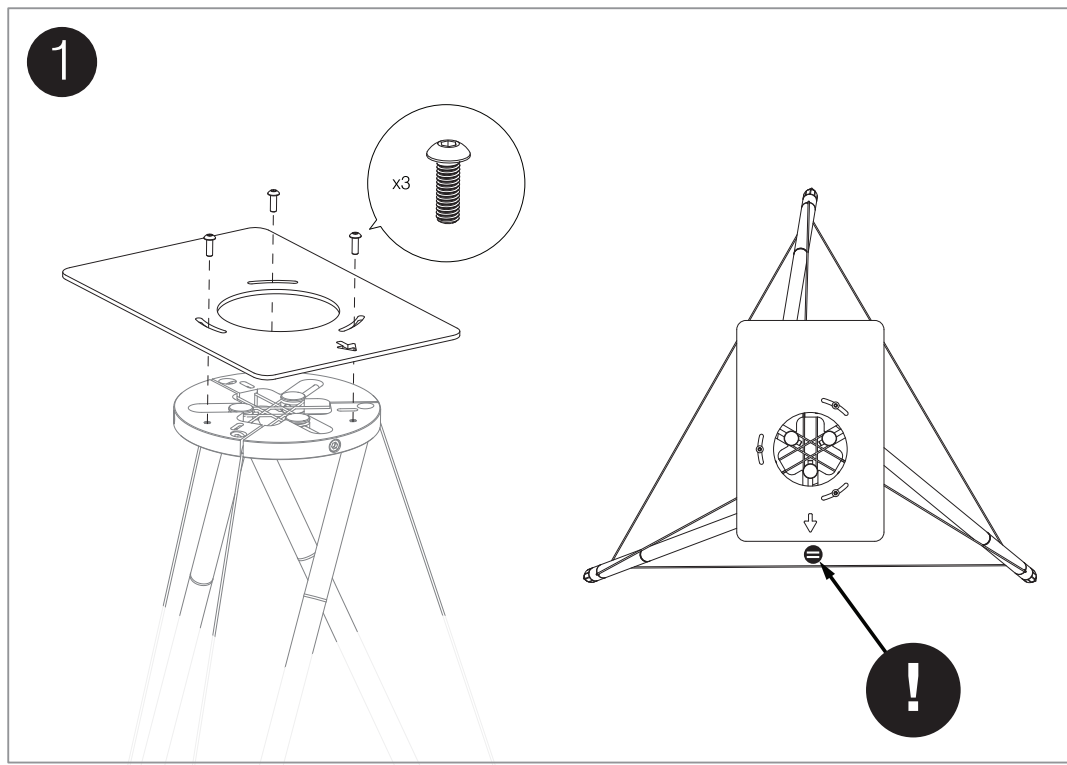
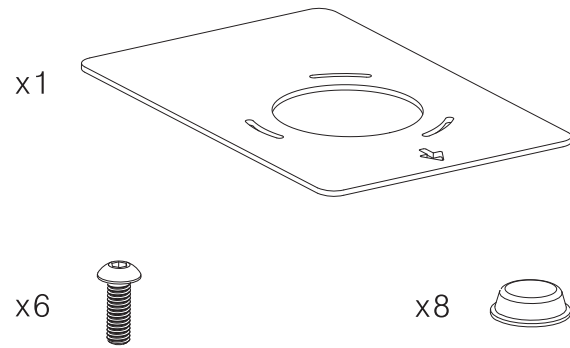
Tensegrity Stand Adaptor Plate (Pair)

SUPPLEMENT SHEET

Our policy is one of continuous product improvement.
We reserve the right to change the designs and specifications without notice.
This document contains information that is subject to change without notice.

Q17410-IS_r0

Contents



Warranty

Q Acoustics passive loudspeaker products are warranted free of defects in materials and workmanship for a period of 5 years from the date of purchase. During the warranty period Q Acoustics will, at its option, repair or replace any product found to be faulty after inspection by the company or its appointed distributor or agent.

Misuse and fair wear and tear are not covered by warranty.

Goods for repair should in the first instance be returned to the supplying dealer. If this is not possible contact Q Acoustics or their appointed distributor for your area to determine the correct warranty procedure. If possible the original packaging should be used to return the product as damage sustained during transit to the repair centre is not covered by the warranty. The warranty does not in any way affect your legal rights.

For service information contact: support@qacoustics.co.uk

Q Acoustics
Woodside 2, Dunmow Road
Bishops Stortford, Herts, UK
CM23 5RG

For any additional info not contained within this manual, support questions and/or requests, please visit our on-line Knowledge Base Portal at www.qacoustics.co.uk/faqs

