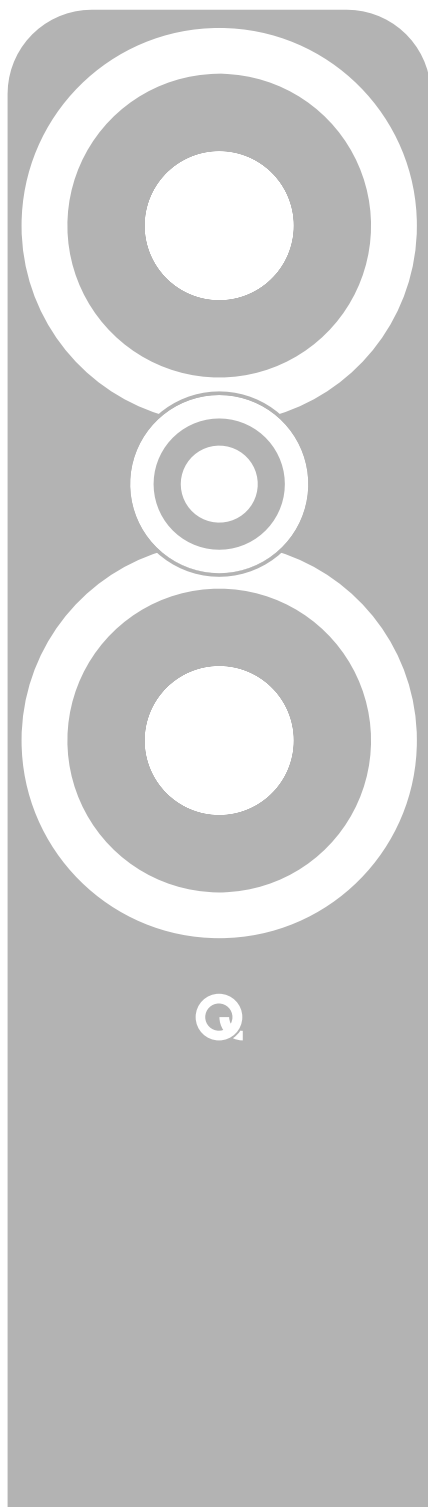




3000i Series

OWNER'S MANUAL

EN	ENGLISH	01
DE	GERMAN	16
FR	FRENCH	28
IT	ITALIAN	40



Important Safety Information and Warnings

1. Safety Information and Warnings

Before making any connections to your loudspeakers make sure that all active units in your system are switched off at the mains.

When switching on your sound system or changing input sources, set the main volume control at a low level. Turn up the level gradually.

NEVER play your sound system at full volume. The position of the volume control is deceptive and does not indicate the power level of the system. Using very high volume settings may damage your hearing.

1.1. Instructions

Read and understand these instructions before you use your loudspeakers. If damage is caused by failure to follow these instructions, the warranty will not apply. Please keep these instructions in a safe place.

Read these instructions.

Keep these instructions.

Heed all warnings.

Follow all instructions.

Do not use this apparatus near water.

DO NOT connect your loudspeaker terminals to the mains supply.

Do not install near any heat sources such as radiators, heat registers, stoves, or other apparatus (including amplifiers that produce heat).

Only use attachments/accessories specified by the manufacturer.

Unplug this apparatus during lightning storms or when unused for long periods of time.

2. Unpacking your loudspeakers



Unpack the speakers fully. Lift the speakers from the cartons by holding the cabinets. Do not use the protective bags to lift them.

When manoeuvring loudspeakers, do not drag them across the floor as this may cause damage - lift each speaker before moving it.

Check the loudspeaker carefully. If any items are damaged or missing, report this to your retailer as soon as possible.

Retain the packaging for future transport. If you dispose of the packaging, please do so following all recycling regulations in your area.

3. Installation

- Only use the accessories supplied with the product.
- To prevent injury, this apparatus must be securely mounted onto the floor in accordance with the installation instructions.

- Do not use makeshift stands. Fit the Q Acoustics dedicated stand according to the instructions and using any fixings provided. Your dealer will advise you.

- If you play your loudspeakers without their grilles fitted, be careful to protect the drive units from damage.

- **DO NOT** dismantle the loudspeaker. You will invalidate the warranty.

- Do not connect your loudspeaker terminals to the mains supply.

- Do not expose your loudspeakers to excessive cold, heat, humidity or sunlight.

- The use of this apparatus is indicated for tropical and/or moderate climates.

3.1. Moisture

- To reduce the risk of fire or electric shock, this apparatus should not be exposed to rain, moisture, dripping or splashing.

- Do not use this apparatus near water.

3.2. Servicing

Refer all servicing to qualified service personnel. Servicing is required when the apparatus has been damaged in any way, liquid has been spilled or objects have fallen into the apparatus, the apparatus has been exposed to rain or moisture, does not operate normally, or has been dropped.

4.0. Symbols used on this product

Hazard Warning Symbol



The 'exclamation mark' calls attention to features for which you should read this manual closely to prevent operation and maintenance problems.

CAUTION: To prevent electric shock, match wide blade of plug to wide slot, fully insert.

Waste Electrical and Electronic Equipment Symbol

This symbol indicates that when the unit is to be discarded, it must be separated from other household-type waste and sent to separate collection facilities for recovery and recycling of electrical and electronic equipment.



Please make sure you are familiar with your local rules on the separate collection of electrical and electronic products.

Introduction

Thank you for purchasing Q Acoustics.

This manual is intended to take you through setup and installation and will help provide optimum performance from the product.

Please read the instructions, important safety information and warnings carefully before installation and use, to ensure the safe and satisfactory operation of this product.

The Q Acoustics 3000i series is a range of loudspeakers designed to meet the highest expectations of dedicated 2-channel audiophiles and discerning movie enthusiasts.

The range comprises:

3010i: Compact bookshelf speaker with a 100 mm (4.0 inches) bass driver.

3020i: Bookshelf speaker with a 125 mm (5.0 inches) bass driver.

3030i: Bookshelf speaker with a 165 mm (6.5 inches) bass driver.

3050i: Floorstander with 2 x 165 mm (6.5 inches) bass drivers.

3060S: 150 Watt active subwoofer with a 200 mm (8.0 inches) driver.

3090Ci: Centre channel with 2 x 100 mm (4.0 inches) bass drivers.

In the carton you will find: The loudspeaker/s and this product manual.

In addition the packing for the following models contains:

3050i: Rear stabiliser, spikes and spike covers for each speaker. An Allen key to adjust the spikes once fitted.

3060S: A mains power cord or cords, spikes and spike covers.

Check the product carefully. If any items are damaged or missing, report this to your dealer as soon as possible.

We hope you enjoy the Q Acoustics experience.

Preparation

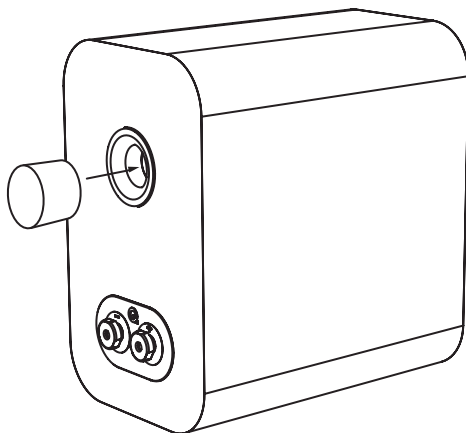


Lift the speakers from the cartons by holding the cabinets. Do not touch the driver units or use the protective bags to lift them. The 3050i and 3060S are heavy - get assistance to lift them if necessary.

Foam Bung

The 3000i series speakers are rear ported and designed to work best with some space behind them i.e. 200mm or so away from a wall. If you position your speakers close to a wall / corner then the foam bungs should be inserted into the rear ports or there could be too much bass.

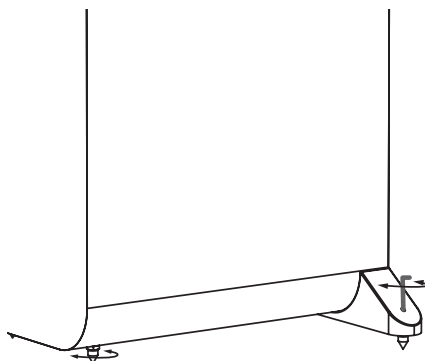
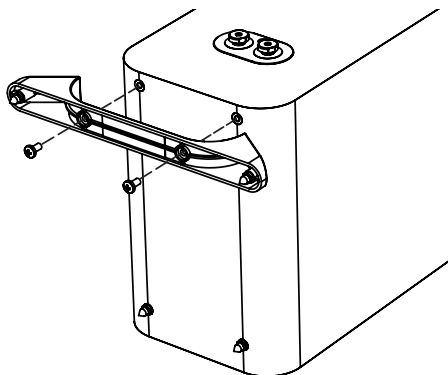
Ensure the bungs are fitted snugly into the port without inserting them too far. You will find the level of bass is reduced but definition and bass extension is increased. Experiment to see what you prefer and try making small changes to the position of the speaker to optimise the final result.



*Spikes are sharp. Exercise care!
Never place a spiked loudspeaker where it can cause damage!
Always move your loudspeakers by lifting them - never drag them!*

3050i - Attach the rear stabiliser

Thread the spikes fitted with locking nuts half way into the base and return the loudspeaker to the upright position. (If you have a wood or stone floor push a spike protector over each spike before turning the speaker upright) When the speaker is the right way up, insert the Allen key into each rear spike from the top and adjust all the spikes in and out until the loudspeaker is level and stable.



Use screws provided to secure feet as shown.

Positioning



All the loudspeakers may be operated close to TV monitors with no ill-effects with the exception of the 3060S which should not be operated within 500mm of TV screens monitors or other magnetically sensitive equipment. Plasma and LCD screens are unaffected.

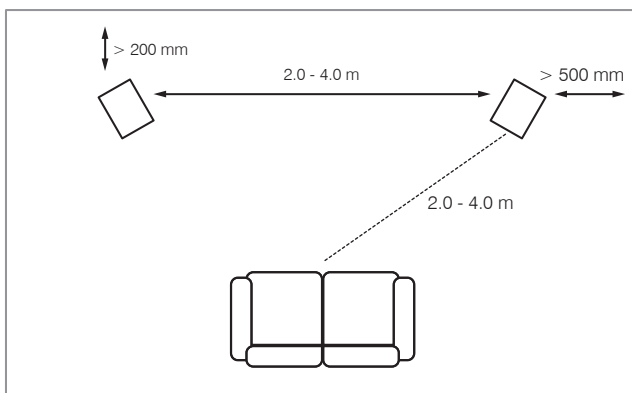
3010i, 3020i and 3030i

The 3010i, 3020i and 3030i are ideally mounted on Q Acoustics floor stands, 3010i and 3020i can also be wall mounted. If you are stand mounting, a simple guide is that the treble unit should be at ear level to a seated listener. Wall mounted speakers may be mounted slightly higher with the speaker angled down. Stand mounted speakers should be treated as floorstanding speakers except that the speaker may be placed a little closer to the back wall. Shelf mounting is also possible.

An optional bracket designed specifically to wall mount the Q Acoustics 3010i, 3020i and 3090Ci is available from your dealer. Floor stands for the 3010i, 3020i and 3030i are also available. Be prepared to experiment to find the best setup for your taste in your particular listening room.

3050i

The 3050i loudspeakers should be positioned at least 200mm from a back wall and 500mm from the side walls. Placing the speakers closer to the wall will increase bass but could cause the sound to boom and lack precision and detail. The speakers should be 2m - 4m apart and central to the seated listener. Turning the speakers slightly inwards will sharpen a stereo image but may cause narrowing of the sound source.



Subwoofer

Bass frequencies are substantially omni directional. Although this means that you can position the subwoofer almost anywhere, the stereo image will still benefit by positioning the subwoofer level with the front loudspeakers and as central to the listening position as possible. This may not be feasible in a multichannel system. If you place the subwoofer close to a wall the bass will be re-enforced therefore in some locations the bass may be boomy and indistinct.

Effects loudspeakers

3090Ci

The 3090Ci is designed to be operated close to a TV screen and central to it. It should be placed immediately above or below the screen. If you have a Plasma or LCD monitor, mount the 3090Ci to the wall or other suitable surface immediately above or below the screen using the Q Acoustics Wall Bracket. If not, consider placing the TV on a cabinet with the 3090Ci on a secure shelf immediately below the TV.

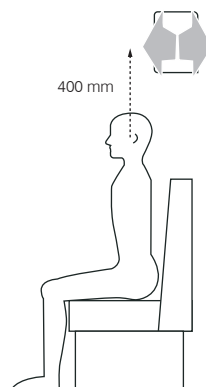


Dolby and the double-D symbol are trade marks of Dolby Laboratories.

Surround Speakers

There are recommendations from Dolby labs for 5.1 effects speakers. Surround speakers should be mounted on either side of the listener, slightly behind the listening position. The speakers should be sited facing inward either mounted on the side walls of the room or if the room is large, on high stands and with their centres above ear level to a seated listener.

For overhead speakers used in multi-channel installations we recommend the Q Acoustics Install range.



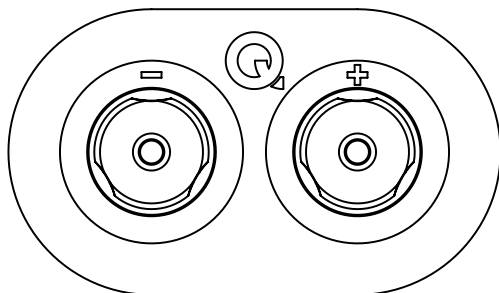
Connections



Before making any connections to your loudspeakers make sure that all active units in your system are switched off at the mains. When switching on your sound system or changing input sources, set the main volume control at a low level. Turn up the level gradually.

Terminals and Connectors

The 3010i, 3020i, 3030i, 3050i and 3090Ci have standard two terminal crossovers.



3010i, 3020i, 3030i, 3050i & 3090Ci

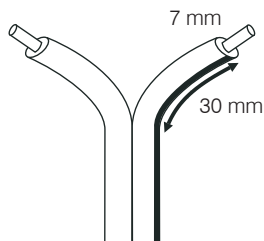
Loudspeaker Cables

Specialist loudspeaker cables will offer a higher standard of reproduction than general purpose 'bell' or 'zip' wire. Use cable with generous amounts of copper for the front and centre channels. Thin cables reduce the bass and restrict the dynamic range. Surround (rear) channels are less critical.

Speaker cable has a stripe or tracer along one core. By convention this is connected to the positive terminals. The cables connecting the amplifier to the front loudspeakers should ideally be the same length. Never join cables - use complete lengths.

Preparing Cables

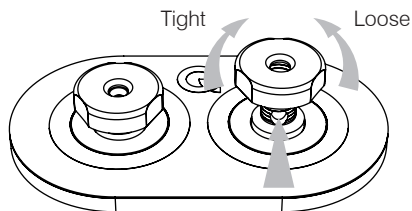
Split the cable to a depth of about 40 mm. Bare the wire to a depth of 10mm and twist the ends to gather any stray wires. Crop the cable leaving 7mm of bare wire exposed.



Connecting a Terminal

Unscrew the terminal anticlockwise to expose the mounting hole in the base of the terminal column.

Insert the bare end of the cable into the hole. Retighten the terminal fully hand tight. Make sure there are no stray wires which could touch adjacent terminals. In the EU it is against safety regulations to use 4mm loudspeaker plugs.

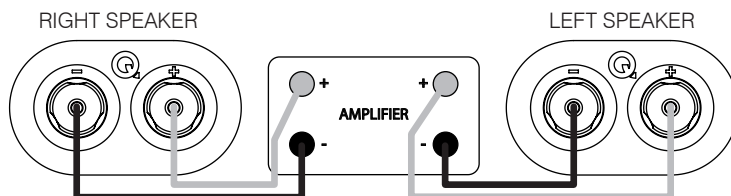


Stereo Connections

Standard Connections

Connect the RED (+) terminal of the RIGHT loudspeaker to the RED, Positive (+) terminal on the RIGHT channel of the amplifier. Connect the BLACK (-) terminal of the loudspeaker to the matching BLACK, Negative (-) terminal of the amplifier. Repeat this procedure for the LEFT channel.

Standard Wiring:



Aftercare

Cabinet Care



Clean cabinets only with a lightly dampened cloth. Do not use solvent based cleaning materials. Never use abrasives of any kind.

The cabinet surfaces will usually only require light dusting. Should an aerosol or other cleaner be used, apply the cleaner onto the cloth first and not directly onto the product. Test a small area first, as some cleaning products may damage the finish. Avoid products that are abrasive, or contain acid or alkaline agents. Do not use any cleaning materials on the drive units and avoid touching them as damage may result.

Grilles

Grilles should only be cleaned using a soft brush when necessary.



If using the Q Acoustics speaker with the grilles removed, remember to replace them if pets or children are present.

Drive Units

Do not touch the drive units as they are easily damaged when exposed.

Warranty

Q Acoustics passive loudspeaker products are warranted free of defects in materials and workmanship for a period of 4 years (1 year for subwoofer) from the date of purchase. During the warranty period Q Acoustics will, at its option, repair or replace any product found to be faulty after inspection by the company or its appointed distributor or agent.

Misuse and fair wear and tear are not covered by warranty.

Goods for repair should in the first instance be returned to the supplying dealer. If this is not possible contact Q Acoustics or their appointed distributor for your area to determine the correct warranty procedure. If possible the original packaging should be used to return the product as damage sustained during transit to the repair centre is not covered by the warranty. The warranty does not in any way affect your legal rights.

Warranty can be extended to 5 years (2 years for subwoofer) by registering your product at www.qacoustics.co.uk/register.

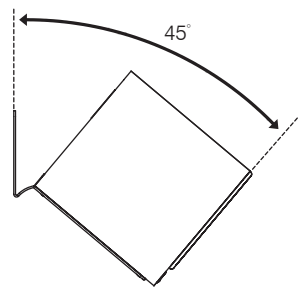
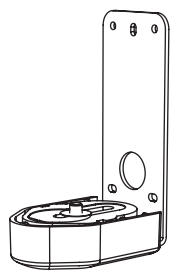
For service information contact: support@qacoustics.co.uk

Q Acoustics
Woodside 2, Dunmow Road
Bishops Stortford, Hertfordshire, UK
CM23 5RG

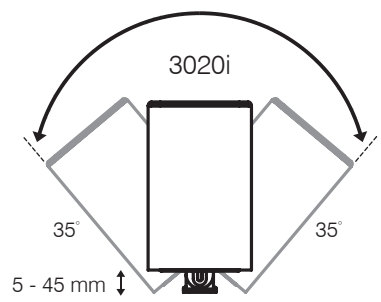
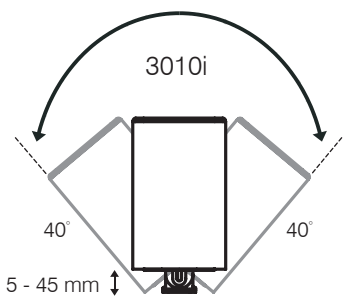
For any additional info not contained within this manual, support questions and/or requests, please visit our on-line Knowledge Base Portal at: www.qacoustics.co.uk/faqs

Accessories

Wall Bracket (Single)
 3010i / 3020i / 3090Ci
 Black and White

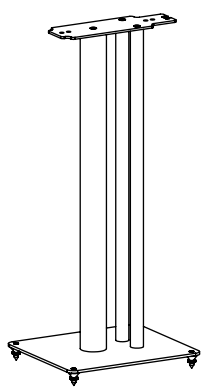


Dimensions (WxHxD): 70 x 159 x 99 mm



Speaker Stand (Pair)

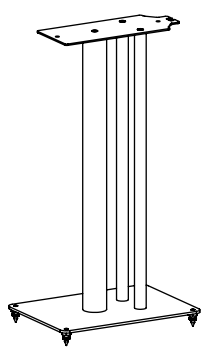
3010i / 3020i
 Black and White



Dimensions (WxHxD):
 250 x 682 x 290 mm

Speaker Stand (Pair)

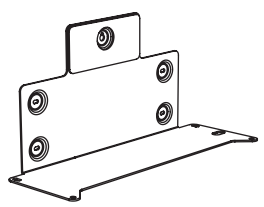
3030i
 Black and White



245 x 635 x 340 mm

Subwoofer Wall Bracket

3060S
 Black



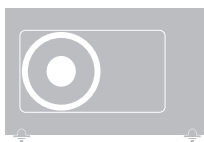
422 x 222 x 163 mm

Specifications



Passive Loudspeakers

Enclosure type:	3010i 2-way reflex	3020i 2-way reflex
Bass unit:	100 mm (4.0 in)	125 mm (5.0 in)
Treble unit:	22 mm (0.9 in)	22 mm (0.9 in)
Frequency response (+/-3 dB, -6 dB):	65 Hz - 30 kHz	64 Hz - 30 kHz
Average impedance:	6 Ω	6 Ω
Minimum impedance:	4 Ω	4 Ω
Sensitivity (2.83v@1m):	86 dB	88 dB
Stereo amplifier power:	15 - 75 W	25 - 75 W
AV receiver power (2 ch. driven):	50 - 125 W	50 - 125 W
Crossover frequency:	2.6 kHz	2.4 kHz
Effective volume:	4.0 L (244 cu in)	6.1 L (372 cu in)
Enclosure dimensions (WxHxD): (inc. grille, terminal and feet)	150 x 253 x 252 mm (5.9 x 10.0 x 10.0 in)	170 x 278 x 282 mm (6.7 x 11.0 x 11.1 in)
Enclosure width:		
Weight (per speaker):	4.1 kg (9.0 lbs)	4.8 kg (10.6 lbs)



Active Subwoofer

Enclosure type:	3060S Infinite baffle
Bass unit:	200 mm (8.0 in)
Amplifier power:	150 W Class-D
Frequency response (+/-3 dB, -6 dB):	35 Hz - 250 Hz
Crossover frequency:	35 Hz - 250 Hz (var.)
Effective volume:	10.6 L (647 cu in)
Enclosure dimensions (WxHxD):	480 x 300 x 150 mm (18.9 x 11.8 x 5.9 in) 324 mm (12.7 in) inc. spikes
Weight:	8.5 kg (18.7 lbs)

**3030i**

2-way reflex

165 mm (6.5 in)

22 mm (0.9 in)

46 Hz - 30 kHz

6 Ω

4 Ω

88 dB

25 - 75 W

50 - 145 W

2.4 kHz

12.5 L (763 cu in)

200 x 325 x 329 mm

(7.9 x 12.8 x 13.0 in)

6.4 kg (14.1 lbs)

**3050i**

2-way reflex

2 x 165 mm (6.5 in)

22 mm (0.9 in)

44 Hz - 30 kHz

6 Ω

4 Ω

91 dB

25 - 100 W

50 - 165 W

2.5 kHz

32.4 L (1977 cu in)

310 x 1020 x 310 mm

(12.2 x 40.1 x 12.2 in)

200 mm (7.9 in)

17.8 kg (39.2 lbs)

**3090Ci**

2-way reflex

2 x 100 mm (4.0 in)

22 mm (0.9 in)

75 Hz - 30 kHz

6 Ω

4 Ω

89 dB

25 - 100 W

50 - 165 W

2.7 kHz

6.6 L (403 cu in)

430 x 152 x 216 mm

(16.9 x 6.0 x 8.5 in)

6.0 kg (13.2 lbs)



ACOUSTICS

QACOUSTICS.CO.UK

Our policy is one of continuous product improvement.
We reserve the right to change the designs and specifications without notice.
This document contains information that is subject to change without notice

Q16400-IS-E5N2,DE,FR,IT_r5