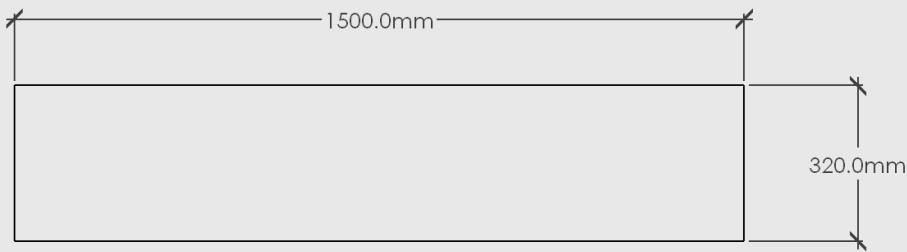
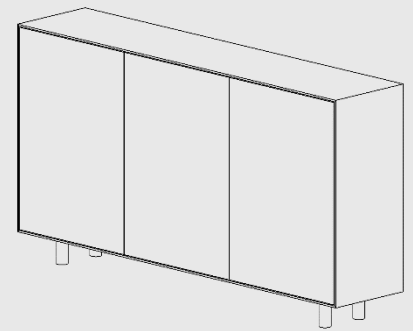


MOOD

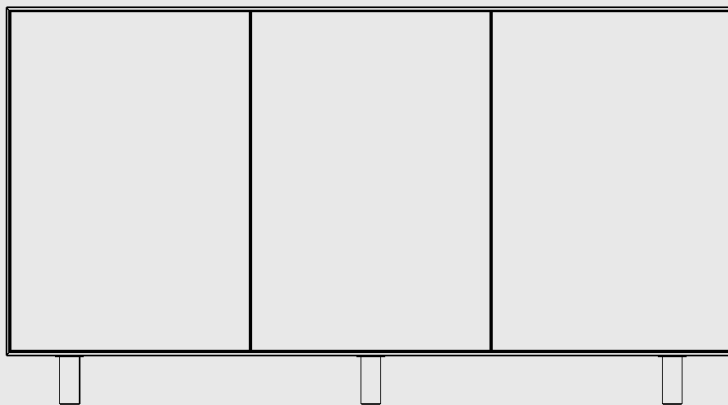
SLIM – 3 DOOR BUFFET UNIT



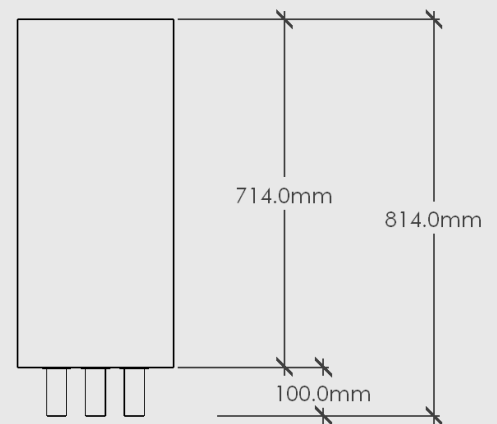
PLAN VIEW



3D VIEW



ELEVATION - FRONT



ELEVATION - SIDE

Slim – 3 Door Buffet Unit (<>>)

Dimensions: 1500mm Long x 814mm High x 320mm Deep

Shell/Fronts: Chosen Timber Veneer on 18mm Birch Plywood. Stained Oiled Edges to match.

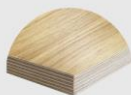
Carcass: 16mm SupaBlack Carcass Grade Plywood with 1mm Black Edging

Hardware: Blum Onyx Black Hinges

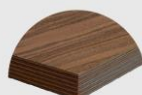
Handle: Push to Open

Leg: Doug Solid Timber Leg in chosen Timber colour

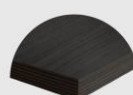
Colour Options:



Oak



Walnut



Black Oak

Push to open handle can be disabled to add on your chosen handle.

Leg can be removed to add an alternative option from our range.

Back: Carcass Grade Plywood with visible screws. We recommend securing the unit to a structural wall.

Package Dimensions/Weight: 1520mm Long x 719mm High x 340mm Deep. Estimated 78kg

Proudly designed and made in NZ. Product comes assembled with legs able to be screwed on and off.