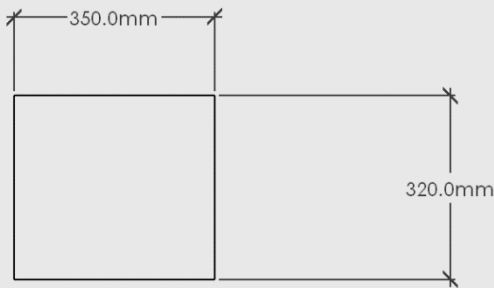
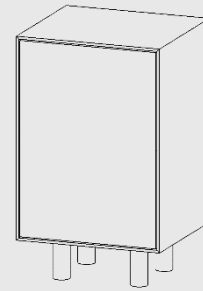


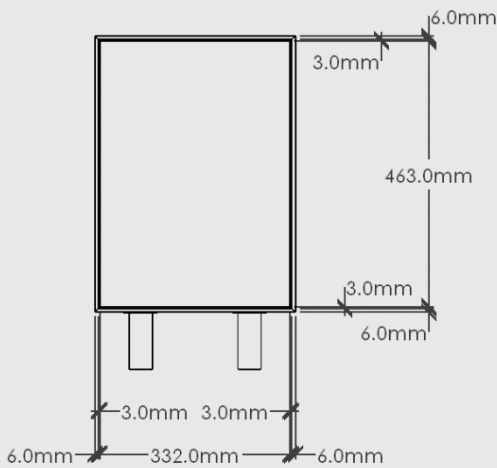
SLIM – 1 DOOR BEDSIDE (<) or (>)



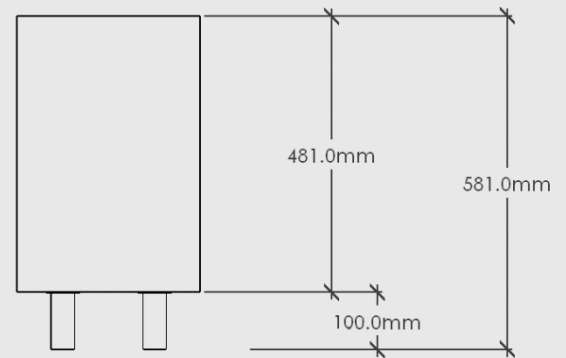
PLAN VIEW



3D VIEW



ELEVATION - FRONT



ELEVATION - SIDE

Slim – 1 Door Bedside (<) or (>)

Dimensions: 350mm Long x 581mm High x 320mm Deep

Shell/Fronts: Chosen Timber Veneer on 18mm Birch Plywood. Stained Oiled Edges to match.

Carcass: 16mm SupaBlack Carcass Grade Plywood with 1mm Black Edging

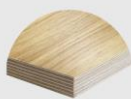
Hardware: Blum Onyx Black Hinges mounted on left side

Handle: Push to Open

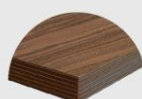
Leg: Doug Solid Timber Leg in chosen Timber colour

Hinged Side: Left (<) or Right (>)

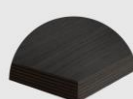
Colour Options:



Oak



Walnut



Black Oak

Push to open handle can be disabled to add on your chosen handle.

Leg can be removed to add an alternative option from our range.

Back: Carcass Grade Plywood with visible screws. We recommend securing the unit to a structural wall.

Package Dimensions/Weight: 370mm Long x 486mm High x 340mm Deep. Estimated 13kg

Proudly designed and made in NZ. Product comes assembled with legs able to be screwed on and off.