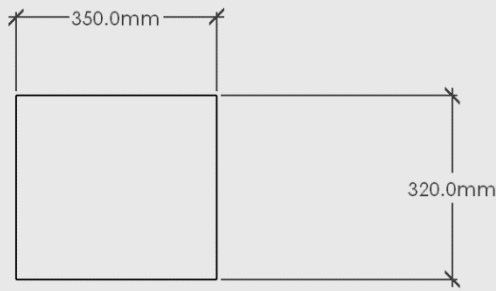
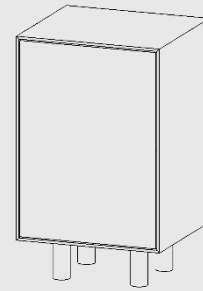


MOOD

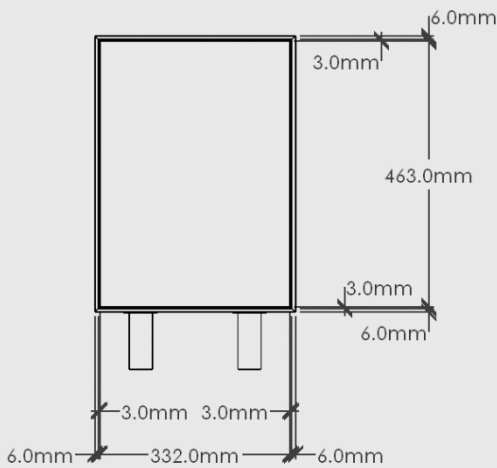
SLIM – 1 DOOR BEDSIDE (<) or (>)



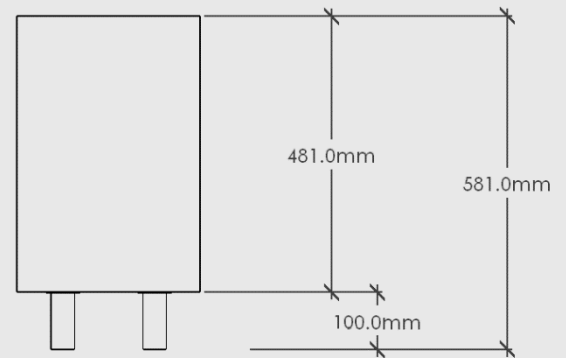
PLAN VIEW



3D VIEW



ELEVATION - FRONT



ELEVATION - SIDE

Slim – 1 Door Bedside (<) or (>)

Dimensions: 350mm Long x 581mm High x 320mm Deep

Shell/Fronts: Chosen Dulux Colour painted on 18mm Moisture Resistant MDF.

Carcass: 16mm SupaBlack Carcass Grade Plywood with 1mm Black Edging

Hardware: Blum Onyx Black Hinges mounted on left side

Handle: Push to Open

Leg: Doug Solid Timber Leg in chosen Dulux Colour

Hinged Side: Left (<) or Right (>)

Colour Options:



White



Blush



Sage



Navy



Terracotta



Grey



Black



Custom

Push to open handle can be disabled to add on your chosen handle.

Leg can be removed to add an alternative option from our range.

Back: Carcass Grade Plywood with visible screws. We recommend securing the unit to a structural wall.

Package Dimensions/Weight: 370mm Long x 486mm High x 340mm Deep. Estimated 13kg

Proudly designed and made in NZ. Product comes assembled with legs able to be screwed on and off.