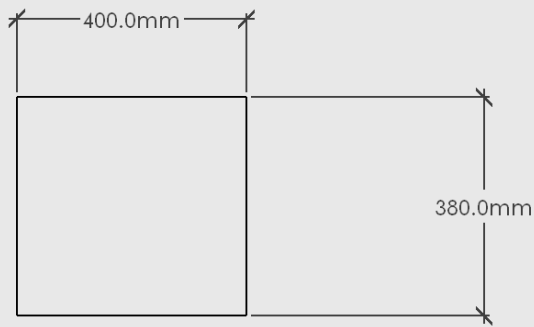
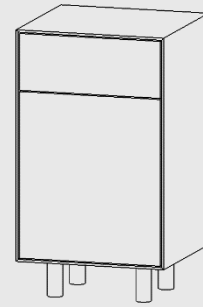


MOOD

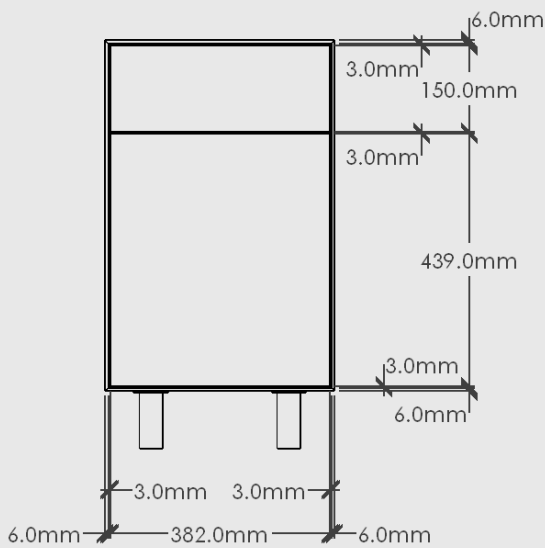
SLIM – 1 DRAWER 1 DOOR STUDY (<) or (>)



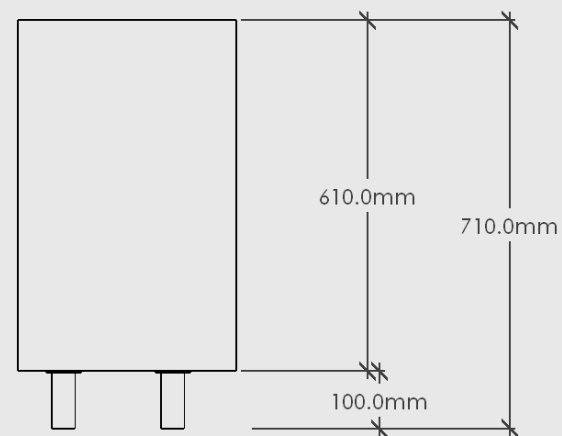
PLAN VIEW



3D VIEW



ELEVATION - FRONT



ELEVATION - SIDE

Slim – 1 Drawer 1 Door Study (<) or (>)

Dimensions: 400mm Long x 710mm High x 380mm Deep

Shell/Fronts: Chosen Timber Veneer on 18mm Birch Plywood. Stained Oiled Edges to match.

Carcass: 16mm SupaBlack Carcass Grade Plywood with 1mm Black Edging

Hardware: Innobox 350mm x 150mm White Steel German Made Runners or similar. Blum Onyx Black Hinges mounted on left side

Handle: Push to Open

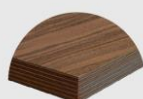
Leg: Doug Solid Timber Leg in chosen Timber colour

Hinged Side: Left (<) or Right (>)

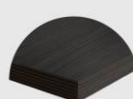
Colour Options:



Oak



Walnut



Black Oak

Push to open handle can be disabled to add on your chosen handle.

Leg can be removed to add an alternative option from our range.

Back: Carcass Grade Plywood with visible screws. We recommend securing the unit to a structural wall.

Package Dimensions/Weight: 420mm Long x 615mm High x 400mm Deep. Estimated 22kg

Proudly designed and made in NZ. Product comes assembled with legs able to be screwed on and off.