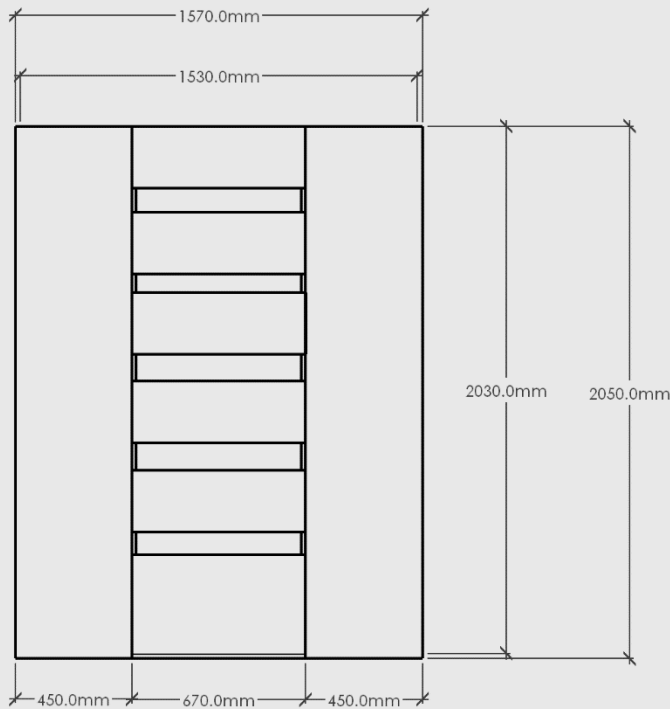
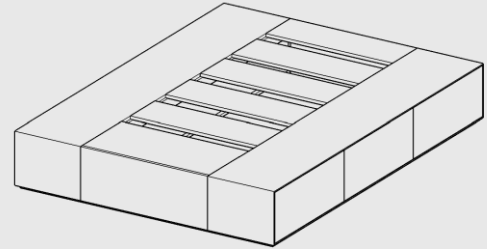


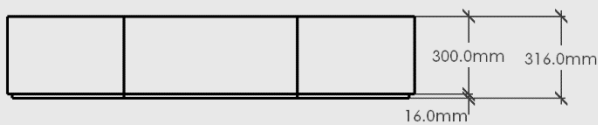
SLIM - STORE BED 7 DRAWER - QUEEN



PLAN VIEW



3D VIEW



ELEVATION - FRONT



ELEVATION - SIDE

Slim – Store Bed 7 Drawer - Queen

Dimensions: 2050mm Long x 1570mm Wide x 316mm High

Shell/Fronts: Chosen Timber Veneer on 18mm Birch Plywood. Stained Oiled Edges to match.

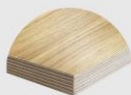
Carcass: 16mm SupaBlack Carcass Grade Plywood with 1mm Black Edging

Hardware: Innobox 400mm x 150mm White Steel German Made Runners or similar.

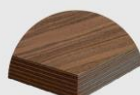
Handle: Push to Open

Leg: N/A

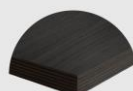
Colour Options:



Oak



Walnut



Black Oak

Push to open handle can be disabled to add on your chosen handle.

Package Dimensions/Weight:

2 x 2050mm Long x 450mm Wide x 316mm Deep. Estimated 58kg

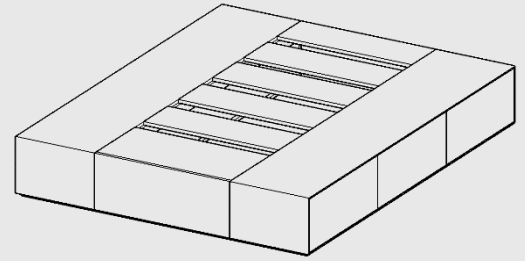
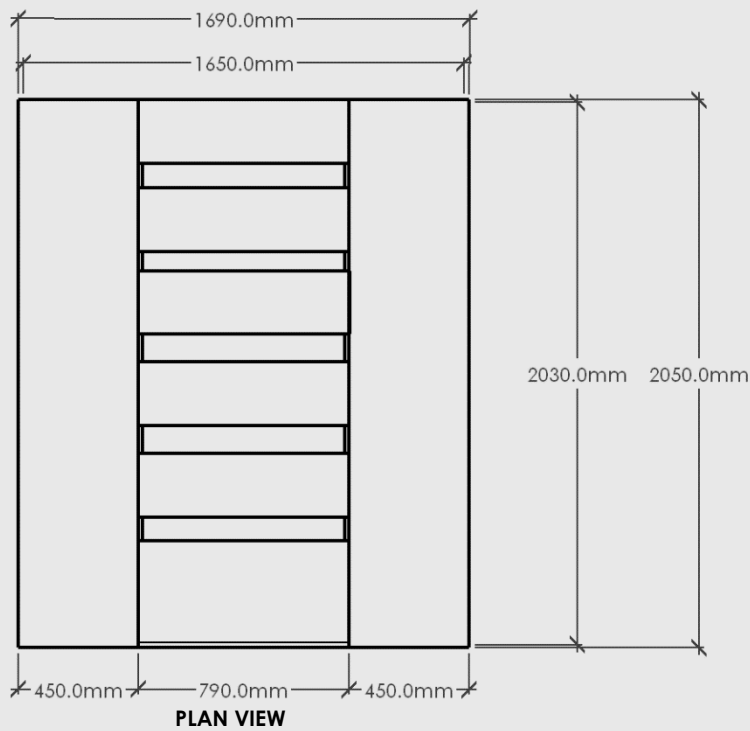
1 x 670mm Long x 450mm Wide x 316mm Deep. Estimated 19kg

1 x 670mm Long x 240mm Wide x 90mm Deep. Estimated 1kg - Slats

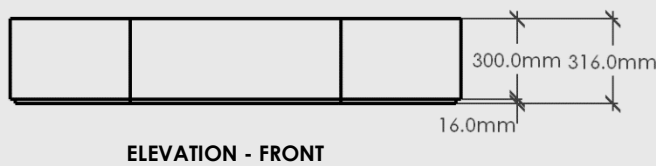
Proudly designed and made in NZ. Instructions to assemble found on the back of this document.

SLIM - STORE BED 7 DRAWER - KING

MOOD



3D VIEW



ELEVATION - SIDE

Slim – Store Bed 7 Drawer - King

Dimensions: 2050mm Long x 1690mm Wide x 316mm High

Shell/Fronts: Chosen Timber Veneer on 18mm Birch Plywood. Stained Oiled Edges to match.

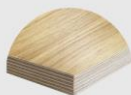
Carcass: 16mm SupaBlack Carcass Grade Plywood with 1mm Black Edging

Hardware: Innobox 400mm x 150mm White Steel German Made Runners or similar.

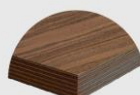
Handle: Push to Open

Leg: N/A

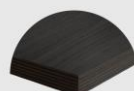
Colour Options:



Oak



Walnut



Black Oak

Push to open handle can be disabled to add on your chosen handle.

Package Dimensions/Weight:

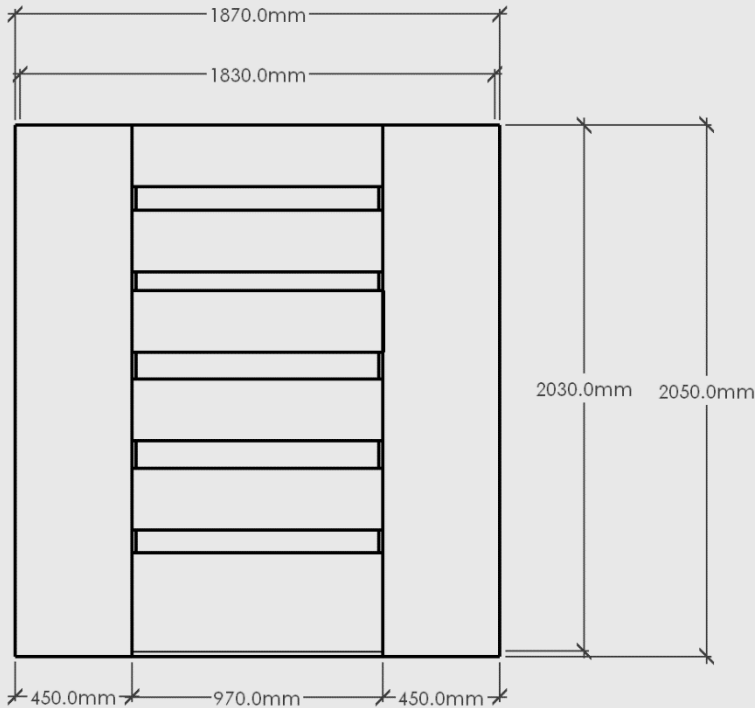
2 x 2050mm Long x 450mm Wide x 316mm Deep. Estimated 58kg

1 x 790mm Long x 450mm Wide x 316mm Deep. Estimated 19kg

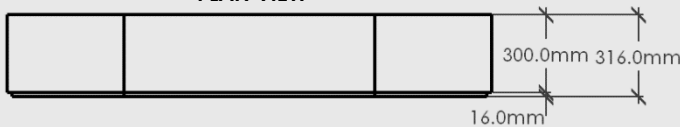
1 x 790mm Long x 240mm Wide x 90mm Deep. Estimated 1kg - Slats

Proudly designed and made in NZ. Instructions to assemble found on the back of this document.

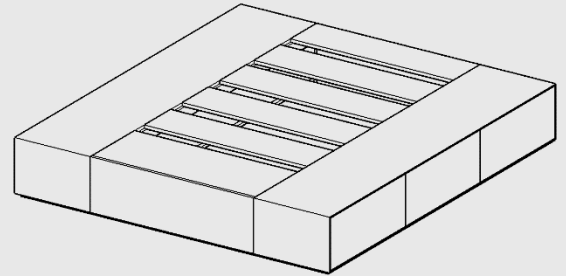
SLIM - STORE BED 7 DRAWER – SUPER KING



PLAN VIEW



ELEVATION - FRONT



3D VIEW



ELEVATION - SIDE

Slim – Store Bed 7 Drawer – Super King

Dimensions: 2050mm Long x 1870mm Wide x 316mm High

Shell/Fronts: Chosen Timber Veneer on 18mm Birch Plywood. Stained Oiled Edges to match.

Carcass: 16mm SupaBlack Carcass Grade Plywood with 1mm Black Edging

Hardware: Innobox 400mm x 150mm White Steel German Made Runners or similar.

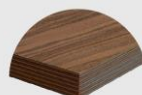
Handle: Push to Open

Leg: N/A

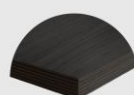
Colour Options:



Oak



Walnut



Black Oak

Push to open handle can be disabled to add on your chosen handle.

Package Dimensions/Weight:

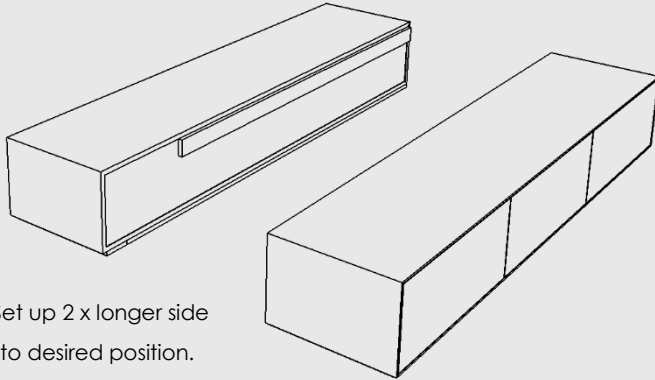
2 x 2050mm Long x 450mm Wide x 316mm Deep. Estimated 58kg

1 x 970mm Long x 450mm Wide x 316mm Deep. Estimated 19kg

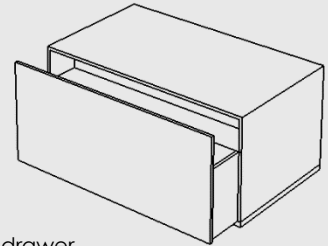
1 x 970mm Long x 240mm Wide x 90mm Deep. Estimated 1kg - Slats

Proudly designed and made in NZ. Instructions to assemble found on the back of this document.

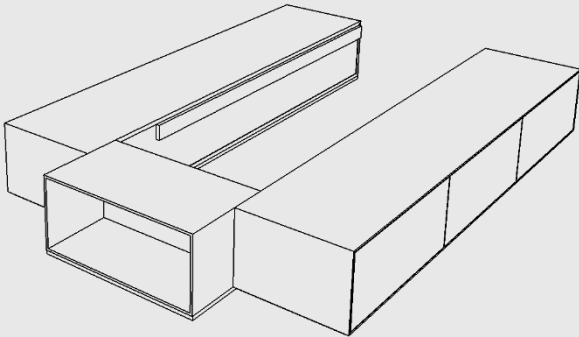
INSTRUCTIONS – ALL SIZES



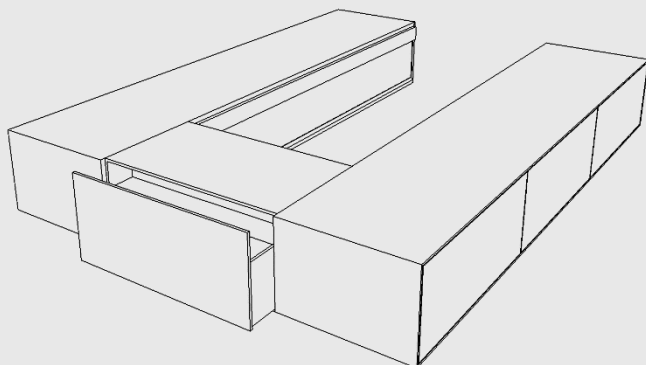
Step 1: Set up 2 x longer side boxes into desired position.



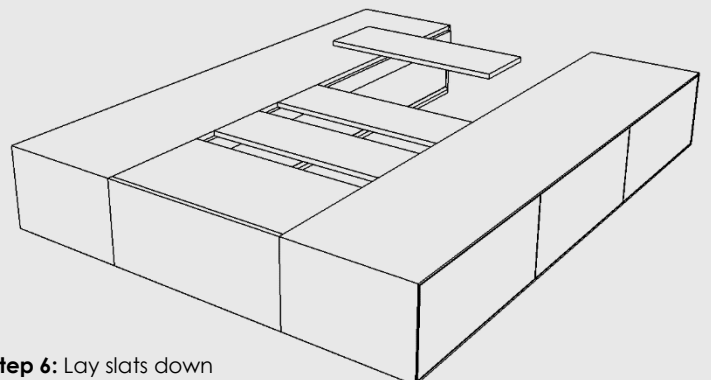
Step 2: Take the drawer out of the shorter foot box.



Step 3: Slide the shorter foot box between the longer side boxes. This should sit on top of the back rail and hard back of the longer side box.



Step 5: Install the bottom drawer back into the shorter foot box. This should be flush with the bottom of the bed.



Step 6: Lay slats down into position.