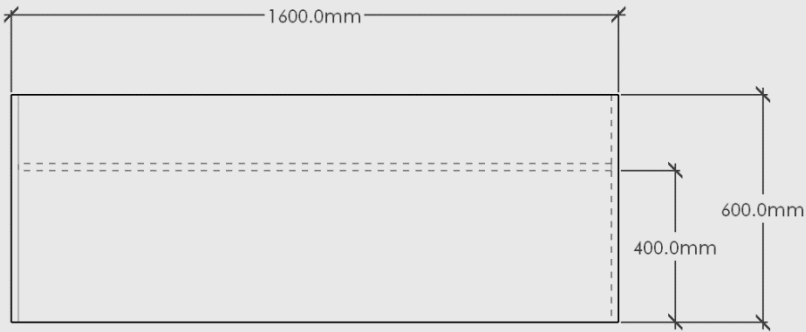
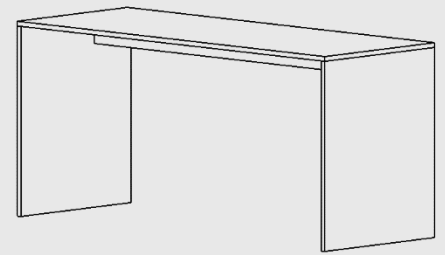


SIMPLE DESK – 1600MM X 600MM

MOOD



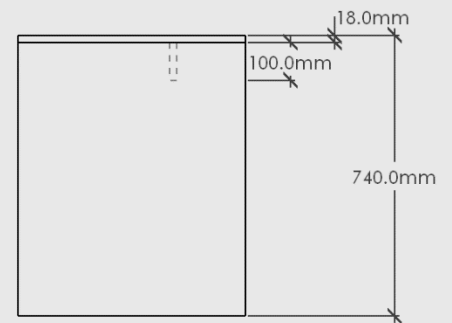
PLAN VIEW



3D VIEW



ELEVATION - FRONT



ELEVATION - SIDE

Simple Desk – 1600mm x 600mm

Dimensions: 1600mm Long x 740mm High x 600mm Deep

Leg: Simple Leg to match Top Material.

Top Material Options:



Oak Plywood



SupaWhite Plywood

Package Dimensions/Weight:

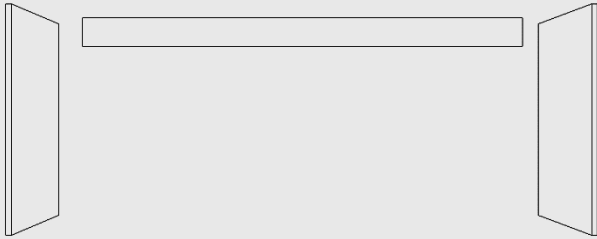
Box 1: 1630mm x 640mm x 60mm – Estimated 20kg

Box 2: 1630mm x 120mm x 40mm – Estimated 2kg

Proudly designed and made in NZ. Product comes flat packed.

INSTRUCTIONS

MOOD



Step 1: Screw Legs onto the Top Rail using cams provided.



Step 2: Fit both ends to the rail to make an H shape and tighten cams.



Step 3: Place Top on Leg Sides and Top Rail so all dowels are into their holes. Loosen all cams when top is on and tighten the top cams, then re-tighten rail cams.