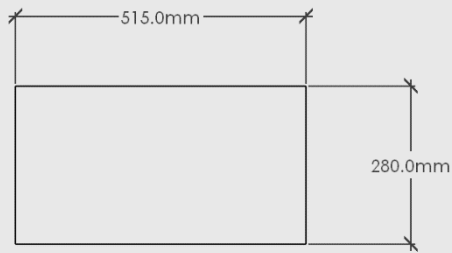
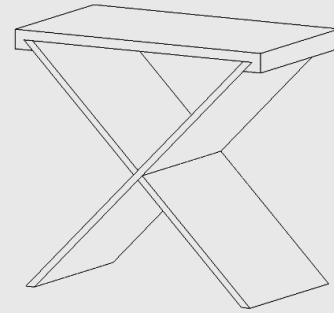


HARVEY SEAT

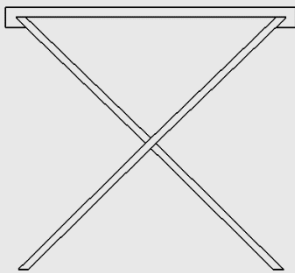
MOOD



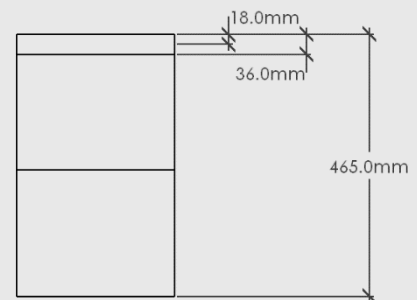
PLAN VIEW



3D VIEW



ELEVATION - FRONT



ELEVATION - SIDE

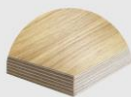
Harvey Seat

Dimensions: 515mm Long x 465mm High x 280mm Deep

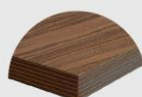
Top Material: Chosen Timber Veneer on 18mm Birch Plywood. Stained Oiled Edges to match.

Leg: Harvey Fold-Away Legs to match Top Material.

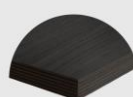
Colour Options:



Oak



Walnut



Black Oak

Package Dimensions/Weight: 690mm x 300mm x 80mm. Estimated 5kg

Product comes flat packed.

Proudly designed and made in NZ.