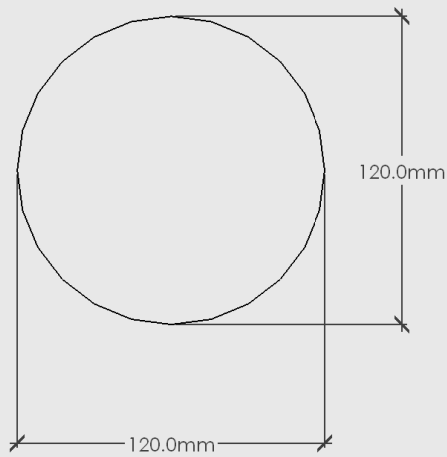
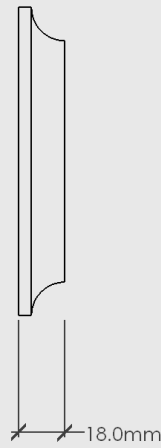


## HARLEY TIMBER HANDLE

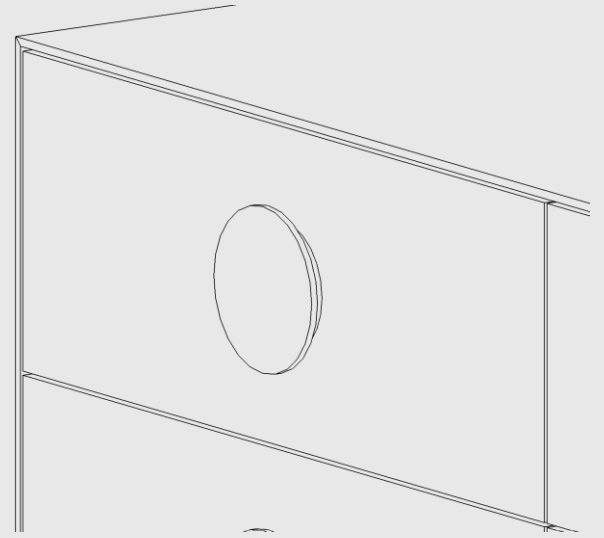
# MOOD



ELEVATION - FRONT



ELEVATION - SIDE



3D VIEW

Harley Timber Handle

Dimensions: 120mm x 120mm x 18mm Thick

Material: Chosen Timber Veneer on 18mm Birch Plywood. Stained Oiled Edges to match.

Hardware: Includes 2 x Screws

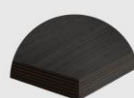
Colour Options:



Oak



Walnut



Black Oak

Package Dimensions/Weight: 130mm x 130mm x 20mm. Estimated 1kg

Proudly designed and made in NZ.