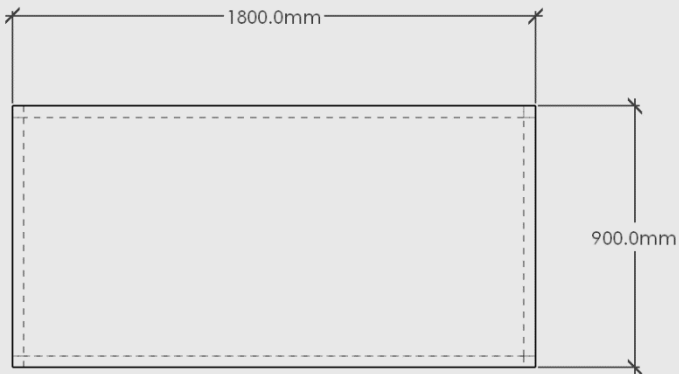
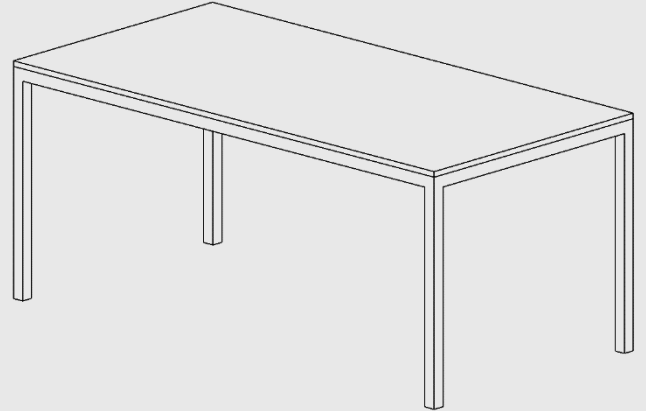


# MOOD

## FRAMED DINING TABLE – 1.8M X 0.9M



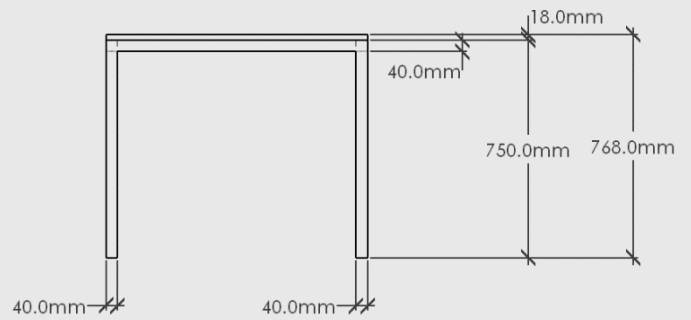
PLAN VIEW



3D VIEW



ELEVATION - FRONT



ELEVATION - SIDE

Framed Dining Table – 1.8m x 0.9m

Dimensions: 1800mm Long x 768mm High x 900mm Deep

Top Material: Chosen Timber Veneer on 18mm Birch Plywood. Stained Oiled Edges to match.

Leg: Framed Black or White Powder Coated Steel

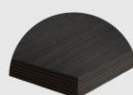
Colour Options:



Oak



Walnut



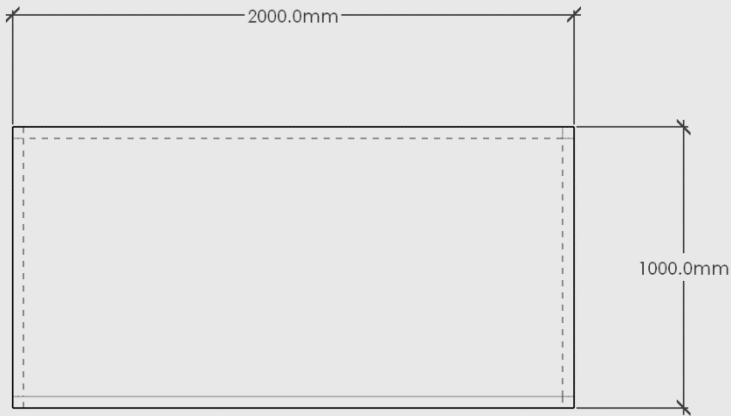
Black Oak

Weight: ~40kg

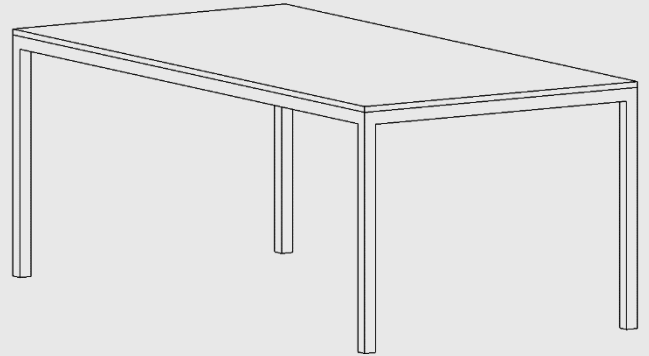
Proudly designed and made in NZ. Product comes assembled.

## FRAMED DINING TABLE – 2M X 1M

# MOOD



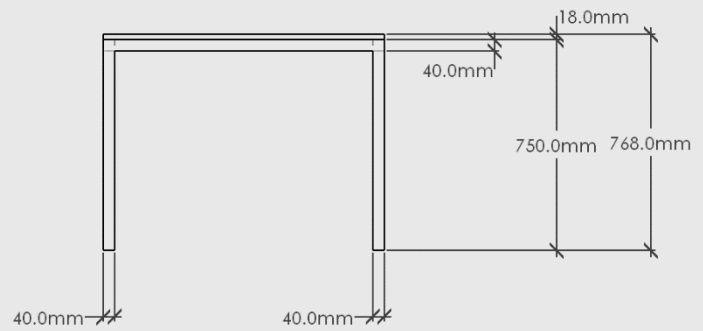
PLAN VIEW



3D VIEW



ELEVATION - FRONT



ELEVATION - SIDE

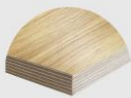
Framed Dining Table – 2m x 1m

Dimensions: 2000mm Long x 768mm High x 1000mm Deep

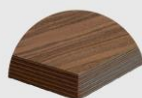
Top Material: Chosen Timber Veneer on 18mm Birch Plywood. Stained Oiled Edges to match.

Leg: Framed Black or White Powder Coated Steel

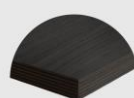
Colour Options:



Oak



Walnut



Black Oak

Weight: ~40kg

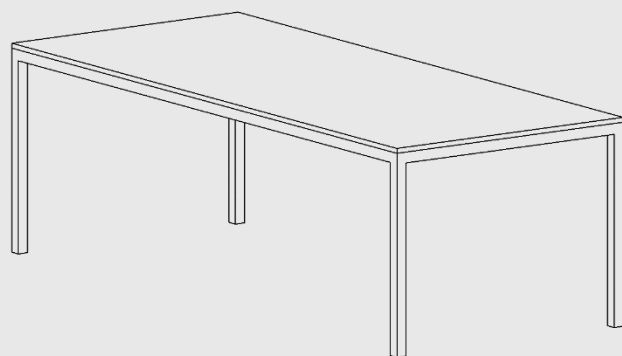
Proudly designed and made in NZ. Product comes assembled.

## FRAMED DINING TABLE – 2.4M X 1M

# MOOD



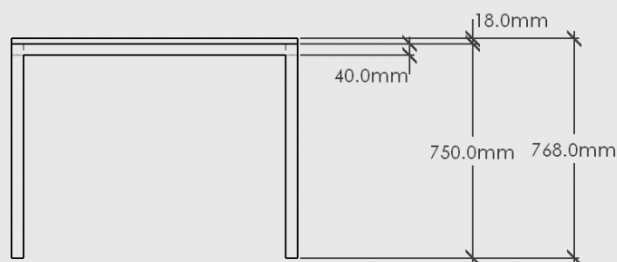
PLAN VIEW



3D VIEW



ELEVATION - FRONT



ELEVATION - SIDE

Framed Dining Table – 2.4m x 1m

Dimensions: 2400mm Long x 768mm High x 1000mm Deep

Top Material: Chosen Timber Veneer on 18mm Birch Plywood. Stained Oiled Edges to match.

Leg: Framed Black or White Powder Coated Steel

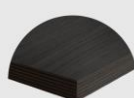
Colour Options:



Oak



Walnut



Black Oak

Weight: ~40kg

Proudly designed and made in NZ. Product comes assembled.