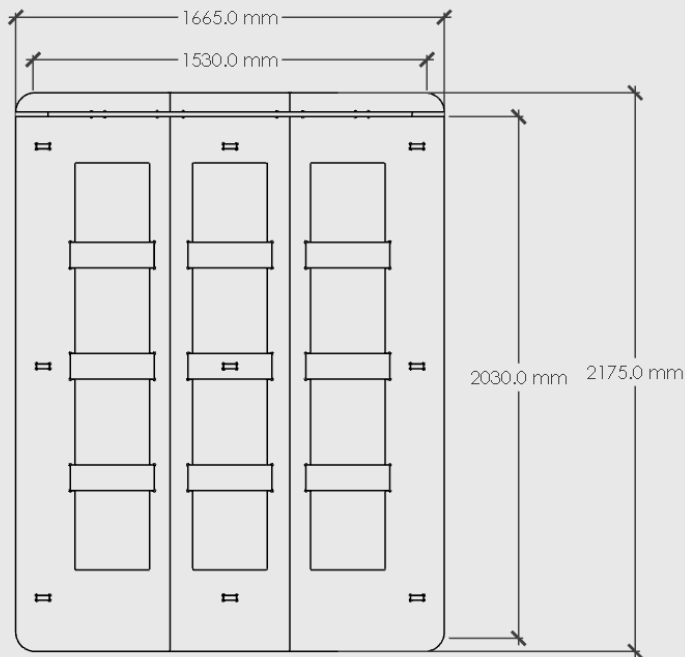
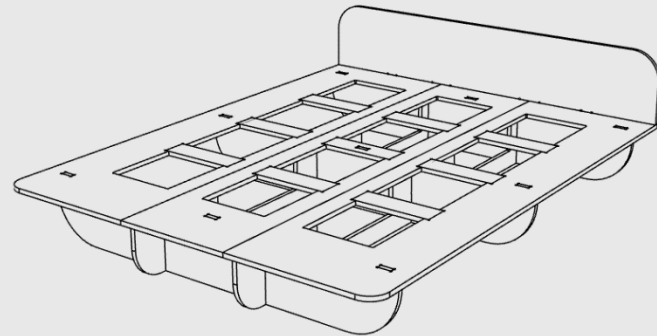


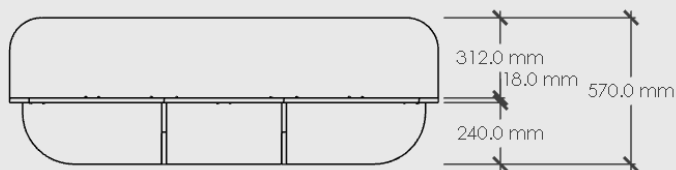
FLAT TIMBER BED - QUEEN



PLAN VIEW



3D VIEW



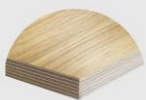
ELEVATION - FRONT

Flat Timber Bed - Queen

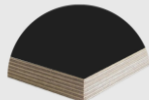
Dimensions: 2175mm Long x 1665mm Wide x 570mm High. Suits a Queen Mattress (2030mm x 1530mm)

Material: Chosen Colour on 18mm Birch Plywood

Colour Options:



Oak Ply



SupaBlack Ply



SupaWhite Ply

Product comes flat packed with easy assembly. No screws or tools required. All parts lock in together. Instructions found at the back of this document.

Package Dimensions/Weight:

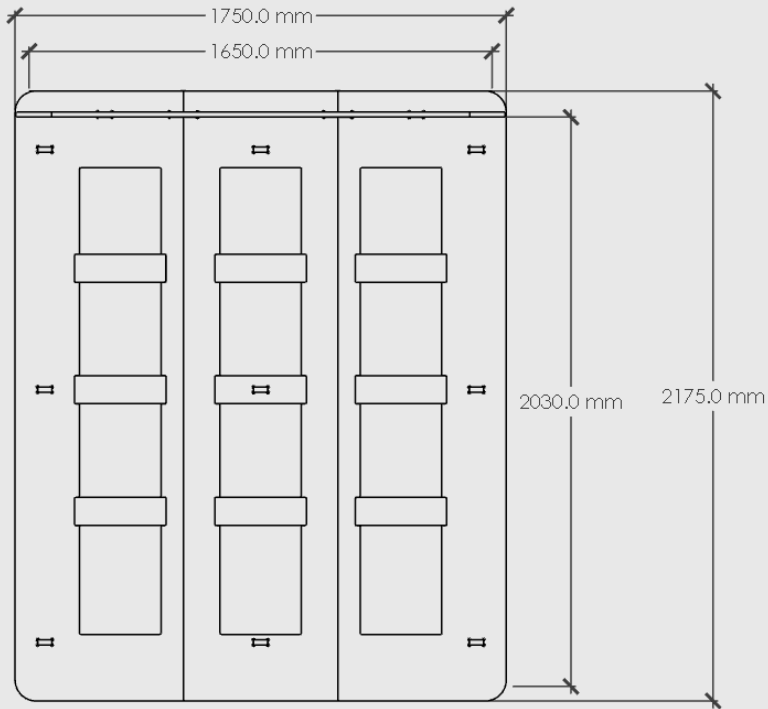
Box 1: 2200mm Long x 670mm Deep x 90mm High. Estimated 80kg

Box 2: 1690mm Long x 380mm Deep x 100mm High. Estimated 40kg

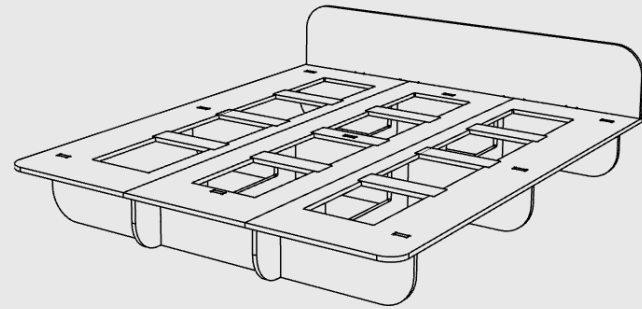
Proudly designed and made in NZ.

FLAT TIMBER BED - KING

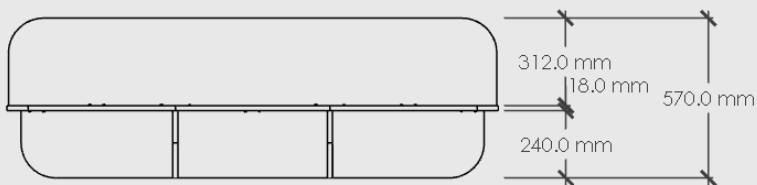
MOOD



PLAN VIEW



3D VIEW



ELEVATION - FRONT

Flat Timber Bed - King

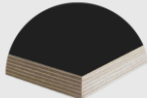
Dimensions: 2175mm Long x 1750mm Wide x 570mm High. Suits a King Mattress (2030mm x 1650mm)

Material: Chosen Colour on 18mm Birch Plywood

Colour Options:



Oak Ply



SupaBlack Ply



SupaWhite Ply

Product comes flat packed with easy assembly. No screws or tools required. All parts lock in together. Instructions found at the back of this document.

Package Dimensions/Weight:

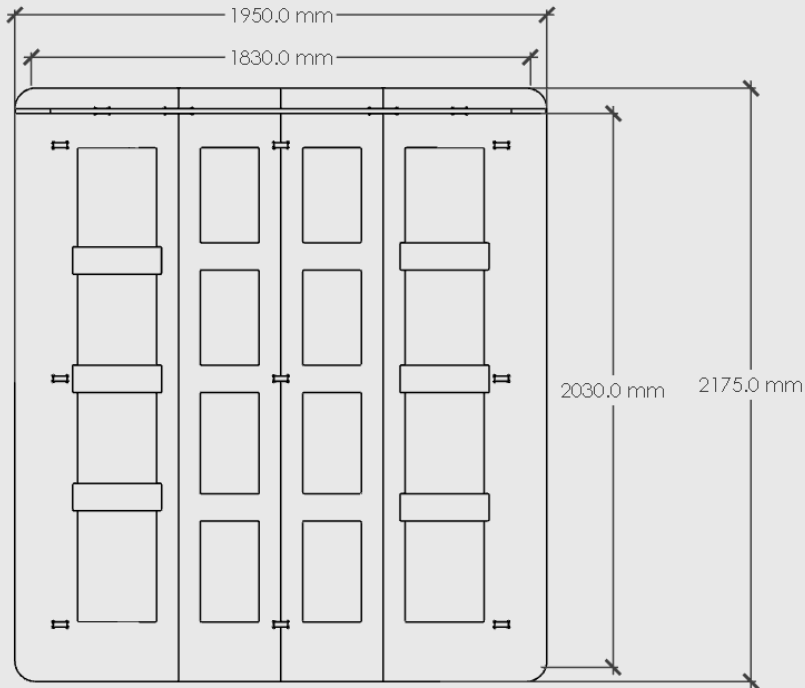
Box 1: 2200mm Long x 670mm Deep x 90mm High. Estimated 80kg

Box 2: 1795mm Long x 380mm Deep x 100mm High. Estimated 40kg

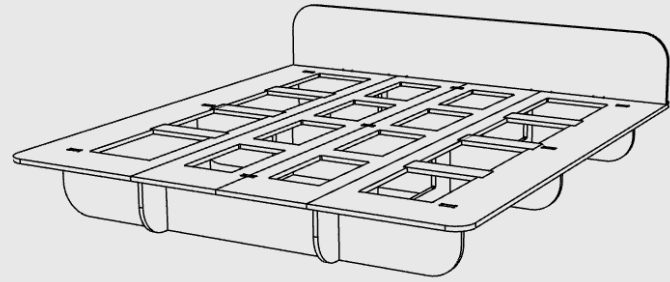
Proudly designed and made in NZ.

FLAT TIMBER BED – SUPER KING

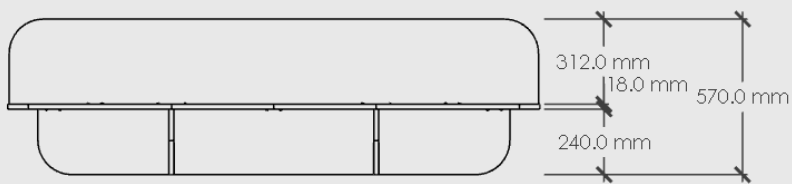
MOOD



PLAN VIEW



3D VIEW



ELEVATION - FRONT

Flat Timber Bed – Super King

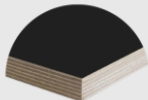
Dimensions: 2175mm Long x 1950mm Wide x 570mm High. Suits a Super King Mattress (2030mm x 1830mm)

Material: Chosen Colour on 18mm Birch Plywood

Colour Options:



Oak Ply



SupaBlack Ply



SupaWhite Ply

Product comes flat packed with easy assembly. No screws or tools required. All parts lock in together. Instructions found at the back of this document.

Package Dimensions/Weight:

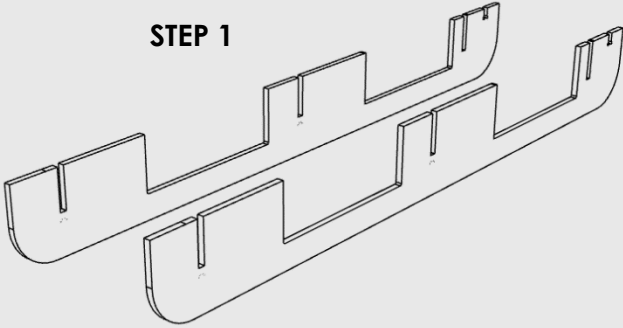
Box 1: 2200mm Long x 670mm Deep x 90mm High. Estimated 80kg

Box 2: 1975mm Long x 380mm Deep x 100mm High. Estimated 40kg

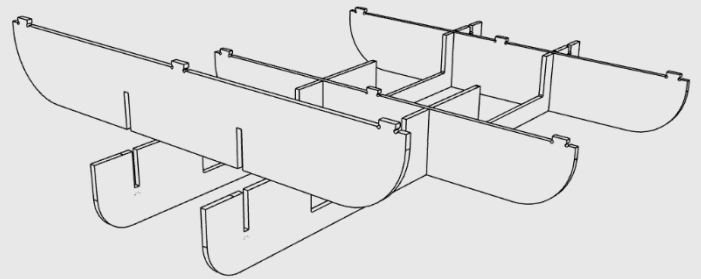
Proudly designed and made in NZ.

INSTRUCTIONS

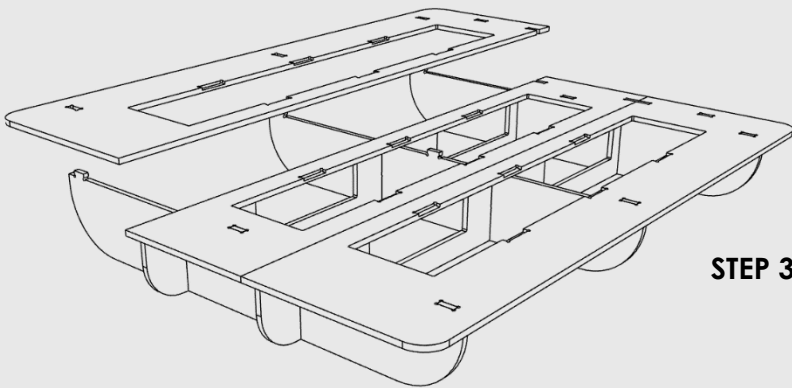
STEP 1



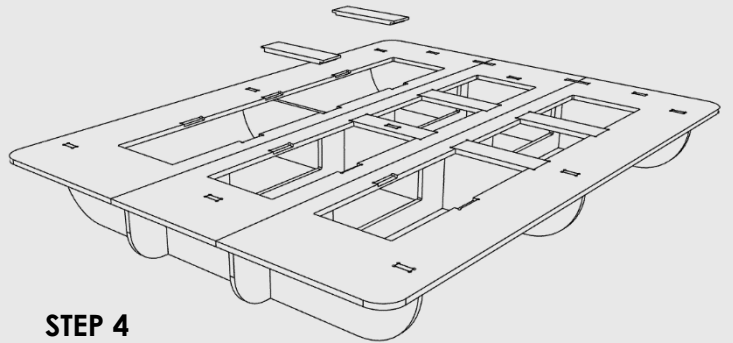
STEP 2



STEP 3



STEP 4



STEP 5

