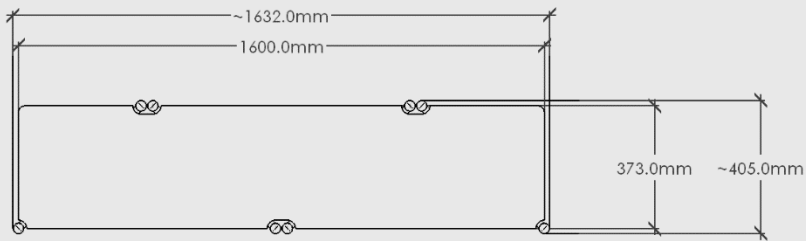
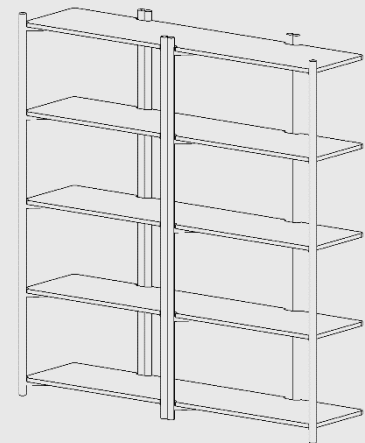


## DOUG SHELF – LARGE

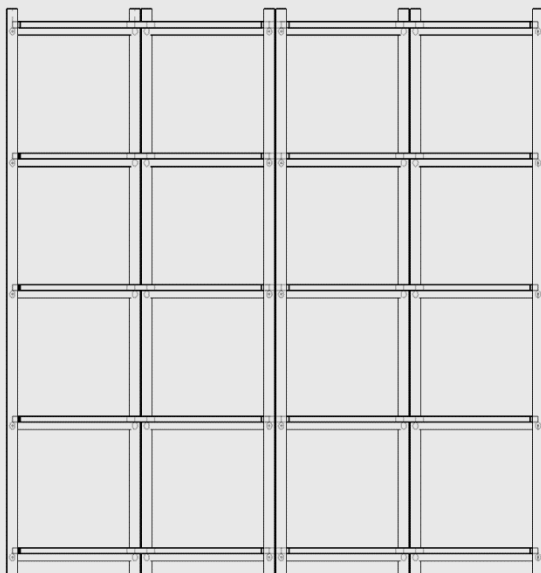
# MOOD



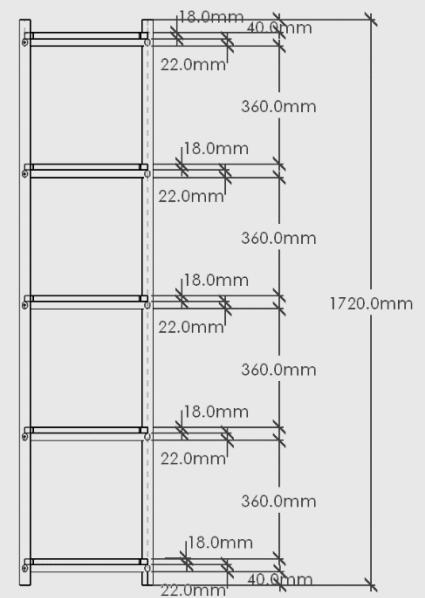
PLAN VIEW



3D VIEW



ELEVATION - FRONT



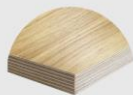
ELEVATION - SIDE

Doug Shelf - Large

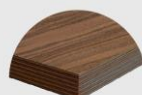
Dimensions: ~1720mm x ~1632mm x ~405mm

Material: Chosen Timber Veneer on 18mm Birch Plywood. Stained Oiled Edges to match.

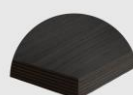
Colour Options:



Oak



Walnut



Black Oak

Product comes flat packed.

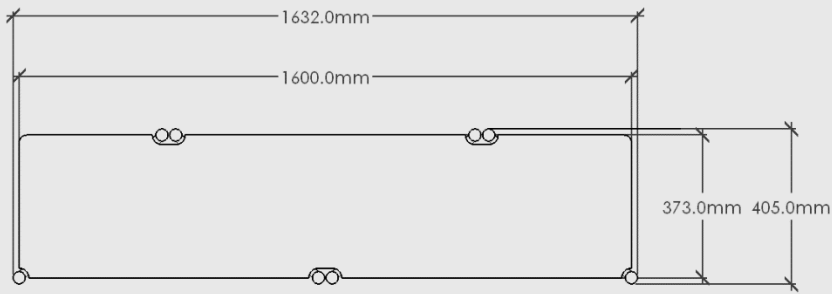
Package Dimensions/Weight:

- Box 1: ~1610mm x ~380mm x ~100mm : Shelves : ~20kg
- Box 2: ~1730mm x ~410mm x ~150mm : Ladders : ~20kg

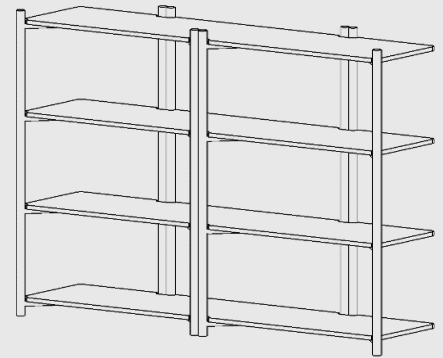
Proudly designed and made in NZ.

## DOUG SHELF – MEDIUM

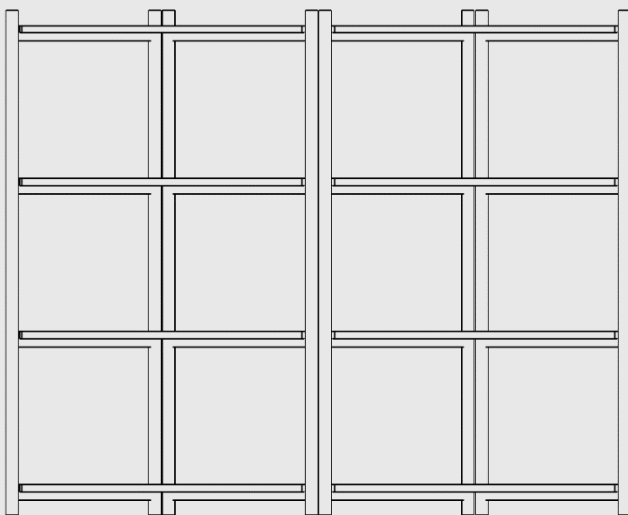
# MOOD



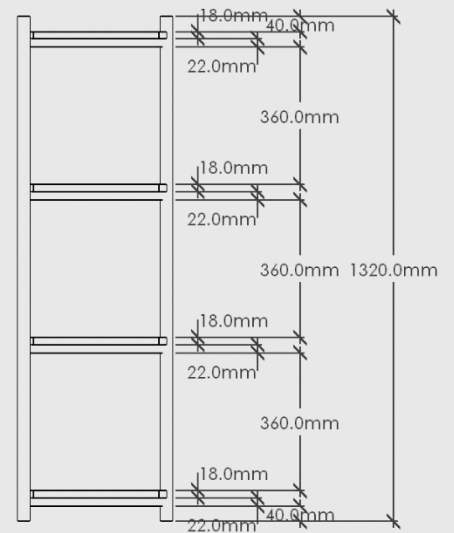
PLAN VIEW



3D VIEW



ELEVATION - FRONT



ELEVATION - SIDE

Doug Shelf - Medium

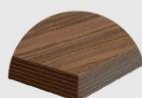
Dimensions: ~1320mm x ~1632mm x ~405mm

Material: Chosen Timber Veneer on 18mm Birch Plywood. Stained Oiled Edges to match.

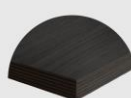
Colour Options:



Oak



Walnut



Black Oak

Product comes flat packed.

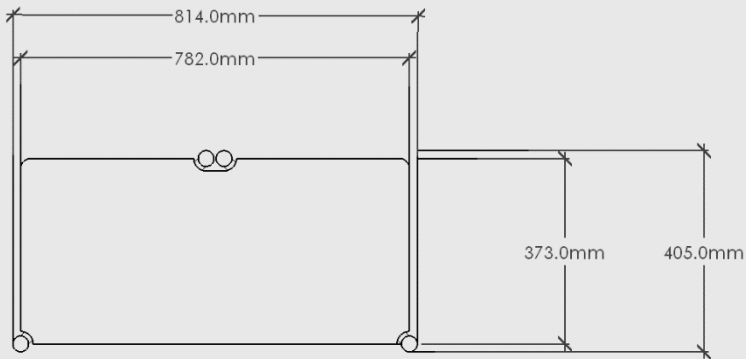
Package Dimensions/Weight:

- Box 1: ~1610mm x ~380mm x ~100mm : Shelves : ~20kg
- Box 2: ~1330mm x ~410mm x ~150mm : Ladders : ~20kg

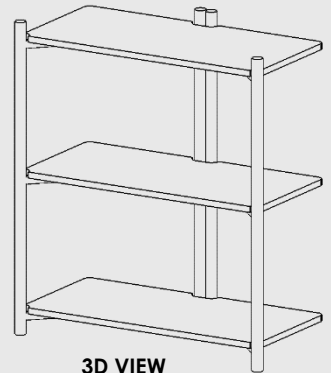
Proudly designed and made in NZ.

## DOUG SHELF – SMALL

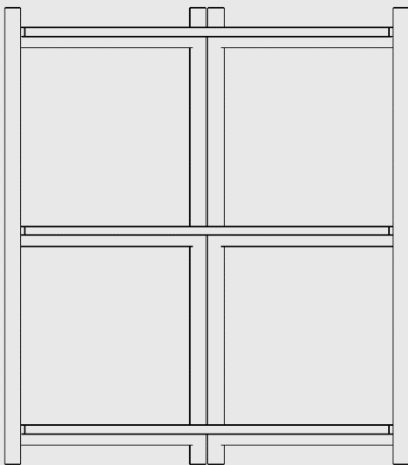
# MOOD



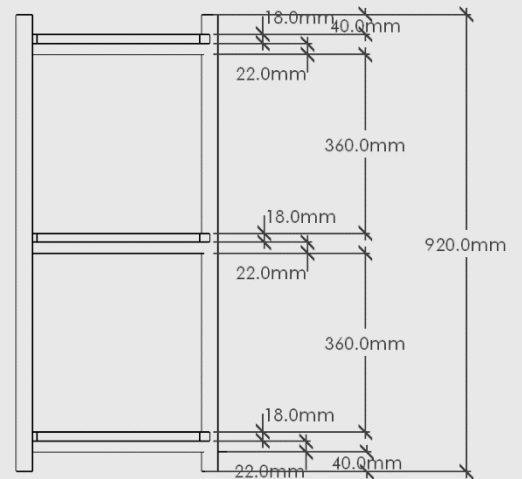
PLAN VIEW



3D VIEW



ELEVATION - FRONT



ELEVATION - SIDE

Doug Shelf - Small

Dimensions: ~920mm x ~814mm x ~405mm

Material: Chosen Timber Veneer on 18mm Birch Plywood. Stained Oiled Edges to match.

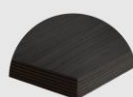
Colour Options:



Oak



Walnut



Black Oak

Product comes flat packed.

Package Dimensions/Weight:

- Box 1: ~800mm x ~380mm x ~60mm : Shelves : ~10kg
- Box 2: ~930mm x ~410mm x ~70mm : Ladders : ~10kg

Proudly designed and made in NZ.