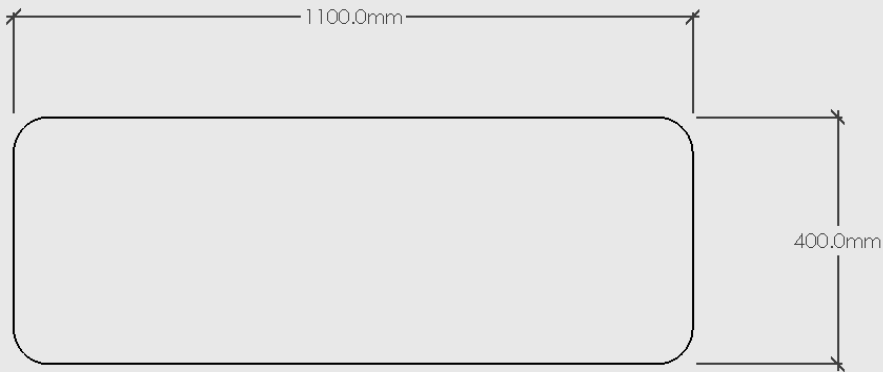
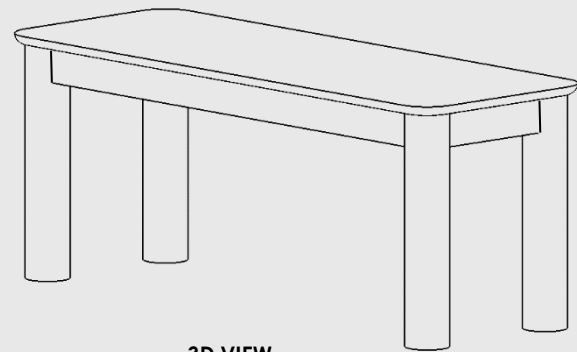


## DOUG BENCH – 1.1M X 0.4M

# MOOD



PLAN VIEW



3D VIEW



ELEVATION - FRONT

Doug Bench – 1.1m x 0.4m

Dimensions: 1100mm Long x 400mm Deep x 438mm High

Top Material: Chosen Timber Veneer on 18mm Birch Plywood. Stained Oiled Edges to match.

Leg: Solid Timber Leg in chosen Timber colour.

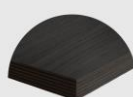
Colour Options:



Oak



Walnut



Black Oak

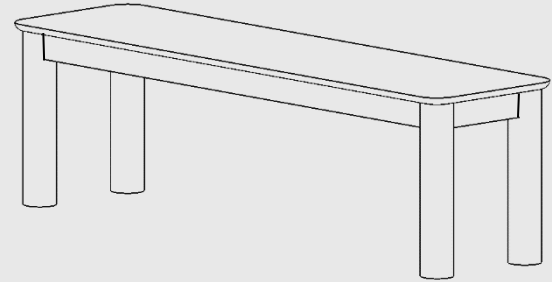
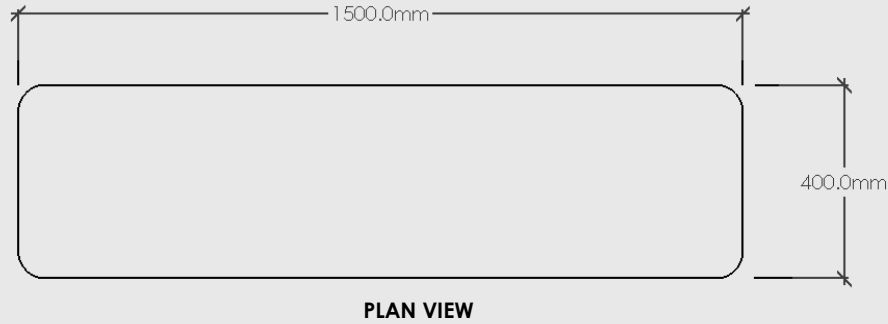
Weight: ~20kg

Package Dimensions: Same as Product Dimensions

Proudly designed and made in NZ. Product comes assembled.

## DOUG BENCH – 1.5M X 0.4M

# MOOD



**3D VIEW**



Doug Bench – 1.5m x 0.4m

Dimensions: 1500mm Long x 400mm Deep x 438mm High

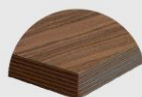
Top Material: Chosen Timber Veneer on 18mm Birch Plywood. Stained Oiled Edges to match.

Leg: Solid Timber Leg in chosen Timber colour.

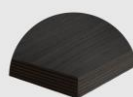
Colour Options:



Oak



Walnut



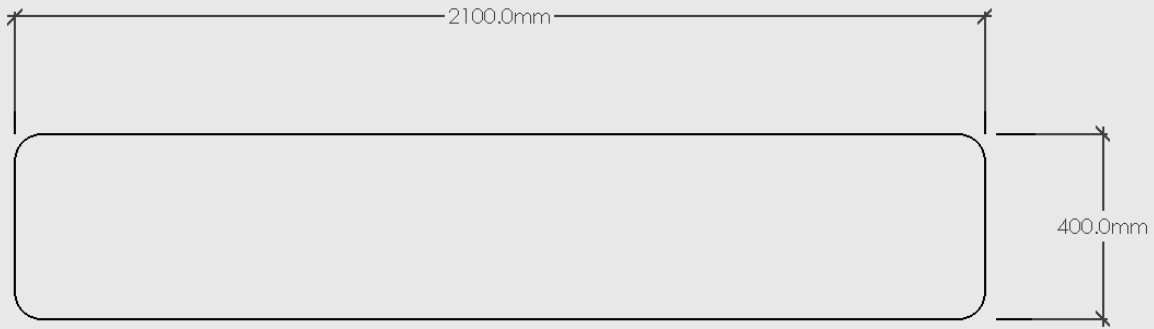
Black Oak

Weight: ~20kg

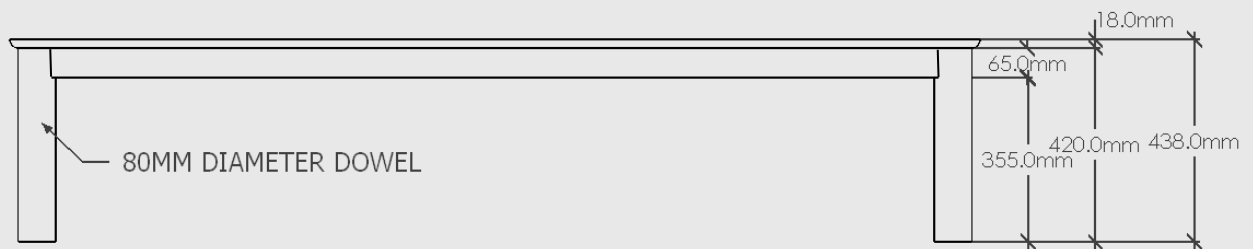
Package Dimensions: Same as Product Dimensions

Proudly designed and made in NZ. Product comes assembled.

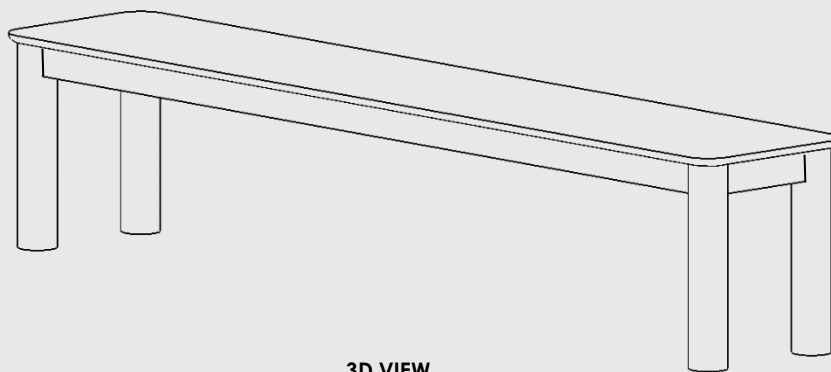
## DOUG BENCH – 2.1M X 0.4M



PLAN VIEW



ELEVATION - FRONT



3D VIEW

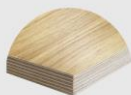
Doug Bench – 2.1m x 0.4m

Dimensions: 2100mm Long x 400mm Deep x 438mm High

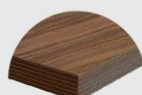
Top Material: Chosen Timber Veneer on 18mm Birch Plywood. Stained Oiled Edges to match.

Leg: Solid Timber Leg in chosen Timber colour.

Colour Options:



Oak



Walnut



Black Oak

Weight: ~20kg

Package Dimensions: Same as Product Dimensions

Proudly designed and made in NZ. Product comes assembled.