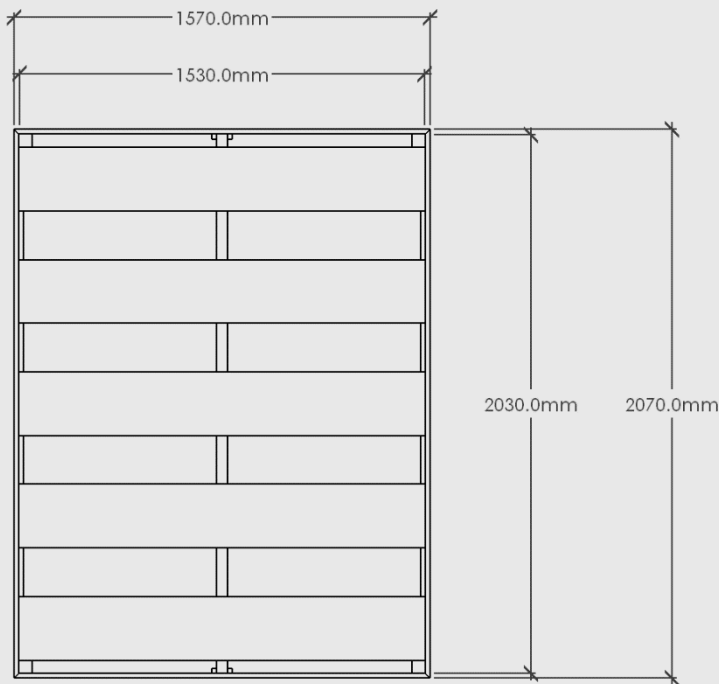
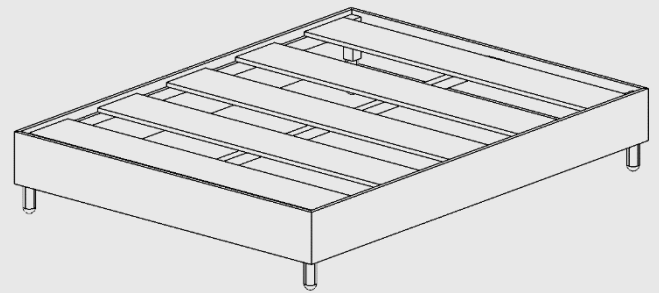


DOUG BED - QUEEN

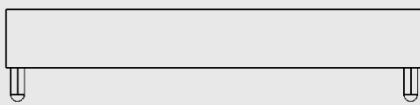
MOOD



PLAN VIEW



3D VIEW



ELEVATION - FRONT



ELEVATION - SIDE

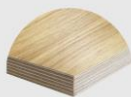
Doug Bed - Queen

Dimensions: 2070mm Long x 345mm High x 1570mm Deep

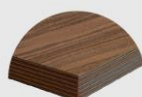
Frame: Chosen Timber Veneer on 18mm Birch Plywood. Stained Oiled Edges to match.

Leg: Doug Solid Timber Leg in chosen Timber colour

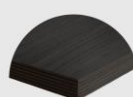
Colour Options:



Oak



Walnut



Black Oak

Package Dimensions/Weight:

Box 1 - 2080x350x100 - 5kg – Side Rails

Box 2 - 1580x220x40 - 5kg – Hb/Fb

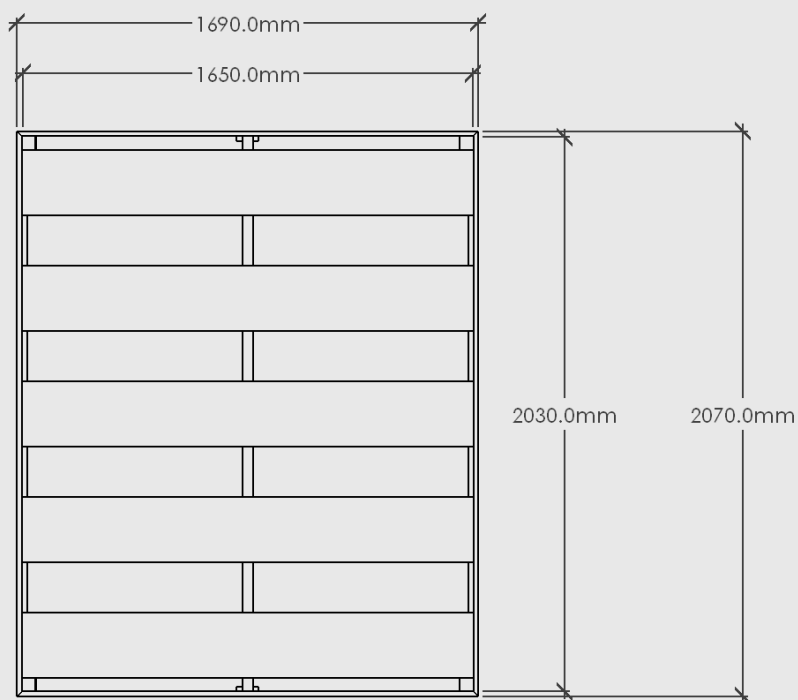
Box 3 - 1580x240x100 - 10kg – Slats

Box 4 - 2030x45x45 - 1kg – Centre Rail

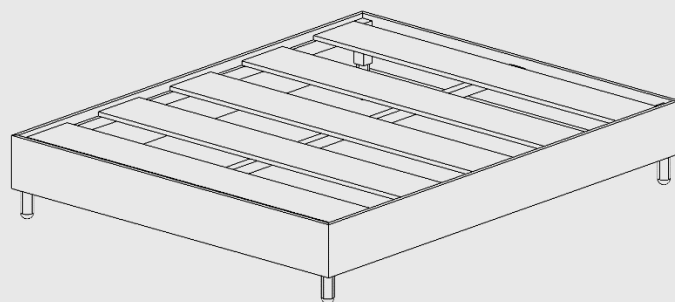
Proudly designed and made in NZ. Instructions to assemble found on the back of this document.

DOUG BED - KING

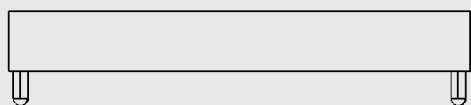
MOOD



PLAN VIEW



3D VIEW



ELEVATION - FRONT



ELEVATION - SIDE

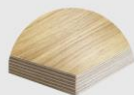
Doug Bed – King

Dimensions: 2070mm Long x 345mm High x 1690mm Deep

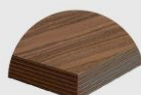
Frame: Chosen Timber Veneer on 18mm Birch Plywood. Stained Oiled Edges to match.

Leg: Doug Solid Timber Leg in chosen Timber colour

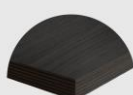
Colour Options:



Oak



Walnut



Black Oak

Package Dimensions/Weight:

Box 1 - 2080x350x100 - 5kg – Side Rails

Box 2 - 1700x220x40 - 5kg – Hb/Fb

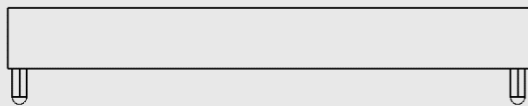
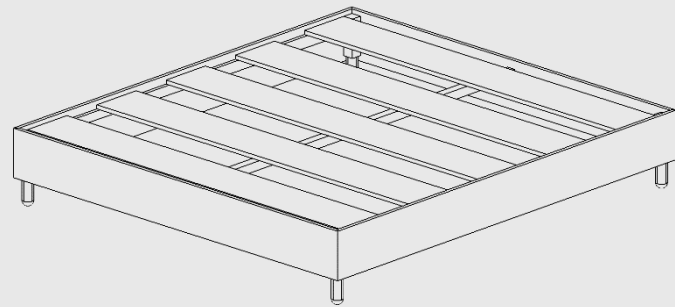
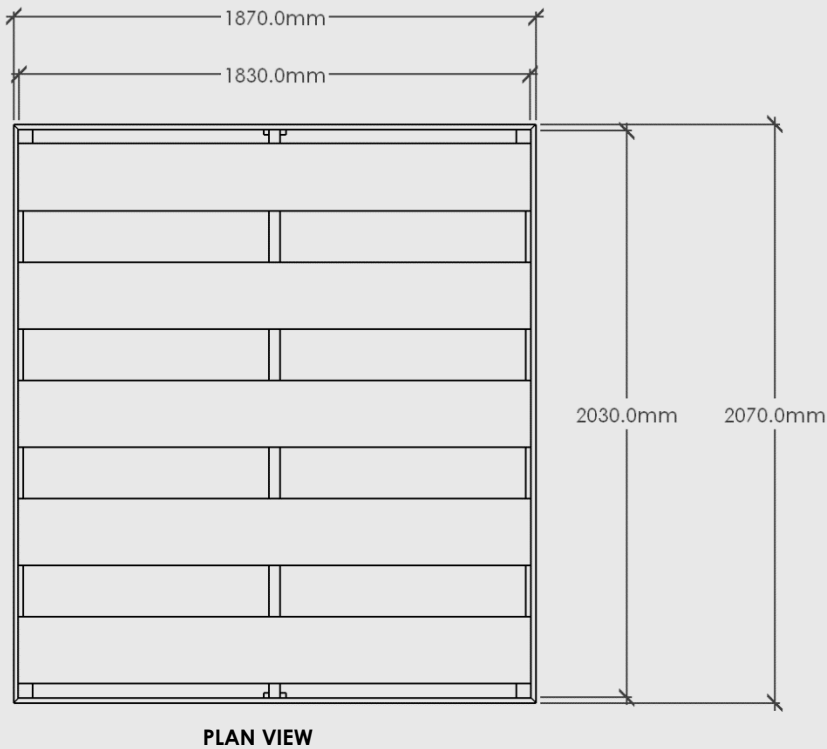
Box 3 - 1700x240x100 - 10kg – Slats

Box 4 - 2030x45x45 - 1kg – Centre Rail

Proudly designed and made in NZ. Instructions to assemble found on the back of this document.

DOUG BED – SUPER KING

MOOD



Doug Bed – Super King

Dimensions: 2070mm Long x 345mm High x 1870mm Deep

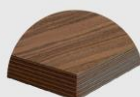
Frame: Chosen Timber Veneer on 18mm Birch Plywood. Stained Oiled Edges to match.

Leg: Doug Solid Timber Leg in chosen Timber colour

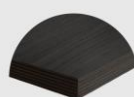
Colour Options:



Oak



Walnut



Black Oak

Package Dimensions/Weight:

Box 1 - 2080x350x100 - 5kg – Side Rails

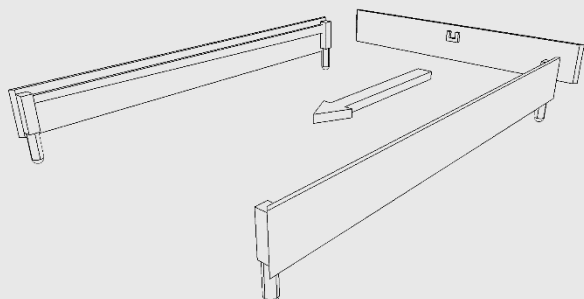
Box 2 - 1880x220x40 - 5kg – Hb/Fb

Box 3 - 1880x240x100 - 10kg – Slats

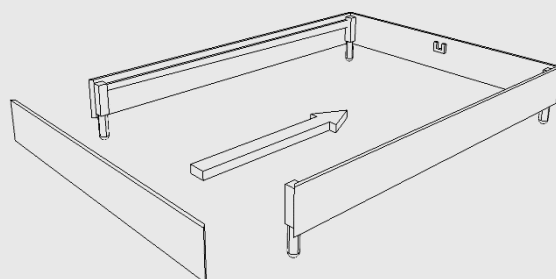
Box 4 - 2030x45x45 - 1kg – Centre Rail

Proudly designed and made in NZ. Instructions to assemble found on the back of this document.

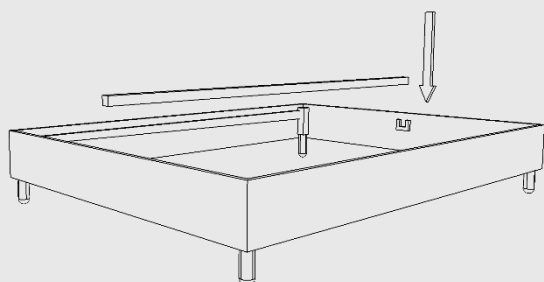
INSTRUCTIONS



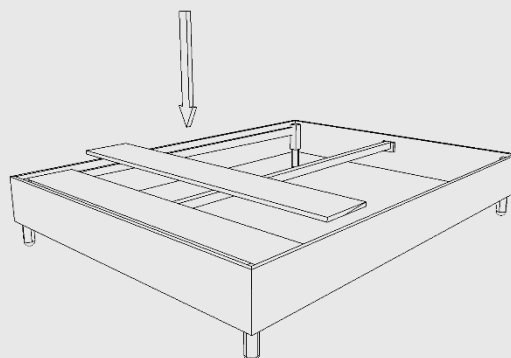
Step 1: Place side rails upright and connect the headboard end with screws.



Step 2: Connect the other end of the bed frame to the side rails with the remaining screws.



Step 3: Slot the centre rail into the "U" cut-outs located at both ends of the frame.



Step 4: Place slats into position.