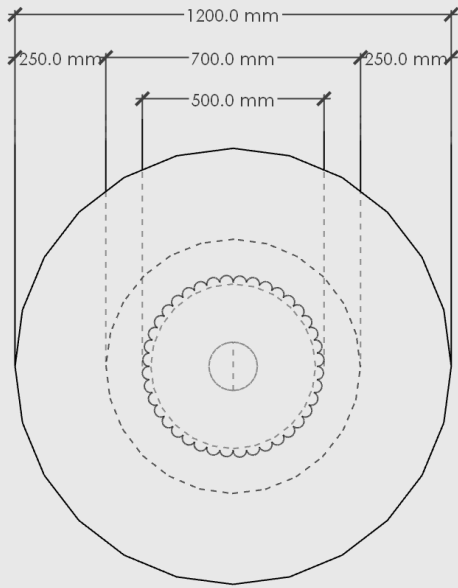
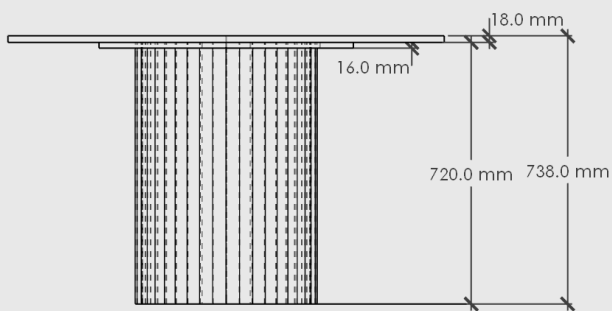


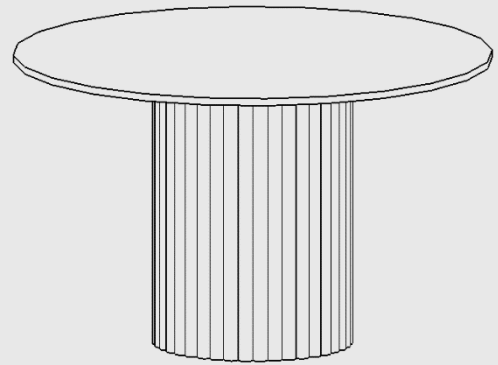
## BLOOM ROUND DINING TABLE



PLAN VIEW



ELEVATION



3D VIEW

Bloom Round Dining Table

Dimensions: 1200mm Diameter x 738mm High

Top Material: Chosen Timber Veneer on 18mm Birch Plywood. Stained Oiled Edges to match.

Leg: Solid Timber Dowel Legs

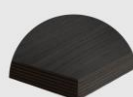
Top & Leg Options:



Oak



Walnut



Black Oak

Weight: ~50kg

Proudly designed and made in NZ. Product comes assembled.