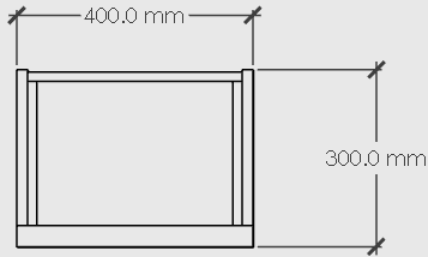
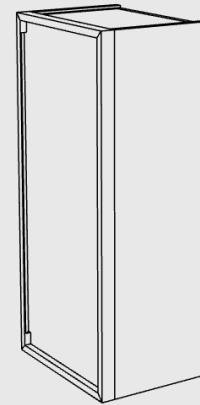


BELLE VANITY – TOWER 1 DOOR

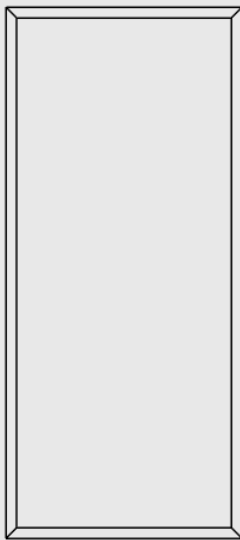
MOOD



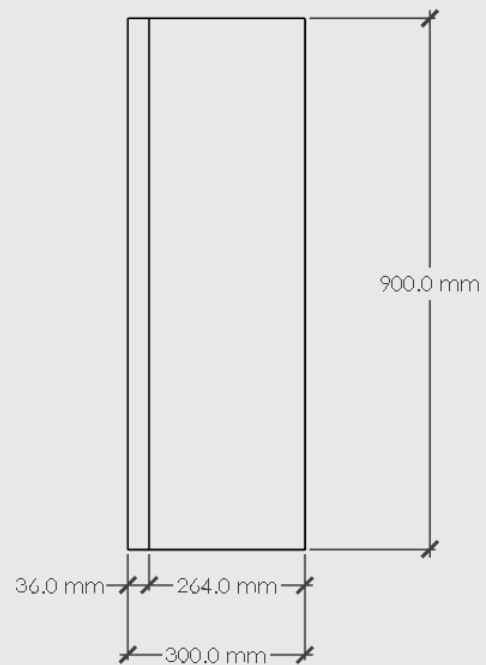
PLAN VIEW



3D VIEW



ELEVATION - FRONT



ELEVATION - SIDE

Belle Vanity – Tower 1 Door (<) or (>)

Dimensions: 400mm Long x 300mm Deep x 900mm High

Shell: Solid Oak with 2 Pot Clear Lacquer.

Front: American Crown Cut Oak Veneer on Birch Plywood with 2 pot clear lacquer and Solid Oak Border

Top: 16mm SupaBlack Carcass Grade Plywood with 1mm Black Edging

Carcass: 16mm SupaBlack Carcass Grade Plywood with 1mm Black Edging

Hardware: Blum Legrabox Black Soft Close Runners

Handle: Belle Fingerpull Detail within Border

Leg: No Leg, Wall Mounted

Hinge Side: Left (<) or Right (>)

Back: Carcass Grade Plywood with visible screws. We recommend securing the unit to a structural wall.

Vanity Package Dimensions/Weight: 920mm Long x 520mm Deep x 420mm High. Estimated 30kg

Proudly designed and made in NZ.

Includes 2 x Adjustable Shelf.