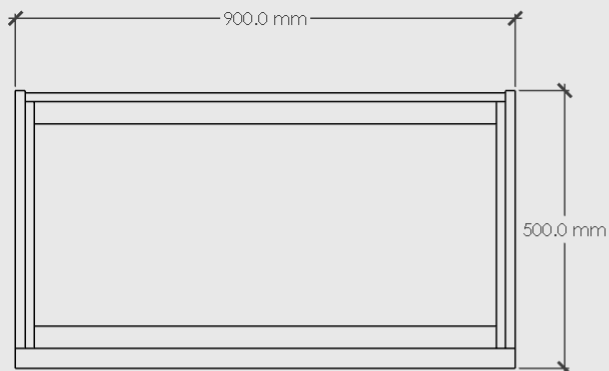
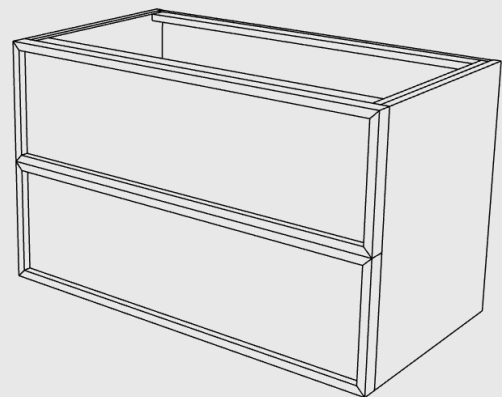


BELLE VANITY – 2 DRAWER STACKED

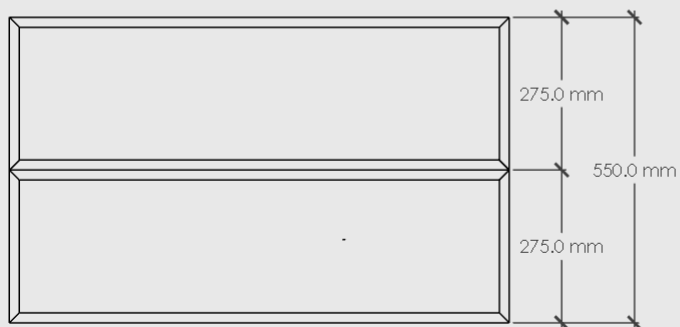
MOOD



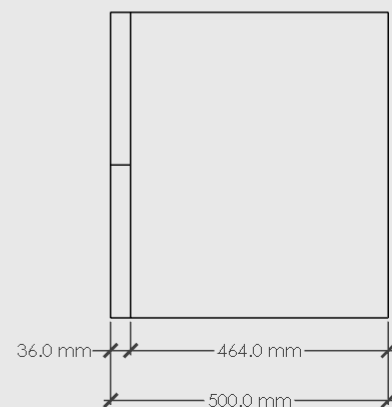
PLAN VIEW



3D VIEW



ELEVATION - FRONT



ELEVATION - SIDE

Belle Vanity – 2 Drawer Stacked

Dimensions: 900mm Long x 500mm Deep x 550mm High

Shell: Solid Oak with 2 Pot Clear Lacquer.

Front: American Crown Cut Oak Veneer on Birch Plywood with 2 pot clear lacquer and Solid Oak Border

Top: Excludes Top.

Carcass: 16mm SupaBlack Carcass Grade Plywood with 1mm Black Edging

Hardware: Blum Legrabox Black Soft Close Runners

Handle: Belle Fingerpull Detail within Border

Leg: No Leg, Wall Mounted

Back: Carcass Grade Plywood with visible screws. We recommend securing the unit to a structural wall.

Vanity Package Dimensions/Weight: 920mm Long x 520mm Deep x 570mm High. Estimated 40kg

Proudly designed and made in NZ.

This vanity excludes a top. We recommend our Corian Tops with a 5mm overhang on the front and sides.