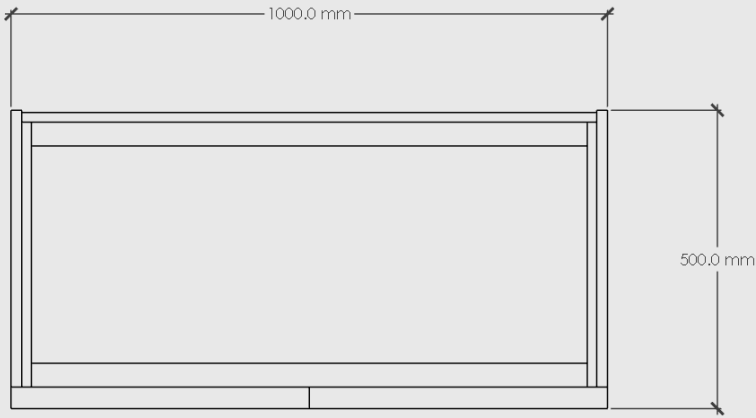
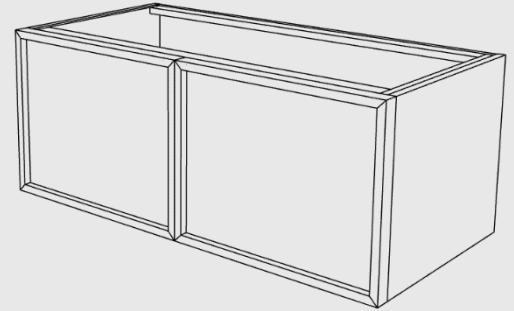


BELLE VANITY – 2 DOOR SIDE

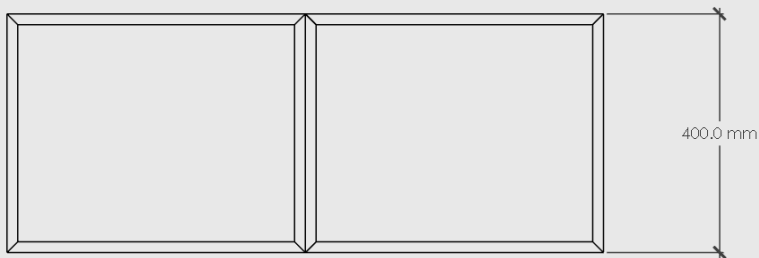
MOOD



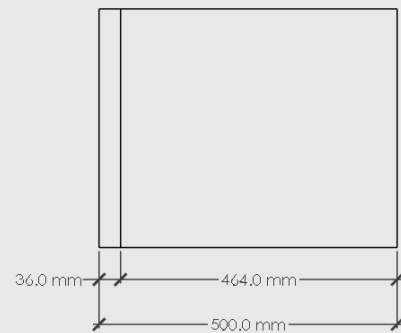
PLAN VIEW



3D VIEW



ELEVATION - FRONT



ELEVATION - SIDE

Belle Vanity – 2 Door Side (< >)

Dimensions: 1000mm Long x 500mm Deep x 400mm High

Shell: Solid Oak with 2 Pot Clear Lacquer.

Front: American Crown Cut Oak Veneer on Birch Plywood with 2 pot clear lacquer and Solid Oak Border

Top: Excludes Top.

Carcass: 16mm SupaBlack Carcass Grade Plywood with 1mm Black Edging

Hardware: Blum Onyx Black Hinges

Handle: Belle Fingerpull Detail within Border

Leg: No Leg, Wall Mounted

Back: Carcass Grade Plywood with visible screws. We recommend securing the unit to a structural wall.

Vanity Package Dimensions/Weight: 1020mm Long x 520mm Deep x 420mm High. Estimated 30kg

Proudly designed and made in NZ.

This vanity excludes a top. We recommend our Corian Tops with a 5mm overhang on the front and sides.