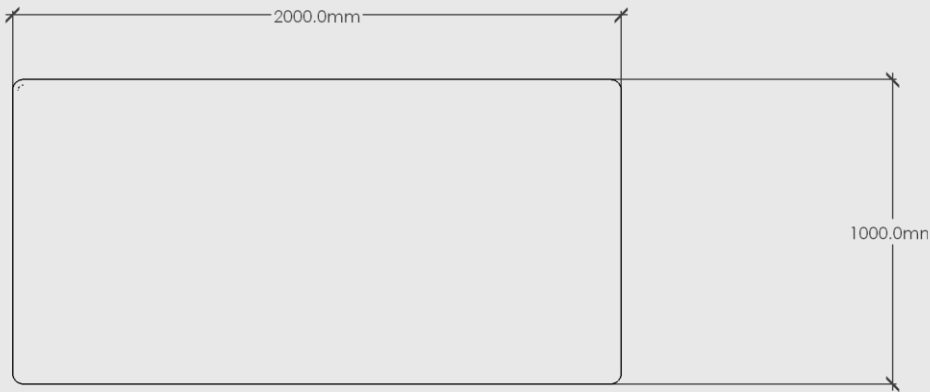
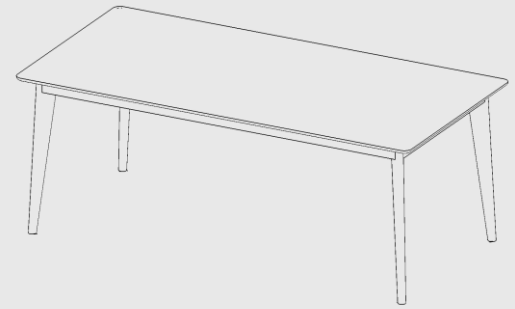


ARCHIE DINING TABLE – 2000 x 1000

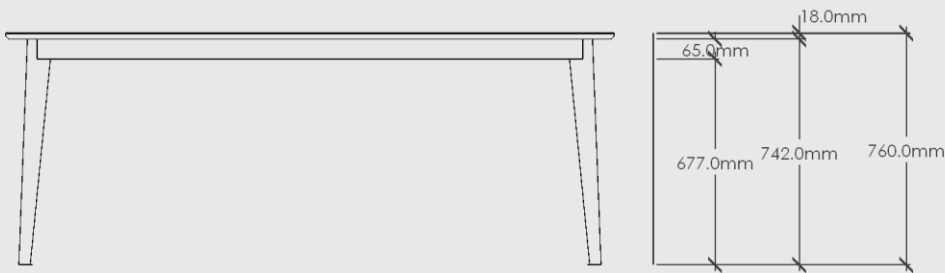
MOOD



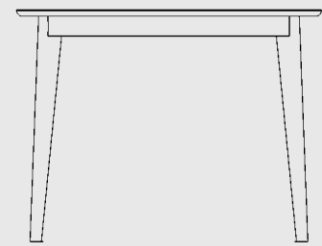
PLAN VIEW



3D VIEW



ELEVATION - FRONT



ELEVATION - SIDE

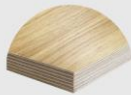
Archie Dining Table – 2000 x 1000

Dimensions: 2000mm Long x 1000mm Wide x ~760mm High

Material: Chosen Timber Veneer on 18mm Birch Plywood. Stained Oiled Edges to match.

Leg: Solid Timber Leg in chosen Timber colour

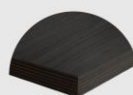
Colour Options:



Oak



Walnut



Black Oak

Package Dimensions/Weight: 2010mm Long x 770mm High x 1010mm Deep. Estimated 25kg.

Proudly designed and made in NZ.