



model 3670-01

Dog Bowl, ODBF

FEATURES & BENEFITS

DRAIN CLEAN-OUT

Top-down access to the drain allows the fountain portion to be cleaned without taking the unit apart, good for outdoor settings with drain-clogging sediment such as leaves, garbage, and other debris.

PET ACCESS

Unique design allows for canine access so pet and owner can quench their thirst in one place.

BUBBLER HEAD

Polished chrome-plated brass bubbler head with integral basin shank for added strength. Shielded, angled stream opening provides a steady, sanitary source of drinking water at .45 gpm.

DRINKING FOUNTAIN VALVE

The push-button activated valve offers the only all stainless steel valve body that is machined out of solid bar stock, is fully serviceable through the front of the push button assembly offering access to the water control cartridge and integral water supply strainer, and with front access to the water stream height adjustment for easy maintenance without having to remove the valve. Operating pressure range of 30 to 90 psi (2.1 to 6.2 bar).



OPTIONS

For more information, visit www.hawso.com or call (888) 640-4297.

SPECIFICATIONS

Model 3670-01 heavy-duty dog bowl shall include a patented push-button stainless steel valve assembly allowing for front access stream adjustment as well as cartridge and strainer access, heavy-duty 3/16" fabricated steel with galvanized silver powder-coated finish, polished chrome-plated brass vandal-resistant shielded bubbler head, 100% lead-free waterways, polished chrome-plated vandal-resistant waste strainer with top-down clean-out access, and vandal-resistant access plate. Designed to be used with the Haws 3600 series modular outdoor pedestals.

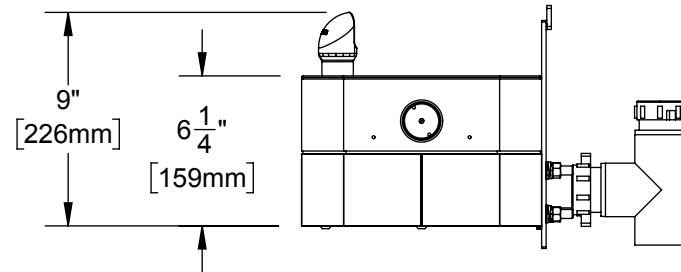
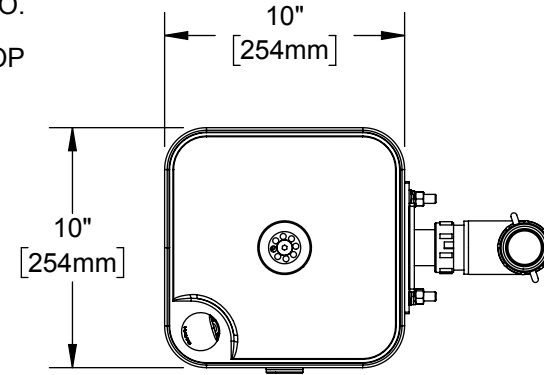
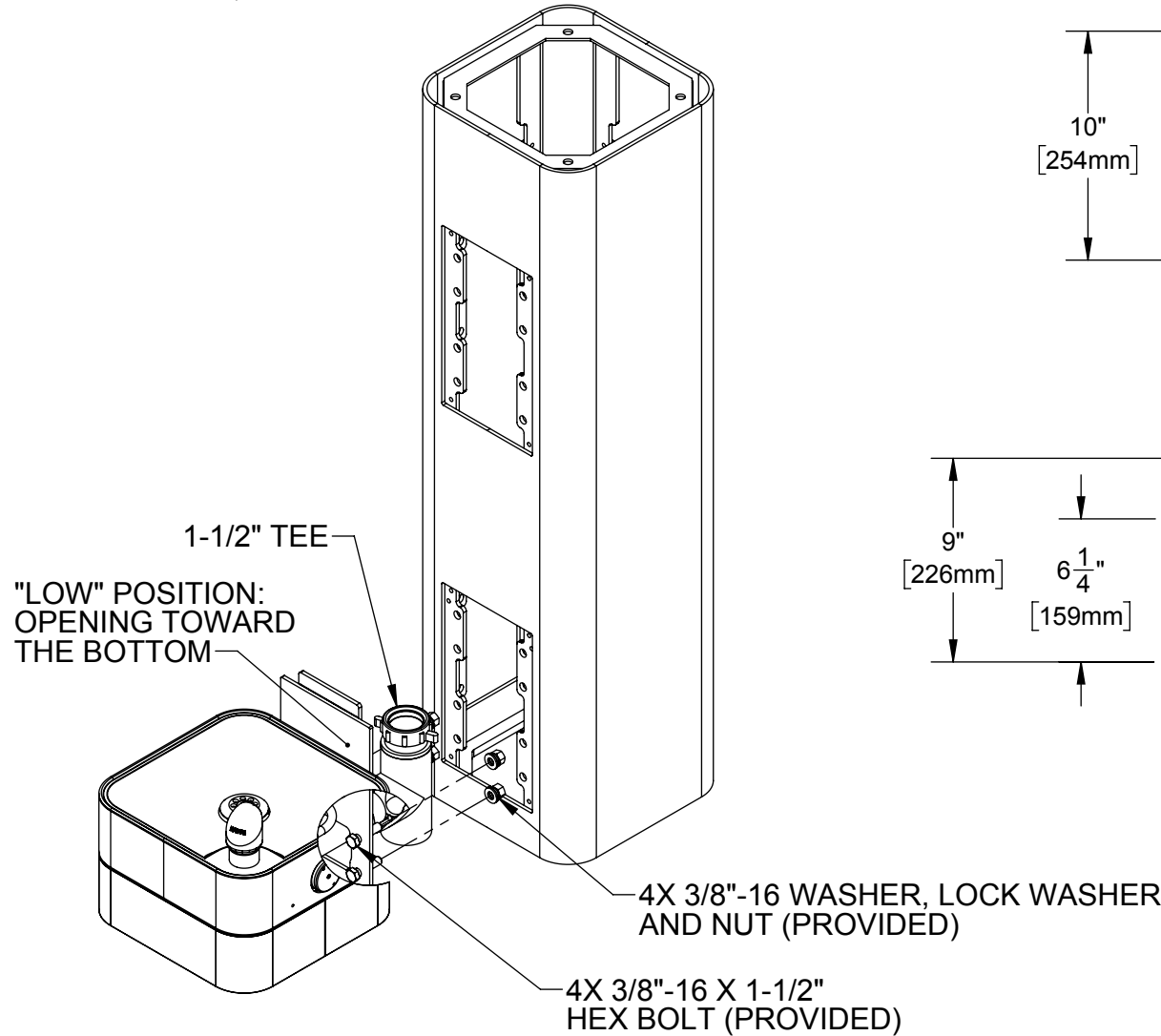
APPLICATIONS

The 3670-01 offers a solution the changing needs of the outdoor setting. When added to a 3600 series pedestal, this is a nice addition to areas such as parks and recreation areas where pet drinking facilities are needed. Certified by CSA to NSF/ANSI 61, section 9 and NSF/ANSI 372; and was evaluated to be compliant to US and Canada Plumbing Codes including Uniform Plumbing Code (UPC), International Plumbing Code (IPC) and National Plumbing Code of Canada (NPC) by CSA. Complies with Prop 65.



NOTES

1. WHEN INSTALLING THIS UNIT, LOCAL, STATE, OR FEDERAL CODES SHOULD BE ADHERED TO. FOR INSTALLATION HEIGHTS OTHER THAN SHOWN, DIMENSIONS MARKED (*) MUST BE ADJUSTED ACCORDINGLY. INSTALL A TRAP IN THE WASTE LINE AND A SCREWDRIVER STOP IN THE SUPPLY LINE IF REQUIRED.



NOTE: STANDARD CONFIGURATION FOR MODEL 3670 ON A PEDESTAL IS SHOWN. IT IS RECOMMENDED THAT THE ASSEMBLY IS PLACED AT THE LOWEST OPENING ON THE PEDESTAL. THE MOUNTING PLATE CAN BE ROTATED SO THE DOG BOWL CAN BE IN A "HIGH" OR "LOW" POSITION. IT IS RECOMMENDED TO USE THE "LOW" POSITION AS SHOWN.

			1455 KLEPPE LANE SPARKS, NEVADA 89431 (775) 359-4712 FAX (775) 359-7424 E-MAIL: HAWS@HAWS.CO.COM WEBSITE: WWW.HAWS.CO.COM			
			ECN: 5226 DRAWN: MH APPROVED: IR	REV. ECN: 5399 DATE: 05/16/17 DATE: 02/19/19	BY: MJ CHKD: MH	MODEL(S) 3670-XX - DOG BOWL ASSY, ODBF
SCALE: 1:8			DRAWING TYPE: INSTALLATION		SIZE: A	SHEET 1 OF 1