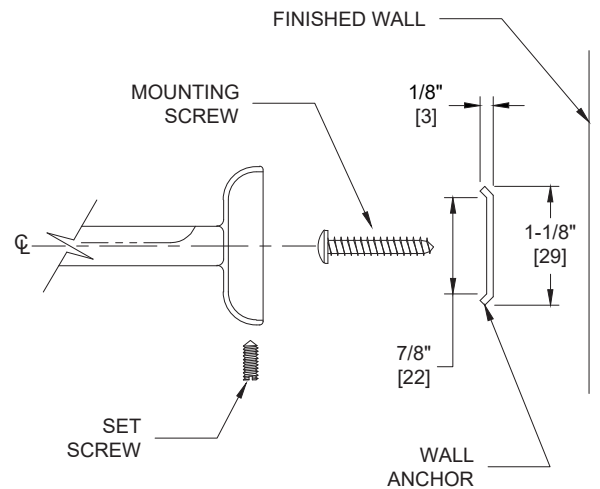
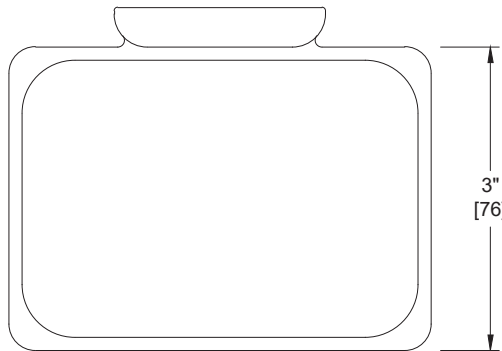
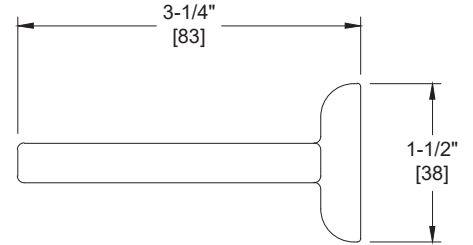
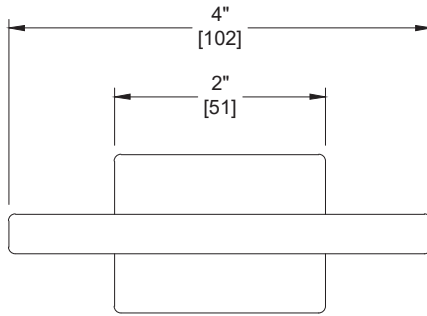


Soap Dish – Surface Mounted, Chrome Plated Zamak

Specialty Accessories

MasterFormat Section 10 28 13



Scan for Information



SUSTAINABILITY/LEED

NOTE:
ALL DIM'S INCH [MM]
ILLUSTRATION FOR REF ONLY AND NTS

PRODUCT OVERVIEW

Fabricated from triple chrome plated rust-resistant Zamak. Similar to product 0720-Z but does not include holes for drain. One stainless steel slotted headless set screw is provided along perimeter of flange for anchoring to stainless steel wall bracket. Wall anchor also provided. Wall bracket is surface mounted using two # 8 pan head screws (supplied) through holes provided. Soap dish is mounted over top leg of bracket and secured by set screw from underside.

KEY FEATURES & SPECIFICATIONS

- Chrome Plated Zamak
- Surface Mounted

OPERATION & MAINTENANCE

Washroom accessory products require regular surface cleaning, much the same as stainless steel sinks, pots and pans, and eating utensils. As long as a regular cleaning schedule is followed, the best method is cleaning with a soft clean rag moistened with a mild detergent, followed by a water-moistened clean rag and then a dry rag.

TECHNICAL INFORMATION / PRODUCT PROPERTIES

Property	Value
Dimensions	4" [102] W x 1-1/2" [38] H x 3-1/4" [83] D
Construction	Chrome Plated Zamac
Mounting	Surface Mounted
Capacity	

INSTALLATION

Wall bracket is surface mounted using two # 8 pan head screws (supplied) through holes provided. Soap dish is mounted over top leg of bracket and secured by set screw from underside. Suggested location is 48" [1219] maximum Above Finished Floor to centerline of wall bracket or 6" [152] above wash basin.

ADDITIONAL INFORMATION

N/A

WARRANTY

One (1) Year from date of Invoice