

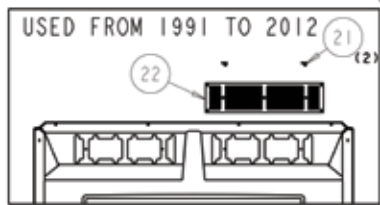
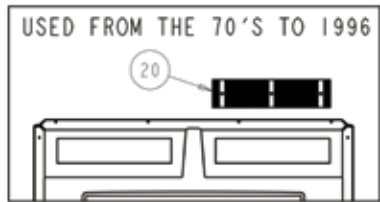
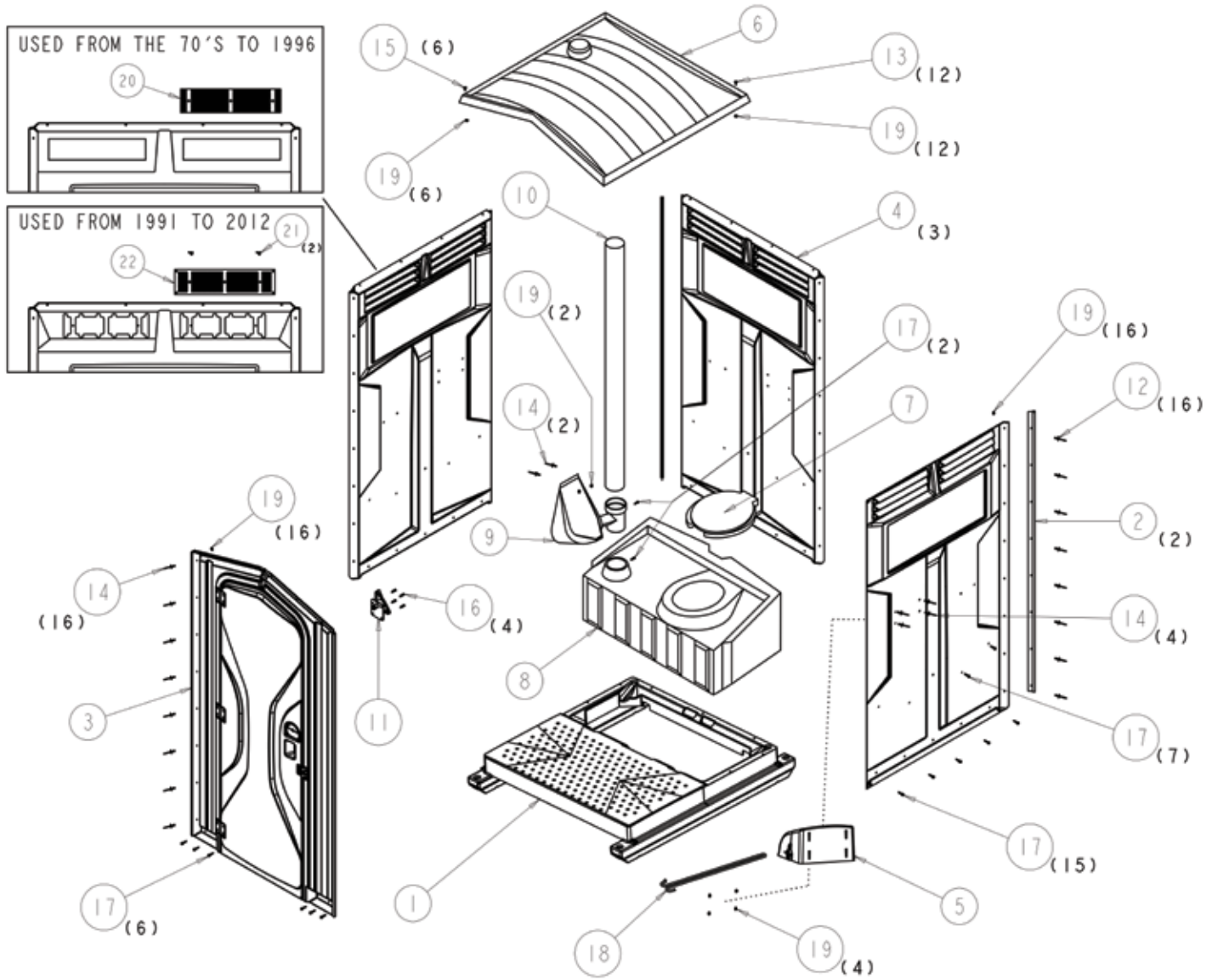


# PARTS CATALOG

VOL. 3.1 MARCH, 2023

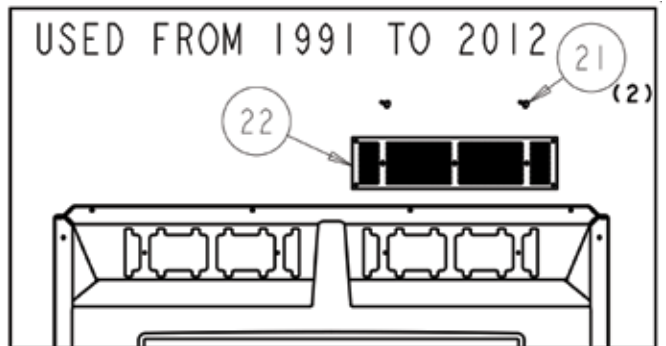
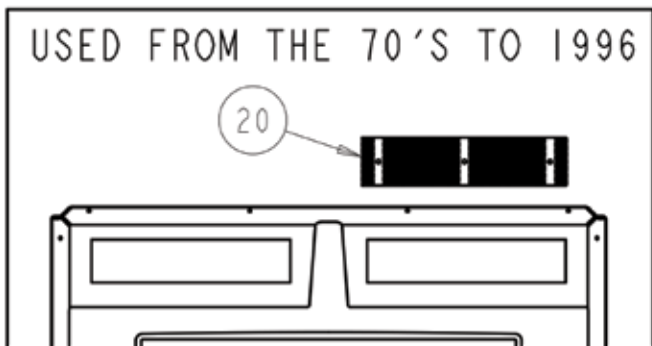


# TUFWAY | MAJOR ASSEMBLY



TUFWAY | VENT SCREEN 70'S TO 1996

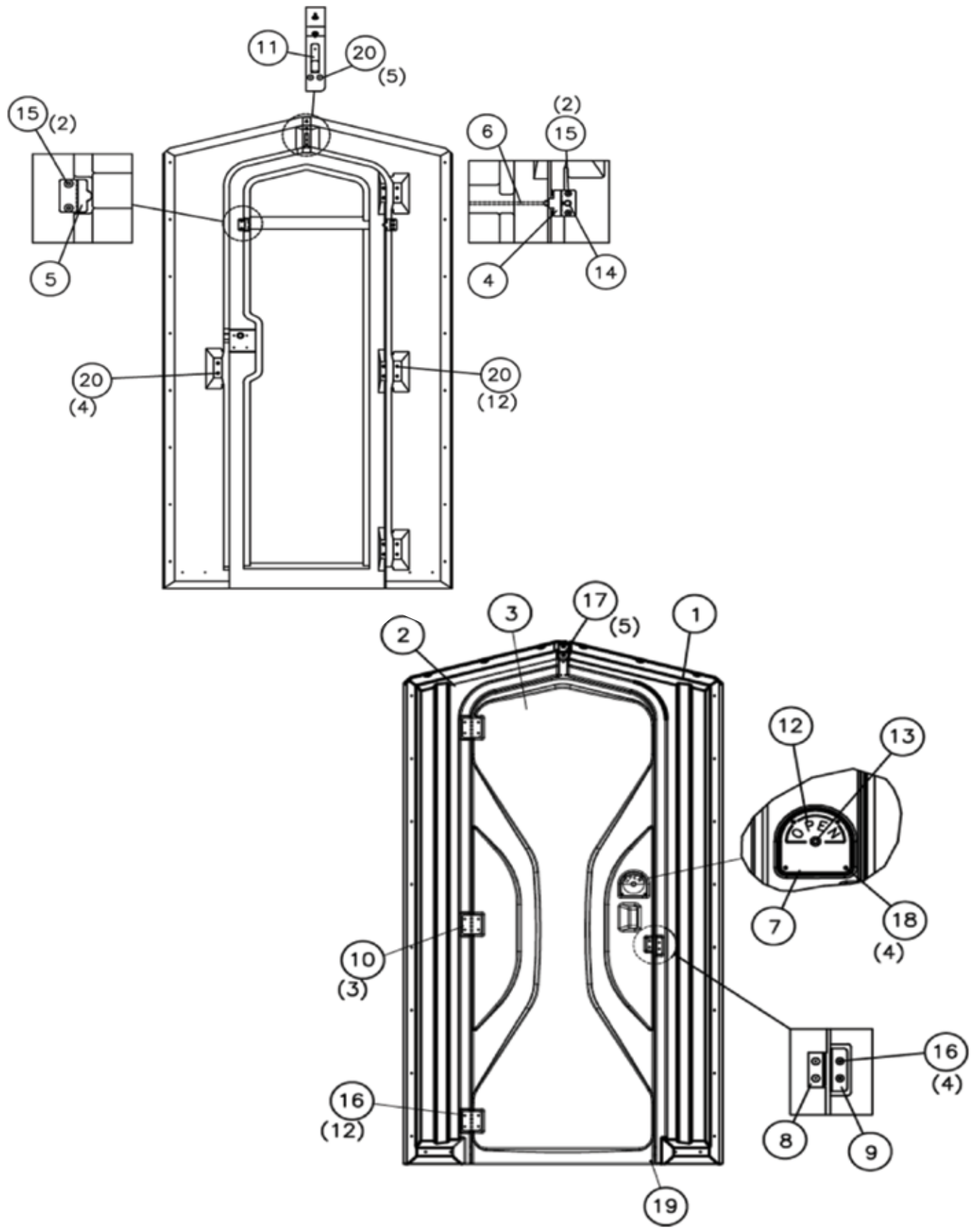
TUFWAY | VENT SCREEN 1991 TO 2012



## TUFWAY | MAJOR ASSEMBLY PARTS

| ITEM # | PART #    | QPU | DESCRIPTION                    | COMMENTS                        |
|--------|-----------|-----|--------------------------------|---------------------------------|
| 1      | 10034     | 1   | BASE ASSY- IMPACT SOLID FLOOR  |                                 |
|        | 10033     | 1   | BASE ASSY- IMPACT GRID FLOOR   |                                 |
|        | 10032     |     | COVER- FLOOR IMPACT BASE       | 8 #22727 & 8 #11360             |
| 2      | 16050     | 2   | CORNER MOLDING II- BLACK PUNCH |                                 |
| 3      | SEE CHART | 1   | FRONT ASSY- TUFWAY             |                                 |
| 4      | SEE CHART | 3   | PANEL- TUFWAY                  |                                 |
|        | 22748     |     | HDWE- TUFWAY 3 ROLL POP RIVET  |                                 |
| 5      | 22209     | 1   | HOOD- PAPERGRD 3 ROLL DGRY     |                                 |
|        | 17082     |     | HOOD- PAPERGUARD 2 ROLL        |                                 |
| 6      | 16045     | 1   | ROOF- TUFWAY DOME              |                                 |
| 7      | 10570     | 1   | SEAT- TOILET TUF/FRE/LIB BLACK | INCLUDES HARDWARE - 10 PER CASE |
|        | 19196     |     | KIT- T/SEAT 2-1/2 BOLT/NUT SET |                                 |
| 8      | 10553     | 1   | TANK- TUFWAY DGRY              |                                 |
| 9      | 14119     | 1   | URINAL- STANDOVER DGRY         |                                 |
| 10     | 14133     | 1   | VENT PIPE- 4 X 63 DGRY         | WITH URINAL                     |
|        | 11946     | 1   | VENT PIPE- 4 X 68 DGRY         | WITHOUT URINAL                  |
| 11     | 14767     | 1   | LATCH- RESTROOM PLASTIC        |                                 |
| 12     | 11030     | 16  | RIVET- #66 AAL POP             |                                 |
|        | 10629     | 32  | RIVET- SOLID SHORT (FLAT)      | PUSH CAP RIVETS                 |
| 13     | 22737     | 12  | RIVET- #66 POP W/RUBBER WASHER |                                 |
|        | 18721     | 12  | RIVET- SOLID SHORT FLAT W/WSHR | PUSH CAP RIVETS                 |
| 14     | 11054     | 22  | RIVET- #68 AAL POP             |                                 |
|        | 10801     | 6   | RIVET- SOLID LONG (DOME)       | PUSH CAP RIVETS                 |
| 15     | 22738     | 6   | RIVET- #68 POP W/RUBBER WASHER |                                 |
|        | 18722     | 6   | RIVET- SOLID LONG DOME W/WSHR  | PUSH CAP RIVETS                 |
| 16     | 10122     | 4   | SCREW- #10 X 3/4 PHPN TAP PLTD |                                 |
| 17     | 13860     | 30  | SCREW- #14 X 1- 1/2 W/WSH GOLD |                                 |
| 18     | 22310     | 1   | SPINDLE- PRGRD II 3 ROLL METAL |                                 |
|        | 16844     | 1   | SPINDLE- PAPERGUARD 2 ROLL MTL |                                 |
|        | 18696     | 1   | SPINDLE- PG 3 ROLL PVC 16 INCH |                                 |
| 19     | 11315     | 56  | WASHER- 3/16 RIVET STNLS       |                                 |
|        | 10047     | 56  | PUSH CAP- 3/16 ID              | PUSH CAP RIVETS                 |
| 20     | 14311     | 6   | SCREEN- 3 X 13 PLSTC VENT      | OLDER PANELS                    |
| 21     | 15337     | 12  | RIVET- .195IN PLASTIC EXPANDNG |                                 |
| 22     | 14112     | 6   | SCREEN- 3.8 X 15.25 PLSTC VENT |                                 |
|        | 18191     | 1   | NUT- 5/16 SERRATED FLANGE      | ROTO BASE ONLY                  |
|        | 13173     | 1   | BOLT- 5/16 X 3- 1/2 HWHD       | ROTO BASE ONLY                  |
|        | 22384     | 6   | BOLT- 1/4-20X1-1/4 DOG PNT WSH | BLOW MOLD BASE ONLY             |
|        | 10900     |     | INSTRUCTION- TUFWAY            | SEE WEBSITE                     |

# TUFWAY | FRONT ASSEMBLY



## TUFWAY | FRONT ASSEMBLY PARTS

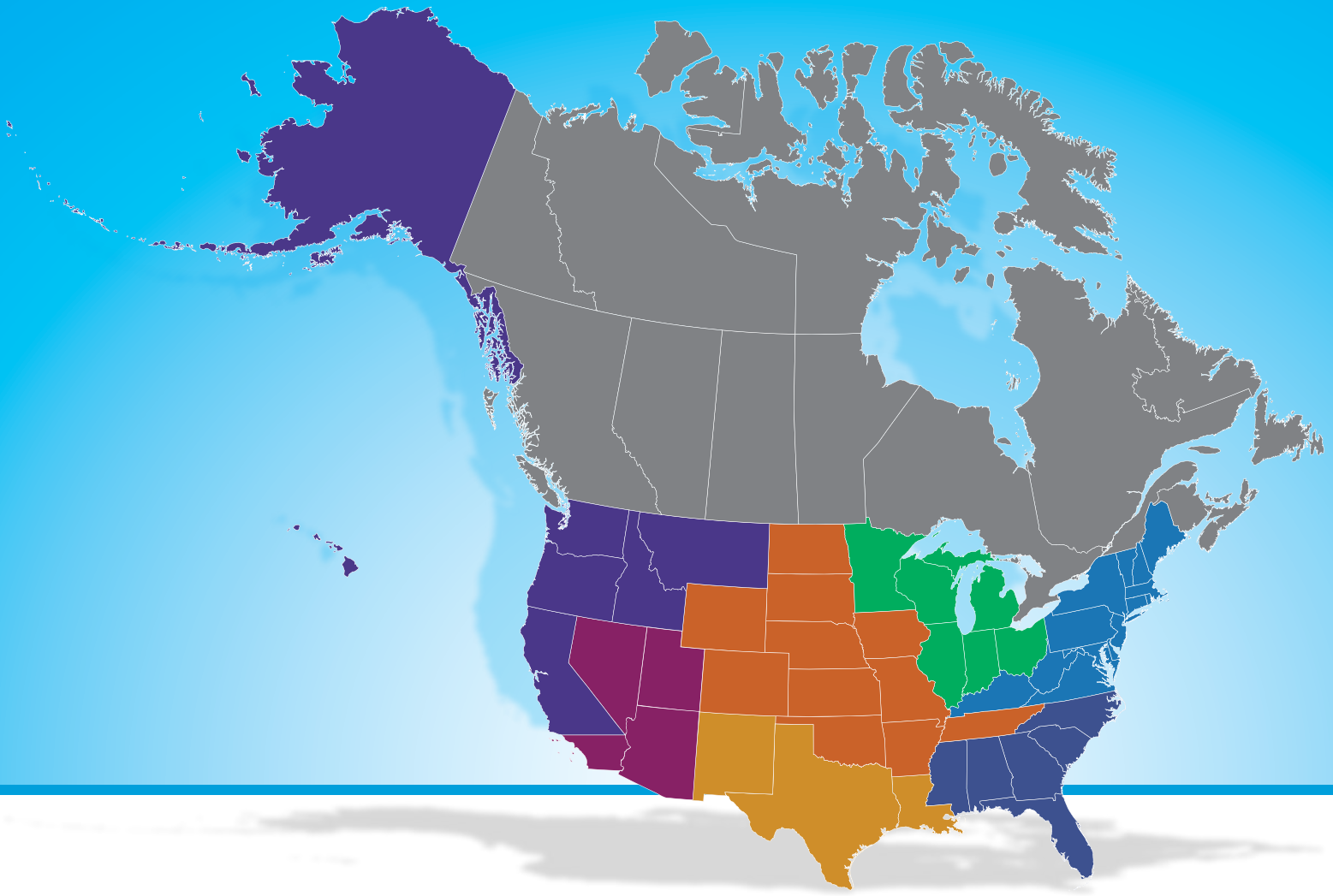
| ITEM # | PART #    | QPU | DESCRIPTION                    | COMMENTS                |
|--------|-----------|-----|--------------------------------|-------------------------|
| 1      |           | 1   | FACING- TUFWAY HASP            |                         |
| 2      |           | 1   | FACING- TUFWAY HINGE           |                         |
| 3      |           | 1   | DOOR- TUFWAY                   |                         |
|        | SEE CHART |     | FRONT ASSY- TUFWAY             |                         |
| 4      | 10889     | 1   | BRACKET- CABLE ANCHOR TUFWAY   | HINGE SIDE              |
| 5      | 10511     | 1   | BRACKET- SPRING ANCHOR TUFWAY  | DOOR                    |
| 6      | 10888     | 1   | CLOSURE ASSY- TUFWAY DOOR      |                         |
|        | 11954     |     | KIT- TUFWAY SPRING CLOSURE RPL | INCLUDE SPRING & RIVETS |
| 7      | 13415     | 1   | COVER- INDICATOR BLACK         |                         |
| 8      | 13197     | 1   | HASP- 3/16 RIVET HOLE DOOR     |                         |
| 9      | 13199     | 1   | HASP- 3/16 RIVET HOLE FACING   | LONG                    |
| 10     | 13266     | 3   | HINGE- DOOR STNLS ROUND CORNER |                         |
| 11     | 10891     | 1   | HOOK- FLAT COAT STNLS          |                         |
| 12     | 15630     | 1   | INDICATOR- UNIVERSAL DGRY      |                         |
| 13     | 10161     | 1   | PLUG- 1/2 INDICATOR BLACK PLST |                         |
| 14     | 14803     | 1   | PLUG- 3/8 HOLE                 |                         |
| 15     | 12393     | 4   | RIVET- #64 AAP POP             |                         |
| 16     | 11270     | 16  | RIVET- #68 STNLS               |                         |
| 17     | 10812     | 5   | RIVET- #612 ALUM               |                         |
| 18     | 10804     | 4   | SCREW- #8 X 3/4 PHPN TAP       |                         |
| 19     | 12007     | 1   | SCREW- #10 X 1- 1/4 PN PH TAP  |                         |
| 20     | 11315     | 21  | WASHER- 3/16 RIVET STNLS       |                         |

### TUFWAY | COMPLETE FRONT ASSEMBLY

| PART # | DESCRIPTION                |
|--------|----------------------------|
| 10521  | FRONT ASSY- TUFWAY BRWN    |
| 12728  | FRONT ASSY- TUFWAY SAND    |
| 13816  | FRONT ASSY- TUFWAY AQUA    |
| 13936  | FRONT ASSY- TUFWAY RBLU    |
| 14129  | FRONT ASSY- TUFWAY ORNG    |
| 14195  | FRONT ASSY- TUFWAY FRST    |
| 15765  | FRONT ASSY- TUFWAY DGRY    |
| 16546  | FRONT ASSY- TUFWAY YELL    |
| 19375  | FRONT ASSY- TUFWAY RED     |
| 21107  | FRONT ASSY- TUFWAY PINK    |
| 22694  | FRONT ASSY- TUFWAY Pp DBLU |
| 23478  | FRONT ASSY- TUFWAY LGRY    |
| 24138  | FRONT ASSY- TUFWAY PRPL    |

### TUFWAY | PANEL

| PART # | DESCRIPTION           |
|--------|-----------------------|
| 12613  | PANEL- TUFWAY AQUA    |
| 12614  | PANEL- TUFWAY SAND    |
| 13598  | PANEL- TUFWAY LGRY    |
| 13938  | PANEL- TUFWAY RBLU    |
| 14702  | PANEL- TUFWAY ORNG    |
| 14794  | PANEL- TUFWAY FRST    |
| 16542  | PANEL- TUFWAY YELL    |
| 16643  | PANEL- TUFWAY DGRY    |
| 19266  | PANEL- TUFWAY RED     |
| 22693  | PANEL- TUFWAY Pp DBLU |
| 23137  | PANEL- TUFWAY PINK    |
| 24118  | PANEL- TUFWAY PRPL    |
| 24339  | PANEL- TUFWAY YLGR    |
| 12611  | PANEL- TUFWAY GREEN   |



### NORTHWEST

**John Sprenger**  
763-519-6544  
johns@satelliteindustries.com



### GREAT LAKES

**Paul Jongert**  
763-519-6546  
paulj@satelliteindustries.com



### SOUTHEAST

**Lance Branan**  
763-519-6541  
lanceb@satelliteindustries.com



### SOUTHWEST

**Tim White**  
763-519-6543  
timw@satelliteindustries.com



### SOUTH CENTRAL

**Ryan Foley**  
763-519-6526  
ryanf@satelliteindustries.com



### CANADA

**Jerry Graves**  
763-519-6524  
jerryg@satelliteindustries.com



### MIDWEST

**Jeff Sprenger**  
763-519-6527  
jsprenger@satelliteindustries.com



### NORTHEAST

**Joshua Carmichael**  
574-350-2162  
joshuac@satelliteindustries.com



### INTERNATIONAL

**Michael Pederson**  
763-551-7237  
mikep@satelliteindustries.com

