



# Elvari™ Manual Surface-Mounted Soap Dispenser

## Key Features

- High quality and modern style complements other [Elvari™ products](#)
- Advanced weld construction
- Concealed BradLock™ magnetic locking system
- Red, low-level indicator
- Non-proprietary liquid soap/gel sanitizer or foam soap

## Operation

Manually-activated mechanism dispenses measured amount of vegetable or coconut oil soaps, synthetic detergents, gel sanitizer, or foam soap. Red, low-level indicator provides notice that refill is needed. BradLock system and magnetic key provide security, a seamless design, and easy access for service. Magnetic lock location is hidden from view behind the Bradley logo.

## Capacity

40 oz. (1183 mL) liquid soap/gel sanitizer or bulk foam soap

## Guide Specification

Surface-mounted soap dispenser shall be fabricated of 20-gauge, 300 series stainless steel in a brushed #3 satin finish. Dispenser shall have completely concealed mounting and low-level indicator. Capacity is 40-oz liquid soap/gel sanitizer or bulk foam soap. Mounting hardware is not included.

### Overall Dimensions (includes optional drip tray):

18-1/16" H x 6-7/8" W x 3-15/16" D (459mm x 175mm x 100mm)

**MasterFormat Title:** Commercial Toilet Accessories

**MasterFormat Number:** 10 28 13.13

**OmniClass Title:** Toilet and Bath Specialties

**OmniClass Code:** 23.31.25.00

- Bradley liquid soap valves operate best with an vegetable oil or coconut oil hand soap having a 10–15% soap concentration.
- Bradley foam soap valves work with majority of bulk foam soap.

## Product Compliance

### Complies with

- The Americans with Disabilities Act (ADA)
- ANSI/ICC A117.1 - Accessible and Usable Buildings & Facilities



- Consult local and national accessibility codes for proper installation guidelines. Conformity and compliance with local and national codes is the responsibility of the installer.

For information on Warranties, Maintenance and BAA/ARRA Compliance, visit our website at: [bradleycorp.com/washroom-accessories-products](http://bradleycorp.com/washroom-accessories-products)

Verify all rough-in dimensions prior to installation.



## Finishes

Click on any color swatch to view as a larger image.

 Satin Stainless

## Soap Dispenser Models

Standard Model Number	Soap Type	Drip Tray
6B1-1100730	Foam	No
6B1-110073T	Foam	Yes
6B1-1100000	Liquid/Gel Sanitizer	No
6B1-110000T	Liquid/Gel Sanitizer	Yes

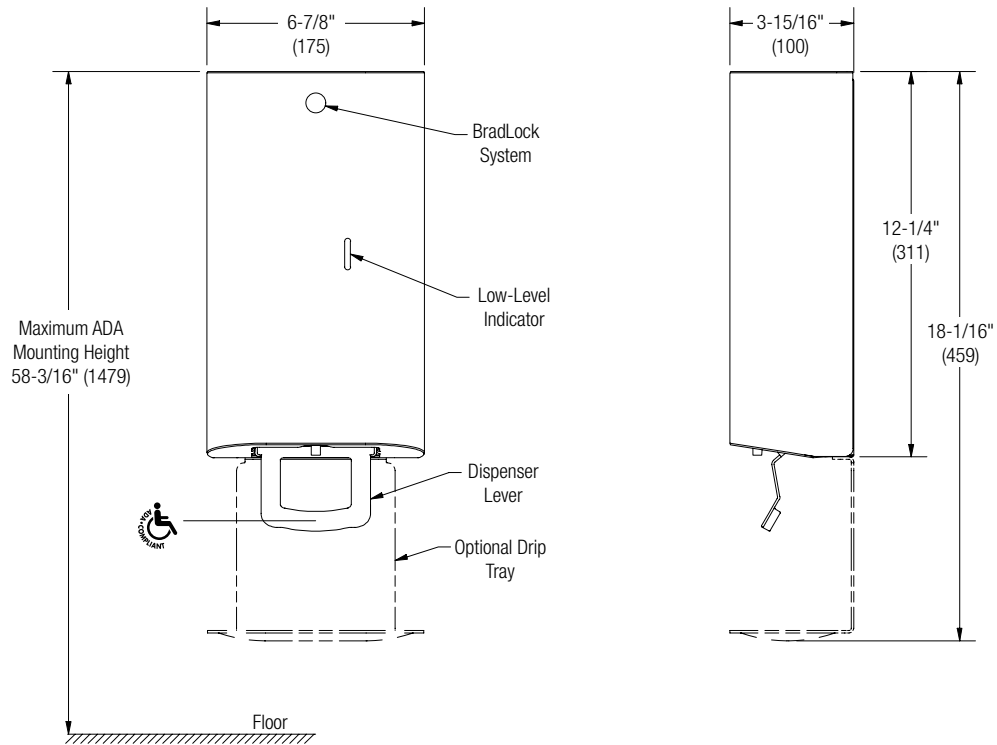
<b>Model</b> (Must select one)	
<b>6B1</b>	Elvari Soap Dispenser
<b>Standard Selections</b> (Must select one from each category)	
<b>Mounting Type</b> (select one)	
<b>11</b>	Surface Mounted
<b>Activation Type</b> (select one)	
<b>0</b>	Manual
<b>Soap Type</b> (select one)	
<b>0</b>	Liquid Soap/Gel Sanitizer
<b>73</b>	Foam
<b>Drip Tray</b> (select one)	
<b>0</b>	None
<b>T</b>	Standard Drip Tray



# 6B1-11 Elvari™ Manual Surface-Mounted Soap Dispenser

## Dimensions

(mm)



Verify all rough-in dimensions prior to installation.

Page 2 of 2

10/31/2023

[View Latest Version](#)

This information is subject to change without notice.

Bradley\_SoapDispenser\_6B1-11

© 2023 Bradley  
P.O. Box 309, Menomonee Falls, WI 53052-0309  
800 BRADLEY (800 272 3539) +1 262 251 6000  
bradleycorp.com