



Key Features

- High quality and modern style complements other [Elvari™ products](#)
- Advanced weld construction
- Concealed BradLock™ magnetic locking system
- Red, low-level indicator
- Non-proprietary liquid soap/gel sanitizer or foam soap

Operation

Manually-activated mechanism dispenses measured amount of vegetable or coconut oil soaps, synthetic detergents, gel sanitizer, or foam soap. Red, low-level indicator provides notice that refill is needed. BradLock system and magnetic key provide security, a seamless design, and easy access for service. Magnetic lock location is hidden from view behind the Bradley logo.

Capacity

40 oz. (1183 mL) liquid soap/gel sanitizer or bulk foam soap

Guide Specification

Recessed soap dispenser shall be fabricated of 20-gauge, 300 series stainless steel in a brushed #3 satin finish. Dispenser shall have completely concealed mounting, integral drip tray, and low-level indicator. Capacity is 40-oz liquid soap/gel sanitizer or bulk foam soap. Mounting hardware is not included.

Overall Dimensions:

18-9/16" H x 7" W x 4-1/4" D (472mm x 178mm x 108mm)

MasterFormat Title: Commercial Toilet Accessories

MasterFormat Number: 10 28 13.13

OmniClass Title: Toilet and Bath Specialties

OmniClass Code: 23.31.25.00

- Bradley liquid soap valves operate best with vegetable oil or coconut oil hand soap having a 10–15% soap concentration.
- Bradley foam soap valves work with majority of bulk foam soap.

Product Compliance

Complies with

- The Americans with Disabilities Act (ADA)
- ANSI/ICC A117.1 - Accessible and Usable Buildings & Facilities



- Consult local and national accessibility codes for proper installation guidelines. Conformity and compliance with local and national codes is the responsibility of the installer.

Verify all rough-in dimensions prior to installation.



Finishes

Click on any color swatch to view as a larger image.



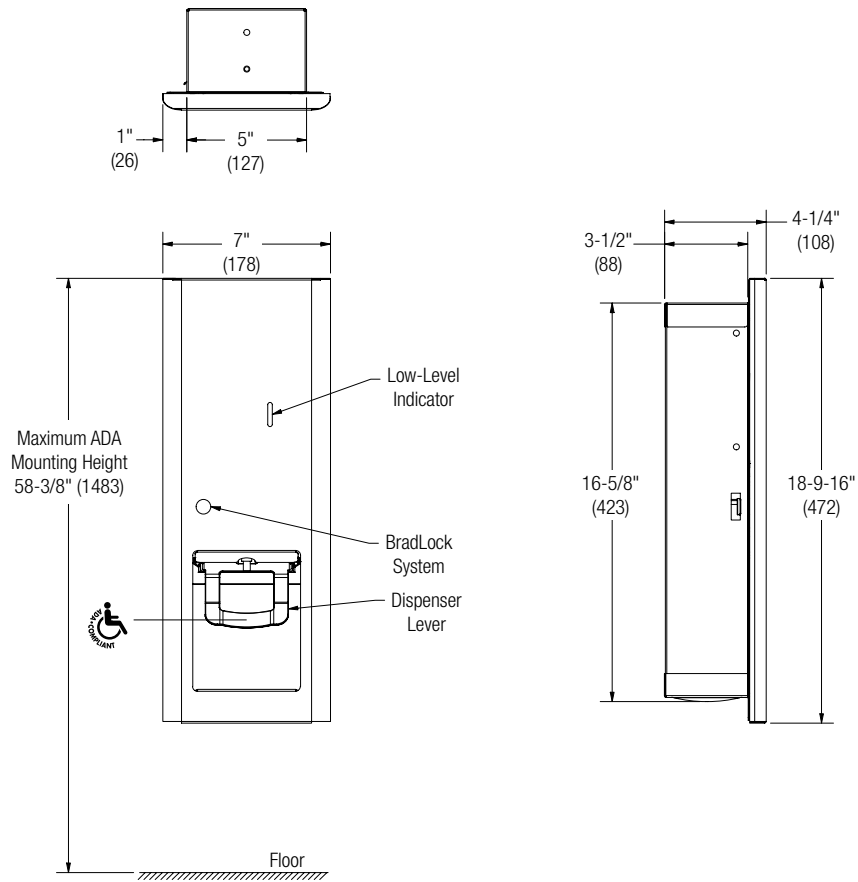
Model (Must select one)	
6B1	Elvari Soap Dispenser
Standard Selections (Must select one from each category)	
Mounting Type (select one)	
0	Recessed
Activation Type (select one)	
0	Manual
Soap Type (select one)	
0	Liquid Soap/Gel Sanitizer
73	Foam

For information on Warranties, Maintenance and BAA/ARRA Compliance, visit our website at: bradleycorp.com/washroom-accessories-products



Dimensions

(mm)



Verify all rough-in dimensions prior to installation.