



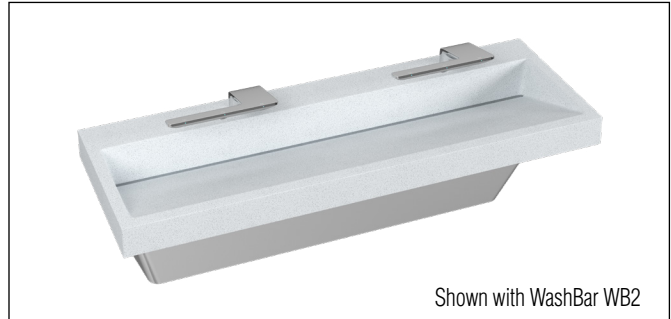
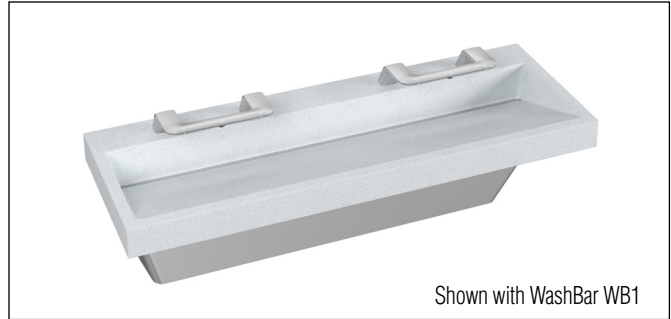
LVQD2 Verge® with WashBar™ Technology – LVQ-Series

Key Features

- One piece, chrome-plated WashBar™ includes touch-free soap, water, and hand dryer
- WashBar technology intuitively guides user and eliminates simultaneous activations
- Basins available in polished Evero® Classic or Evero Matte cast quartz materials
- Basin and drain engineered to evacuate water and dissipate air flow
- Single piece cast basin eliminates caulk lines and seams
- WashBar and basin system comes complete with mounting, access panel, drain assembly, and plumbing connections

Specifications

The Verge LVQD2 Wash Basin is 60" in length and is designed to accommodate one to two users at a time with standard lavatory spacing positioned on 30" centers. The single piece, all-in-one WashBar allows users to access soap, water, and a hand dryer without leaving the hand washing station. The unit handles washroom traffic quickly and economically, while providing each user with personal space. LVQD2 is available in Evero Classic - Geo Series or Pearl Series, or Evero Matte - Mason Series basin material.



Product Compliance

Listed by IAPMO R&T to

- Uniform Plumbing Code (UPC)
- National Plumbing Code of Canada
- International Plumbing Code (IPC)
- LVQD2 Evero Classic & Evero Matte: IGC 156 and the requirements of CSA B45.5/IAPMO Z124 and ASME A112.18.1/CSA B125.1
- LVQD2 Evero Matte: IGC 156 and the requirements of CSA B45.8/IAPMO Z403
- IGC 127 (WashBar)



Listed by UL Environment to

- GreenGuard Gold



Complies with

- ADA
- ICC/ANSI 117.1
- TAS
- NSF/ANSI 372



Finishes

Click on any color swatch to view as a larger image.

- Polished Chrome
- Brushed Black Stainless*
- Brushed Stainless*
- Brushed Bronze*
- Brushed Brass*
- Brushed Nickel*

*PVD Finishes, see PVD Finishes section.

* PVD Finishes

Physical Vapor Deposition is an intricate, environmentally friendly finishing process that molecularly bonds the finish to the faucet, creating a very hard, durable surface that will not corrode, discolor, or tarnish.

Listed by UL to

- UL499, CAN/CSA C22.2 No 36-08 (Hand Dryer)



Sustainability

- Evero Classic and Evero Matte participate in the mindful MATERIALS library



This plumbing fixture is designed for hand washing only. It is not intended to dispense water for human consumption through drinking or for preparation of food or beverages.

Compatible Bradley Products

[Verge Multi-Feed Soap System](#)

Serves the American Disabilities Act and ICC/ANSI 117.1 guidelines, citations 306, 308, 309.4, 606.4, 606.5 when installed according to these requirements. Consult local codes and standards.



Construction

Basin

The basin has been designed to direct water to a trench drain and features a 300 series stainless steel drain cap. The basin and drain cap work together to evacuate water and dissipate airflow to prevent splashing on the user or floor. The basin is constructed of either the natural quartz surface Evero Classic - Geo or Pearl Series, or the natural stone-like quartz surface Evero Matte - Mason Series.

Evero Classic - Geo Series is a polished natural quartz surface made from a blend of bio-based resin, natural quartz, granite, and other exotic minerals.

Evero Classic - Pearl Series is a polished natural quartz surface made of bio-based resin, sea shells, and natural quartz.

Evero Matte - Mason Series is a matte natural stone-like quartz surface made from a blend of bio-based resin and a unique mixture of extra fine grade quartz.



Variations in the natural stone color, pattern, size, shape, and shade are inherent. Due to these unique characteristics, please expect subtle shade variations when units are installed adjacent to each other.

WashBar

All-in-One, chrome-plated cast metal WashBar includes touch-free soap, water, and hand dryer. Available in optional in-stock PVD finishes. Load tested to 500 pounds, the WashBar is secured to the basin with two anti-rotational shanks. Blue LED lights help guide the user to the WashBar, indicating the three functions. The LED light will change from blue to green to signify that the function is in use. Each function is easily identified by the corresponding icon on the WashBar's top surface.

Sensors are programmed to eliminate simultaneous activations of nearby functions. Each sensor includes a turn-off delay of 1-2 seconds to aid in a smooth, controlled hand-washing and drying operation. WashBar sensors are not affected by varying skin tones or darkness. Smart technology allows the facilities manager or maintenance staff to clean and configure with ease.

Cleaning Mode

WashBar has an activation feature to put the unit into cleaning mode to allow for easy cleaning of the WashBar and basin without activating the functions.

Configuration Mode

The WashBar also has a configuration mode to identify how many cycles are on the soap, faucet, and dryer. This mode also allows for dryer speed adjustment at low, medium, and high levels.

Soap Dispensers

The soap dispenser is located on the left side of the WashBar. This eliminates any soap from dripping on counters or onto the floor, minimizing slip hazards and allows for easy cleaning. Choose between a foam or liquid soap dispenser and either below fill or top fill multi-feed system.

Below Fill System

Each WashBar soap system accommodates up to a 1 gallon (3.78 L) container (included) to reduce the number of soap replacements. When the LED light above the soap function turns to solid red, check the soap level and replace the soap container with a full container if necessary. The soap system includes an adapter to fit many 1 gallon (3.78 L) soap containers that are available on the market.

Top Fill Multi-Feed System

Top fill multi-feed soap system includes a 166.5 oz tank and top fill port located on the top surface of the lav. Elegant translucent ring integrated on the fill port gives a glowing indication of low battery, low soap, and overflow conditions. When the LED light on the fill port ring flashes red, simply remove the fill port cap and replenish the soap via the fill port. Quantity of one fill port on the LVQD2 will provide soap to two WashBars.

Please visit <https://www.bradleycorp.com/maintenance/soap-dispensers> for soap recommendations.

Faucet

Faucet is located in the center of the WashBar and has a spray angle of approximately 17 degrees off the vertical. Choose either a 0.5 gpm (1.9 Lpm) or 0.35 gpm (1.30 Lpm) PCA silicone tip, non-aerated spray pattern. Maximum run time is 11 seconds. The 0.50 gpm (1.90 Lpm) flow control option is the equivalent to 0.09 gpc and the 0.35 gpm (1.30 Lpm) flow control option is the equivalent to 0.18 gpc. Automatic 5 second purge within 24 hours of the last use. Recommended operating range is 20-80 psi.

Dryer

The hand dryer is located on the right side of the WashBar, allowing users to dry their hands immediately after washing. This virtually eliminates excess water on the floor. The dryer motor provides heated air at three speeds, high-medium-low, which can be field adjusted by placing the WashBar in configuration mode. The single sided dryer will dry hands in approximately 15 seconds depending on user preference. The decibel range with hands in air stream is 76 dB (high speed) to 64 dB (low speed).

Electrical

Total rated power of each WashBar station is 1200W. Each WashBar is powered by one 12 VDC power supply that plugs directly into its dryer or the electrical outlet. A properly grounded, dedicated 120 VAC, 15A GFCI minimum outlet must be provided and must be located no more than 4 feet from the installation of the dryer assembly. One duplex outlet is required per station to power the WashBar and dryer.

Access Panel

Minimalistic panel is composed of decorative 300 series stainless steel or black, powder-coated stainless steel. Plumbing components, dryer motor, and soap tank are concealed within the panel. Select the enclosed bottom access panel for vandal-prone applications. The new swing down access panel is designed to ease the maintenance process by eliminating tools and only requires one person for installation. Top edge of the access panel has been hemmed to reduce sharpness.

Support Bracket

Bracket design allows for flexible stud or wall blocking anchor locations. Eliminates the need for in-wall carriers and frame. System is IAPMO certified to meet or exceed ANSI load requirements.

Strainer and Drain Assembly System

Strainer and drain assembly system comes complete with 300 series stainless steel trench drain cap, tailpiece, and polypropylene P-trap. Optional chrome plated P-trap available. Select the slotted drain cap with vandal-resistant screws for vandal-prone applications. The multi-station system is configured with one drain and one set of supplies to reduce the cost associated with individual drains and supplies.



LVQD2

Verge® with WashBar™ Technology – LVQ-Series

<p>Models (Must select one)</p> <table border="1" style="width: 100%; border-collapse: collapse;"> <thead> <tr> <th style="width: 15%;">Model</th> <th>Description</th> </tr> </thead> <tbody> <tr> <td>LVQD2</td> <td>Verge with WashBar Technology – LVQ-Series, Two-Station</td> </tr> </tbody> </table> <p>Standard Selections (Must select one from each category)</p> <p>Country of Installation</p> <table border="1" style="width: 100%; border-collapse: collapse;"> <tbody> <tr> <td style="width: 15%;">C1</td> <td>United States or Canada</td> </tr> </tbody> </table> <p>Material Type (select one)</p> <table border="1" style="width: 100%; border-collapse: collapse;"> <tbody> <tr> <td style="width: 15%;">EC</td> <td>Evero Classic – Polished Finish</td> </tr> <tr> <td>EM</td> <td>Evero Matte – Matte Finish</td> </tr> </tbody> </table> <p>Color of Evero® Bowl (select one)</p> <p>NOTE: Click on any swatch to view as a larger image.</p> <p><i>Evero Classic - Geo Series</i>¹</p> <table border="0" style="width: 100%;"> <tr> <td style="width: 50%; vertical-align: top;"> <table border="0"> <tr><td>ANDORRA</td><td><input type="checkbox"/></td><td>Andorra</td></tr> <tr><td>ANTARCTICA</td><td><input type="checkbox"/></td><td>Antarctica</td></tr> <tr><td>ARUBA</td><td><input type="checkbox"/></td><td>Aruba</td></tr> <tr><td>BLACK-SEA</td><td><input type="checkbox"/></td><td>Black Sea</td></tr> <tr><td>DENALI</td><td><input type="checkbox"/></td><td>Denali</td></tr> <tr><td>GLACIER</td><td><input type="checkbox"/></td><td>Glacier Bay</td></tr> <tr><td>KALAHARI</td><td><input type="checkbox"/></td><td>Kalahari</td></tr> </table> </td> <td style="width: 50%; vertical-align: top;"> <table border="0"> <tr><td>MOJAVE</td><td><input type="checkbox"/></td><td>Mojave</td></tr> <tr><td>MYKONOS</td><td><input type="checkbox"/></td><td>Mykonos</td></tr> <tr><td>PATAGONIA</td><td><input type="checkbox"/></td><td>Patagonia</td></tr> <tr><td>RAINIER</td><td><input type="checkbox"/></td><td>Rainier</td></tr> <tr><td>SIENA</td><td><input type="checkbox"/></td><td>Sienna</td></tr> <tr><td>SIERRA</td><td><input type="checkbox"/></td><td>Sierra Madre</td></tr> <tr><td>YUKON</td><td><input type="checkbox"/></td><td>Yukon</td></tr> </table> </td> </tr> </table> <p><i>Evero Classic - Pearl Series</i>¹ (available at an additional charge)</p> <table border="0" style="width: 100%;"> <tr> <td style="width: 50%; vertical-align: top;"> <table border="0"> <tr><td>AKOYA</td><td><input type="checkbox"/></td><td>Akoya</td></tr> </table> </td> <td style="width: 50%; vertical-align: top;"> <table border="0"> <tr><td>BLACK-MOON</td><td><input type="checkbox"/></td><td>Black Moon</td></tr> </table> </td> </tr> </table> <p><i>Evero Matte - Mason Series</i>²</p> <table border="0" style="width: 100%;"> <tr> <td style="width: 50%; vertical-align: top;"> <table border="0"> <tr><td>BEDROCK</td><td><input type="checkbox"/></td><td>Bedrock</td></tr> <tr><td>CINDER</td><td><input type="checkbox"/></td><td>Cinder</td></tr> <tr><td>DESERT CLAY</td><td><input type="checkbox"/></td><td>Desert Clay</td></tr> <tr><td>LIMESTONE</td><td><input type="checkbox"/></td><td>Limestone</td></tr> </table> </td> <td style="width: 50%; vertical-align: top;"> <table border="0"> <tr><td>LUNAR GRAY</td><td><input type="checkbox"/></td><td>Lunar Gray</td></tr> <tr><td>MESA WHITE</td><td><input type="checkbox"/></td><td>Mesa White</td></tr> <tr><td>SANDBAR</td><td><input type="checkbox"/></td><td>Sandbar</td></tr> </table> </td> </tr> </table> <p>WashBar Type (select one)</p> <table border="1" style="width: 100%; border-collapse: collapse;"> <tbody> <tr> <td style="width: 15%;">WB1</td> <td>WashBar WB1 w/Touch-Free Time of Flight Sensor Activation</td> </tr> <tr> <td>WB2</td> <td>WashBar WB2 w/Touch-Free Time of Flight Sensor Activation</td> </tr> <tr> <td>WB1-DO</td> <td>WashBar WB1 Drilling Only</td> </tr> <tr> <td>WB2-DO</td> <td>WashBar WB2 Drilling Only</td> </tr> </tbody> </table> <p>Water Supply Type (select one)</p> <table border="1" style="width: 100%; border-collapse: collapse;"> <tbody> <tr> <td style="width: 15%;">T</td> <td>Navigator® Thermostatic Mixing Assembly (Supply Hoses and Shut-Offs included)</td> </tr> <tr> <td>L</td> <td>Single Tempered Line Assembly (Supply Hoses and Shut-Offs included)</td> </tr> </tbody> </table> <p>Flow Control Type (select one)</p> <table border="1" style="width: 100%; border-collapse: collapse;"> <tbody> <tr> <td style="width: 15%;">3</td> <td>0.35 gpm (1.30 Lpm) PCA Silicone Tip, Multiple Individual Laminar Flow Streams</td> </tr> <tr> <td>5</td> <td>0.50 gpm (1.90 Lpm) PCA Silicone Tip, Multiple Individual Laminar Flow Streams</td> </tr> <tr> <td>NONE</td> <td>No Flow Control³</td> </tr> </tbody> </table>	Model	Description	LVQD2	Verge with WashBar Technology – LVQ-Series, Two-Station	C1	United States or Canada	EC	Evero Classic – Polished Finish	EM	Evero Matte – Matte Finish	<table border="0"> <tr><td>ANDORRA</td><td><input type="checkbox"/></td><td>Andorra</td></tr> <tr><td>ANTARCTICA</td><td><input type="checkbox"/></td><td>Antarctica</td></tr> <tr><td>ARUBA</td><td><input type="checkbox"/></td><td>Aruba</td></tr> <tr><td>BLACK-SEA</td><td><input type="checkbox"/></td><td>Black Sea</td></tr> <tr><td>DENALI</td><td><input type="checkbox"/></td><td>Denali</td></tr> <tr><td>GLACIER</td><td><input type="checkbox"/></td><td>Glacier Bay</td></tr> <tr><td>KALAHARI</td><td><input type="checkbox"/></td><td>Kalahari</td></tr> </table>	ANDORRA	<input type="checkbox"/>	Andorra	ANTARCTICA	<input type="checkbox"/>	Antarctica	ARUBA	<input type="checkbox"/>	Aruba	BLACK-SEA	<input type="checkbox"/>	Black Sea	DENALI	<input type="checkbox"/>	Denali	GLACIER	<input type="checkbox"/>	Glacier Bay	KALAHARI	<input type="checkbox"/>	Kalahari	<table border="0"> <tr><td>MOJAVE</td><td><input type="checkbox"/></td><td>Mojave</td></tr> <tr><td>MYKONOS</td><td><input type="checkbox"/></td><td>Mykonos</td></tr> <tr><td>PATAGONIA</td><td><input type="checkbox"/></td><td>Patagonia</td></tr> <tr><td>RAINIER</td><td><input type="checkbox"/></td><td>Rainier</td></tr> <tr><td>SIENA</td><td><input type="checkbox"/></td><td>Sienna</td></tr> <tr><td>SIERRA</td><td><input type="checkbox"/></td><td>Sierra Madre</td></tr> <tr><td>YUKON</td><td><input type="checkbox"/></td><td>Yukon</td></tr> </table>	MOJAVE	<input type="checkbox"/>	Mojave	MYKONOS	<input type="checkbox"/>	Mykonos	PATAGONIA	<input type="checkbox"/>	Patagonia	RAINIER	<input type="checkbox"/>	Rainier	SIENA	<input type="checkbox"/>	Sienna	SIERRA	<input type="checkbox"/>	Sierra Madre	YUKON	<input type="checkbox"/>	Yukon	<table border="0"> <tr><td>AKOYA</td><td><input type="checkbox"/></td><td>Akoya</td></tr> </table>	AKOYA	<input type="checkbox"/>	Akoya	<table border="0"> <tr><td>BLACK-MOON</td><td><input type="checkbox"/></td><td>Black Moon</td></tr> </table>	BLACK-MOON	<input type="checkbox"/>	Black Moon	<table border="0"> <tr><td>BEDROCK</td><td><input type="checkbox"/></td><td>Bedrock</td></tr> <tr><td>CINDER</td><td><input type="checkbox"/></td><td>Cinder</td></tr> <tr><td>DESERT CLAY</td><td><input type="checkbox"/></td><td>Desert Clay</td></tr> <tr><td>LIMESTONE</td><td><input type="checkbox"/></td><td>Limestone</td></tr> </table>	BEDROCK	<input type="checkbox"/>	Bedrock	CINDER	<input type="checkbox"/>	Cinder	DESERT CLAY	<input type="checkbox"/>	Desert Clay	LIMESTONE	<input type="checkbox"/>	Limestone	<table border="0"> <tr><td>LUNAR GRAY</td><td><input type="checkbox"/></td><td>Lunar Gray</td></tr> <tr><td>MESA WHITE</td><td><input type="checkbox"/></td><td>Mesa White</td></tr> <tr><td>SANDBAR</td><td><input type="checkbox"/></td><td>Sandbar</td></tr> </table>	LUNAR GRAY	<input type="checkbox"/>	Lunar Gray	MESA WHITE	<input type="checkbox"/>	Mesa White	SANDBAR	<input type="checkbox"/>	Sandbar	WB1	WashBar WB1 w/Touch-Free Time of Flight Sensor Activation	WB2	WashBar WB2 w/Touch-Free Time of Flight Sensor Activation	WB1-DO	WashBar WB1 Drilling Only	WB2-DO	WashBar WB2 Drilling Only	T	Navigator® Thermostatic Mixing Assembly (Supply Hoses and Shut-Offs included)	L	Single Tempered Line Assembly (Supply Hoses and Shut-Offs included)	3	0.35 gpm (1.30 Lpm) PCA Silicone Tip, Multiple Individual Laminar Flow Streams	5	0.50 gpm (1.90 Lpm) PCA Silicone Tip, Multiple Individual Laminar Flow Streams	NONE	No Flow Control ³	<p>WashBar Finish Type⁵ (select one)</p> <table border="1" style="width: 100%; border-collapse: collapse;"> <tbody> <tr> <td style="width: 15%;">PC</td> <td><input type="checkbox"/> Polished Chrome</td> </tr> <tr> <td>BB</td> <td><input type="checkbox"/> Brushed Black Stainless</td> </tr> <tr> <td>BS</td> <td><input type="checkbox"/> Brushed Stainless</td> </tr> <tr> <td>BZ</td> <td><input type="checkbox"/> Brushed Bronze</td> </tr> <tr> <td>BR</td> <td><input type="checkbox"/> Brushed Brass</td> </tr> <tr> <td>BN</td> <td><input type="checkbox"/> Brushed Nickel</td> </tr> <tr> <td>NONE</td> <td>No WashBar Finish³</td> </tr> </tbody> </table> <p>Soap Type (select one)</p> <table border="1" style="width: 100%; border-collapse: collapse;"> <tbody> <tr> <td style="width: 15%;">F</td> <td>Foam Soap Dispenser</td> </tr> <tr> <td>L</td> <td>Liquid Soap Dispenser</td> </tr> <tr> <td>NONE</td> <td>No Soap Type³</td> </tr> </tbody> </table> <p>Soap Fill System (select one)</p> <table border="1" style="width: 100%; border-collapse: collapse;"> <tbody> <tr> <td style="width: 15%;">BI</td> <td>Below Fill (Individual, includes 1 gallon (3.72 L) container)</td> </tr> <tr> <td>TS</td> <td>Top Fill Multi-Feed (Shared, includes 6-SOAP-MFT Multi-Feed Soap Tank Assembly)</td> </tr> </tbody> </table> <p>Hand Dryer Type (select one)</p> <table border="1" style="width: 100%; border-collapse: collapse;"> <tbody> <tr> <td style="width: 15%;">HD1</td> <td>DC Motor 120V/60Hz, 20A</td> </tr> <tr> <td>NONE</td> <td>No Hand Dryer³</td> </tr> </tbody> </table> <p>Power Supply (select one)</p> <table border="1" style="width: 100%; border-collapse: collapse;"> <tbody> <tr> <td style="width: 15%;">BA</td> <td>Multi-Feed Battery - 4x D-Cell Batteries Included</td> </tr> </tbody> </table> <p><i>NOTE: Power Supply BA available only with Soap Fill System TS. WashBar only available with plug-in adapter.</i></p> <p>Trench Drain Cap Type (select one)</p> <table border="1" style="width: 100%; border-collapse: collapse;"> <tbody> <tr> <td style="width: 15%;">DR1</td> <td>Stainless Steel Trench Drain Cap⁴</td> </tr> <tr> <td>DR2</td> <td>Slotted Stainless Steel Trench Drain Cap w/Vandal Screws⁴</td> </tr> </tbody> </table> <p>Access Panel Type (select one)</p> <table border="1" style="width: 100%; border-collapse: collapse;"> <tbody> <tr> <td style="width: 15%;">STAIN</td> <td>Swing Down Stainless Steel</td> </tr> <tr> <td>STAIN-E</td> <td>Swing Down Stainless Steel w/Enclosed Bottom</td> </tr> <tr> <td>PWB</td> <td>Swing Down Matte Black Powder-Coated Stainless Steel</td> </tr> <tr> <td>PWB-E</td> <td>Swing Down Matte Black Powder-Coated Stainless Steel w/Enclosed Bottom</td> </tr> </tbody> </table> <p>Access Panel Fastener Type (select one)</p> <table border="1" style="width: 100%; border-collapse: collapse;"> <tbody> <tr> <td style="width: 15%;">TS</td> <td>Thumb Screw</td> </tr> <tr> <td>VS</td> <td>Vandal Resistant Screw</td> </tr> <tr> <td>CL</td> <td>Cam Lock</td> </tr> </tbody> </table> <p>Waste Assembly Type (select one)</p> <table border="1" style="width: 100%; border-collapse: collapse;"> <tbody> <tr> <td style="width: 15%;">S-POLY</td> <td>Single Polypropylene P-Trap</td> </tr> <tr> <td>S-CHROME</td> <td>Single Chrome-Plated P-Trap</td> </tr> </tbody> </table>	PC	<input type="checkbox"/> Polished Chrome	BB	<input type="checkbox"/> Brushed Black Stainless	BS	<input type="checkbox"/> Brushed Stainless	BZ	<input type="checkbox"/> Brushed Bronze	BR	<input type="checkbox"/> Brushed Brass	BN	<input type="checkbox"/> Brushed Nickel	NONE	No WashBar Finish ³	F	Foam Soap Dispenser	L	Liquid Soap Dispenser	NONE	No Soap Type ³	BI	Below Fill (Individual, includes 1 gallon (3.72 L) container)	TS	Top Fill Multi-Feed (Shared, includes 6-SOAP-MFT Multi-Feed Soap Tank Assembly)	HD1	DC Motor 120V/60Hz, 20A	NONE	No Hand Dryer ³	BA	Multi-Feed Battery - 4x D-Cell Batteries Included	DR1	Stainless Steel Trench Drain Cap ⁴	DR2	Slotted Stainless Steel Trench Drain Cap w/Vandal Screws ⁴	STAIN	Swing Down Stainless Steel	STAIN-E	Swing Down Stainless Steel w/Enclosed Bottom	PWB	Swing Down Matte Black Powder-Coated Stainless Steel	PWB-E	Swing Down Matte Black Powder-Coated Stainless Steel w/Enclosed Bottom	TS	Thumb Screw	VS	Vandal Resistant Screw	CL	Cam Lock	S-POLY	Single Polypropylene P-Trap	S-CHROME	Single Chrome-Plated P-Trap
Model	Description																																																																																																																																																											
LVQD2	Verge with WashBar Technology – LVQ-Series, Two-Station																																																																																																																																																											
C1	United States or Canada																																																																																																																																																											
EC	Evero Classic – Polished Finish																																																																																																																																																											
EM	Evero Matte – Matte Finish																																																																																																																																																											
<table border="0"> <tr><td>ANDORRA</td><td><input type="checkbox"/></td><td>Andorra</td></tr> <tr><td>ANTARCTICA</td><td><input type="checkbox"/></td><td>Antarctica</td></tr> <tr><td>ARUBA</td><td><input type="checkbox"/></td><td>Aruba</td></tr> <tr><td>BLACK-SEA</td><td><input type="checkbox"/></td><td>Black Sea</td></tr> <tr><td>DENALI</td><td><input type="checkbox"/></td><td>Denali</td></tr> <tr><td>GLACIER</td><td><input type="checkbox"/></td><td>Glacier Bay</td></tr> <tr><td>KALAHARI</td><td><input type="checkbox"/></td><td>Kalahari</td></tr> </table>	ANDORRA	<input type="checkbox"/>	Andorra	ANTARCTICA	<input type="checkbox"/>	Antarctica	ARUBA	<input type="checkbox"/>	Aruba	BLACK-SEA	<input type="checkbox"/>	Black Sea	DENALI	<input type="checkbox"/>	Denali	GLACIER	<input type="checkbox"/>	Glacier Bay	KALAHARI	<input type="checkbox"/>	Kalahari	<table border="0"> <tr><td>MOJAVE</td><td><input type="checkbox"/></td><td>Mojave</td></tr> <tr><td>MYKONOS</td><td><input type="checkbox"/></td><td>Mykonos</td></tr> <tr><td>PATAGONIA</td><td><input type="checkbox"/></td><td>Patagonia</td></tr> <tr><td>RAINIER</td><td><input type="checkbox"/></td><td>Rainier</td></tr> <tr><td>SIENA</td><td><input type="checkbox"/></td><td>Sienna</td></tr> <tr><td>SIERRA</td><td><input type="checkbox"/></td><td>Sierra Madre</td></tr> <tr><td>YUKON</td><td><input type="checkbox"/></td><td>Yukon</td></tr> </table>	MOJAVE	<input type="checkbox"/>	Mojave	MYKONOS	<input type="checkbox"/>	Mykonos	PATAGONIA	<input type="checkbox"/>	Patagonia	RAINIER	<input type="checkbox"/>	Rainier	SIENA	<input type="checkbox"/>	Sienna	SIERRA	<input type="checkbox"/>	Sierra Madre	YUKON	<input type="checkbox"/>	Yukon																																																																																																																	
ANDORRA	<input type="checkbox"/>	Andorra																																																																																																																																																										
ANTARCTICA	<input type="checkbox"/>	Antarctica																																																																																																																																																										
ARUBA	<input type="checkbox"/>	Aruba																																																																																																																																																										
BLACK-SEA	<input type="checkbox"/>	Black Sea																																																																																																																																																										
DENALI	<input type="checkbox"/>	Denali																																																																																																																																																										
GLACIER	<input type="checkbox"/>	Glacier Bay																																																																																																																																																										
KALAHARI	<input type="checkbox"/>	Kalahari																																																																																																																																																										
MOJAVE	<input type="checkbox"/>	Mojave																																																																																																																																																										
MYKONOS	<input type="checkbox"/>	Mykonos																																																																																																																																																										
PATAGONIA	<input type="checkbox"/>	Patagonia																																																																																																																																																										
RAINIER	<input type="checkbox"/>	Rainier																																																																																																																																																										
SIENA	<input type="checkbox"/>	Sienna																																																																																																																																																										
SIERRA	<input type="checkbox"/>	Sierra Madre																																																																																																																																																										
YUKON	<input type="checkbox"/>	Yukon																																																																																																																																																										
<table border="0"> <tr><td>AKOYA</td><td><input type="checkbox"/></td><td>Akoya</td></tr> </table>	AKOYA	<input type="checkbox"/>	Akoya	<table border="0"> <tr><td>BLACK-MOON</td><td><input type="checkbox"/></td><td>Black Moon</td></tr> </table>	BLACK-MOON	<input type="checkbox"/>	Black Moon																																																																																																																																																					
AKOYA	<input type="checkbox"/>	Akoya																																																																																																																																																										
BLACK-MOON	<input type="checkbox"/>	Black Moon																																																																																																																																																										
<table border="0"> <tr><td>BEDROCK</td><td><input type="checkbox"/></td><td>Bedrock</td></tr> <tr><td>CINDER</td><td><input type="checkbox"/></td><td>Cinder</td></tr> <tr><td>DESERT CLAY</td><td><input type="checkbox"/></td><td>Desert Clay</td></tr> <tr><td>LIMESTONE</td><td><input type="checkbox"/></td><td>Limestone</td></tr> </table>	BEDROCK	<input type="checkbox"/>	Bedrock	CINDER	<input type="checkbox"/>	Cinder	DESERT CLAY	<input type="checkbox"/>	Desert Clay	LIMESTONE	<input type="checkbox"/>	Limestone	<table border="0"> <tr><td>LUNAR GRAY</td><td><input type="checkbox"/></td><td>Lunar Gray</td></tr> <tr><td>MESA WHITE</td><td><input type="checkbox"/></td><td>Mesa White</td></tr> <tr><td>SANDBAR</td><td><input type="checkbox"/></td><td>Sandbar</td></tr> </table>	LUNAR GRAY	<input type="checkbox"/>	Lunar Gray	MESA WHITE	<input type="checkbox"/>	Mesa White	SANDBAR	<input type="checkbox"/>	Sandbar																																																																																																																																						
BEDROCK	<input type="checkbox"/>	Bedrock																																																																																																																																																										
CINDER	<input type="checkbox"/>	Cinder																																																																																																																																																										
DESERT CLAY	<input type="checkbox"/>	Desert Clay																																																																																																																																																										
LIMESTONE	<input type="checkbox"/>	Limestone																																																																																																																																																										
LUNAR GRAY	<input type="checkbox"/>	Lunar Gray																																																																																																																																																										
MESA WHITE	<input type="checkbox"/>	Mesa White																																																																																																																																																										
SANDBAR	<input type="checkbox"/>	Sandbar																																																																																																																																																										
WB1	WashBar WB1 w/Touch-Free Time of Flight Sensor Activation																																																																																																																																																											
WB2	WashBar WB2 w/Touch-Free Time of Flight Sensor Activation																																																																																																																																																											
WB1-DO	WashBar WB1 Drilling Only																																																																																																																																																											
WB2-DO	WashBar WB2 Drilling Only																																																																																																																																																											
T	Navigator® Thermostatic Mixing Assembly (Supply Hoses and Shut-Offs included)																																																																																																																																																											
L	Single Tempered Line Assembly (Supply Hoses and Shut-Offs included)																																																																																																																																																											
3	0.35 gpm (1.30 Lpm) PCA Silicone Tip, Multiple Individual Laminar Flow Streams																																																																																																																																																											
5	0.50 gpm (1.90 Lpm) PCA Silicone Tip, Multiple Individual Laminar Flow Streams																																																																																																																																																											
NONE	No Flow Control ³																																																																																																																																																											
PC	<input type="checkbox"/> Polished Chrome																																																																																																																																																											
BB	<input type="checkbox"/> Brushed Black Stainless																																																																																																																																																											
BS	<input type="checkbox"/> Brushed Stainless																																																																																																																																																											
BZ	<input type="checkbox"/> Brushed Bronze																																																																																																																																																											
BR	<input type="checkbox"/> Brushed Brass																																																																																																																																																											
BN	<input type="checkbox"/> Brushed Nickel																																																																																																																																																											
NONE	No WashBar Finish ³																																																																																																																																																											
F	Foam Soap Dispenser																																																																																																																																																											
L	Liquid Soap Dispenser																																																																																																																																																											
NONE	No Soap Type ³																																																																																																																																																											
BI	Below Fill (Individual, includes 1 gallon (3.72 L) container)																																																																																																																																																											
TS	Top Fill Multi-Feed (Shared, includes 6-SOAP-MFT Multi-Feed Soap Tank Assembly)																																																																																																																																																											
HD1	DC Motor 120V/60Hz, 20A																																																																																																																																																											
NONE	No Hand Dryer ³																																																																																																																																																											
BA	Multi-Feed Battery - 4x D-Cell Batteries Included																																																																																																																																																											
DR1	Stainless Steel Trench Drain Cap ⁴																																																																																																																																																											
DR2	Slotted Stainless Steel Trench Drain Cap w/Vandal Screws ⁴																																																																																																																																																											
STAIN	Swing Down Stainless Steel																																																																																																																																																											
STAIN-E	Swing Down Stainless Steel w/Enclosed Bottom																																																																																																																																																											
PWB	Swing Down Matte Black Powder-Coated Stainless Steel																																																																																																																																																											
PWB-E	Swing Down Matte Black Powder-Coated Stainless Steel w/Enclosed Bottom																																																																																																																																																											
TS	Thumb Screw																																																																																																																																																											
VS	Vandal Resistant Screw																																																																																																																																																											
CL	Cam Lock																																																																																																																																																											
S-POLY	Single Polypropylene P-Trap																																																																																																																																																											
S-CHROME	Single Chrome-Plated P-Trap																																																																																																																																																											

¹ Available with Material Type EC only.
² Available with Material Type EM only.
³ Available only with WB1-DO or WB2-DO
⁴ Available in stainless steel finish only.
⁵ WashBar finish will match Top Fill (TS) port finish.

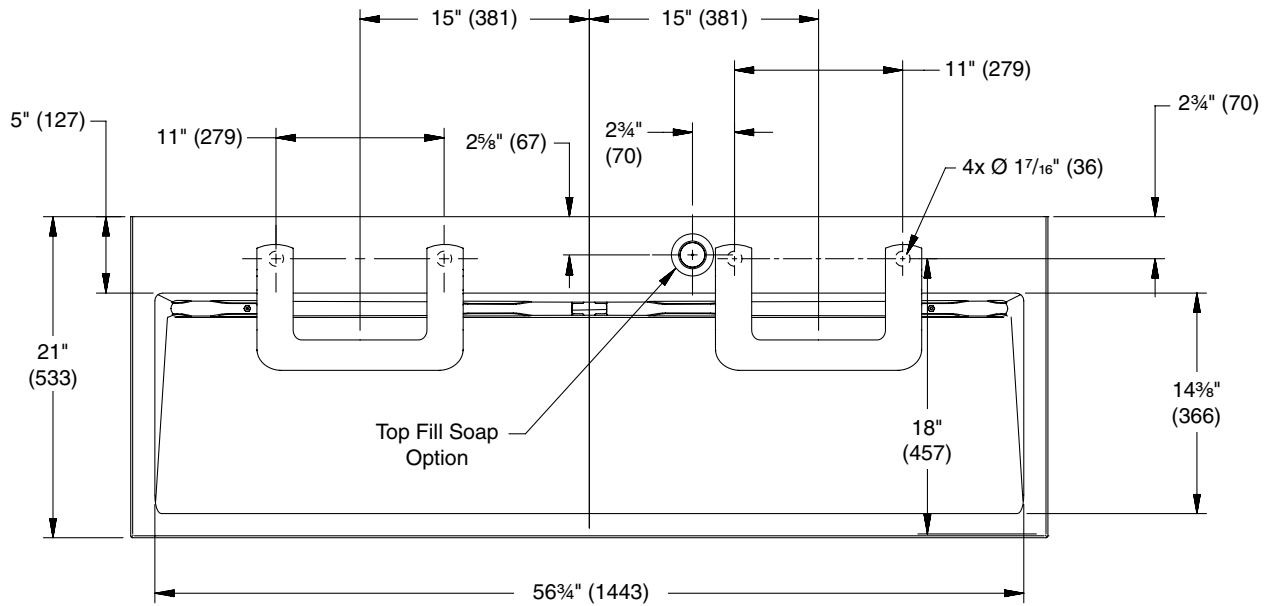


LVQD2 Verge® with WashBar™ Technology – LVQ-Series

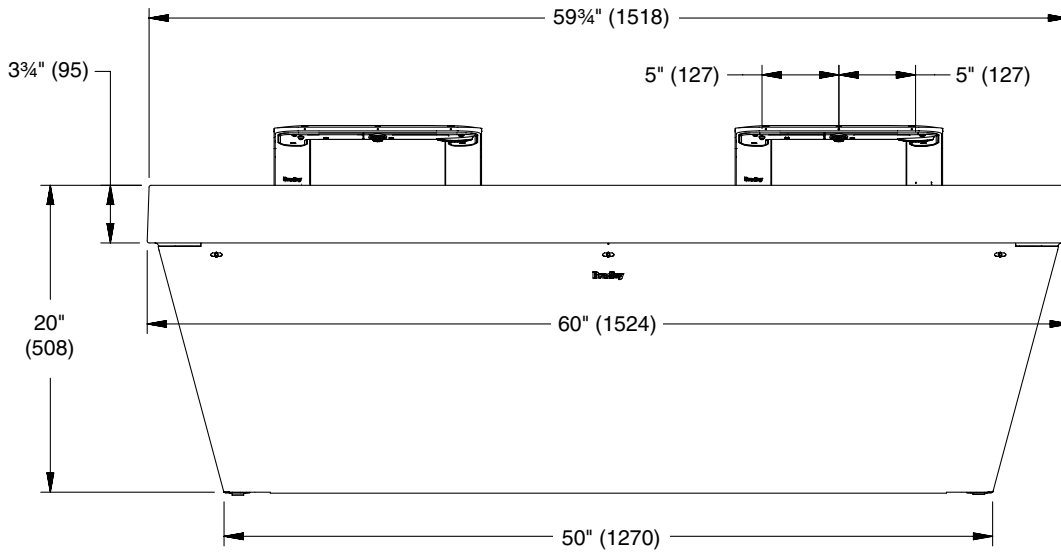
Dimensions for LVQD2 Wash Basin – WB1

(mm)

Top View



Front View





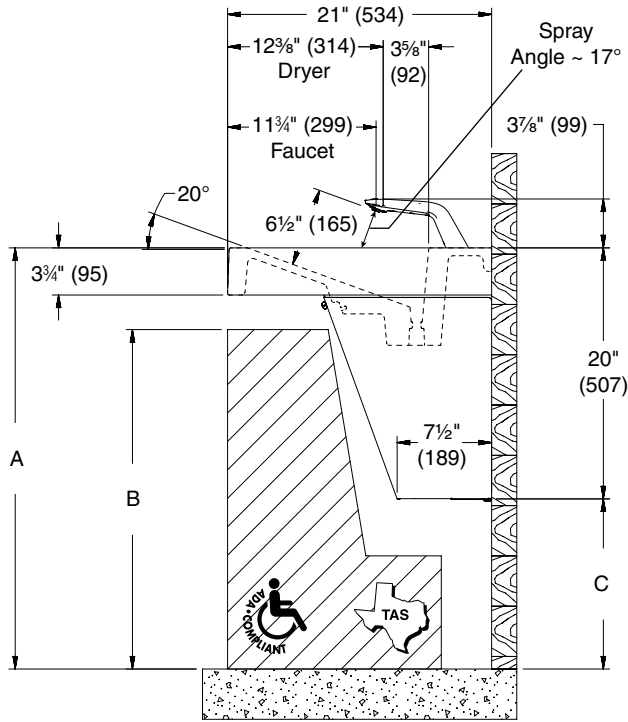
LVQD2

Verge® with WashBar™ Technology – LVQ-Series

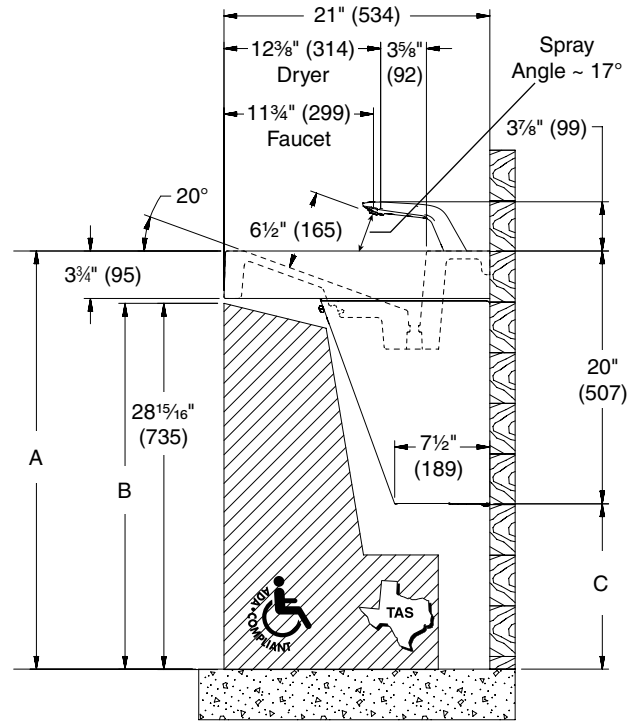
Dimensions for LVQD1 Wash Basin – WB1

(mm)

Side View



Side View - Canadian Standards



	ADA/TAS Standard Height	ADA/TAS Juvenile Height (Children 6-12 years)
Dim A	33 1/2" (851)	30 1/2" (775)
Dim B	27" (686)	24" (610)
Dim C	13 1/2" (343)	10 1/2" (267)

	CSA Standard Height
Dim A	33 1/2" (851)
Dim B	29 29/32" (760)
Dim C	13 1/2" (536)



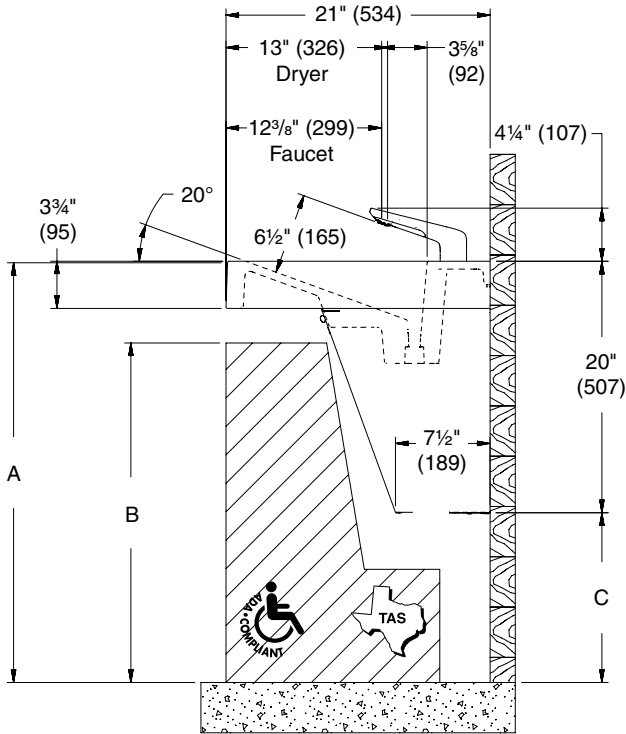
LVQD2

Verge® with WashBar™ Technology – LVQ-Series

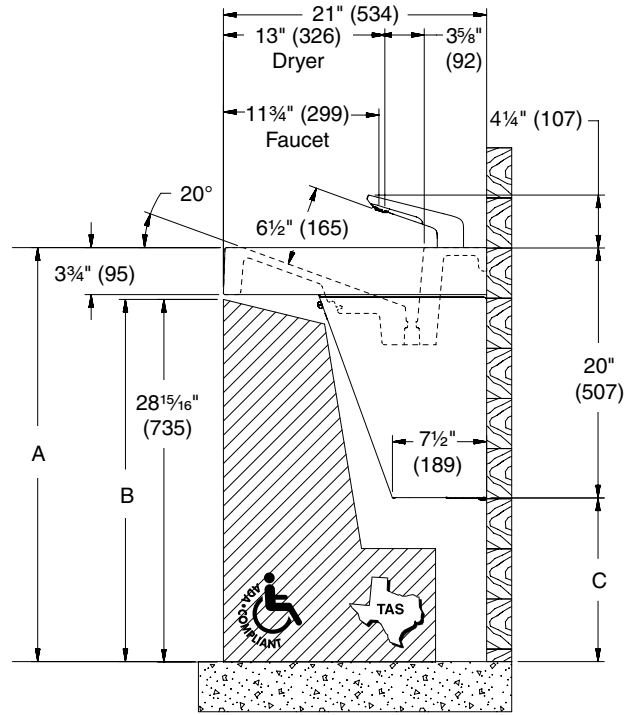
Dimensions for LVQD1 Wash Basin – WB2

(mm)

Side View



Side View - Canadian Standards



	ADA/TAS Standard Height	ADA/TAS Juvenile Height (Children 6-12 years)
Dim A	33 ³ / ₈ " (848)	30 ¹ / ₂ " (775)
Dim B	27" (686)	24" (610)
Dim C	13 ¹ / ₂ " (343)	10 ¹ / ₂ " (267)

	CSA Standard Height
Dim A	33 ¹ / ₂ " (851)
Dim B	29 ²⁹ / ₃₂ " (760)
Dim C	13 ¹ / ₂ " (536)



LVQD2

Verge® with WashBar™ Technology – LVQ-Series

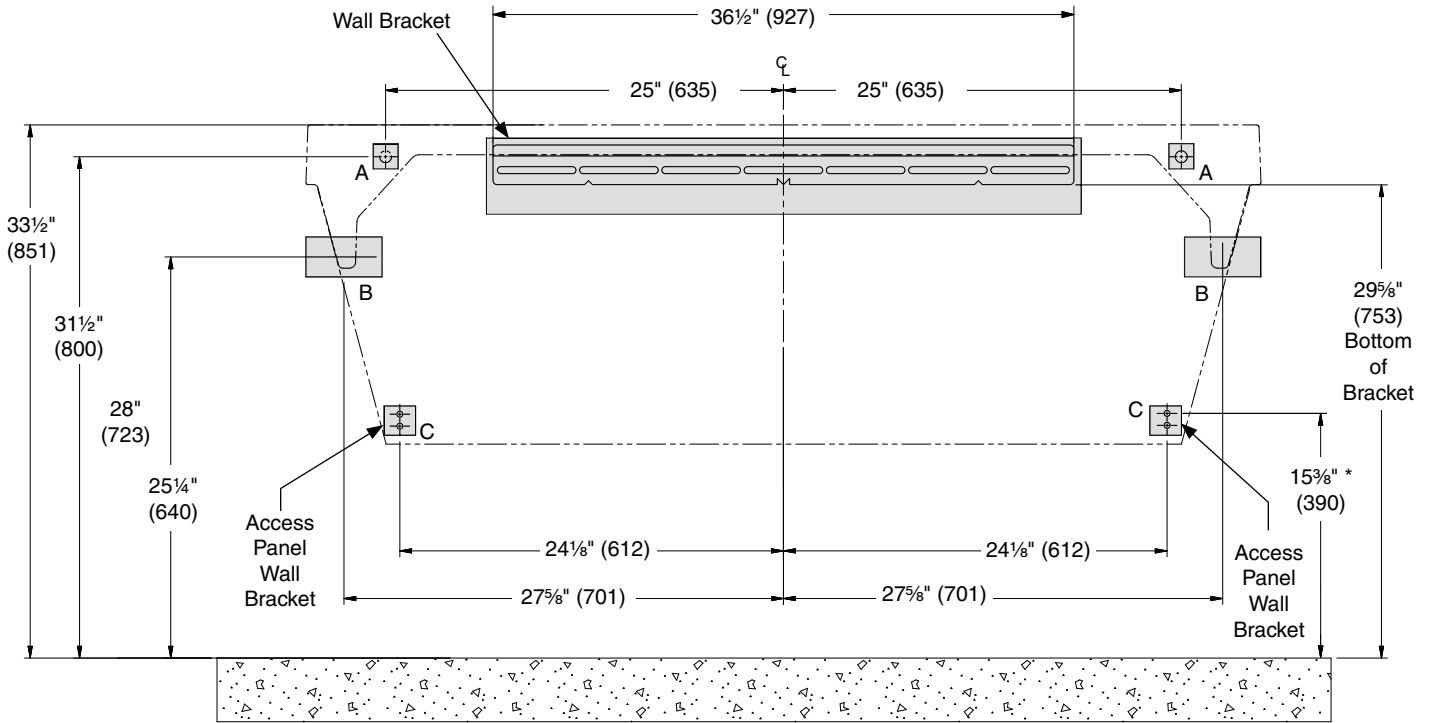
Structural Rough-Ins for Bowl & Access Panel

(mm)

⚠ WARNING Ensure bowl is completely seated in the wall bracket and securely fastened to the wall at point A.

Points A, B, and C (highlighted in gray) require sufficient backing compliant with local building codes.

Mounting for Standard ADA and TAS height shown.



CODE	DESCRIPTION	QTY.
A	Install (1) 3/8" wall anchor with a minimum pull-out force of 1,000 lb per local codes at locations shown.	2
B	Provide structural backing compliant with local building codes.	2
C	Install wall anchor with a minimum pull-out force of 100 lb per local codes at locations shown.	4

* Measured from center of top slot on access panel wall bracket

RIM HEIGHT	VERTICAL HEIGHT ADJUSTMENTS	FIXTURE STYLE
33 1/2"	No Adjustment	Standard Height ADA, TAS, and CSA
30 1/2"	Subtract 3"	Juvenile ADA, and TAS



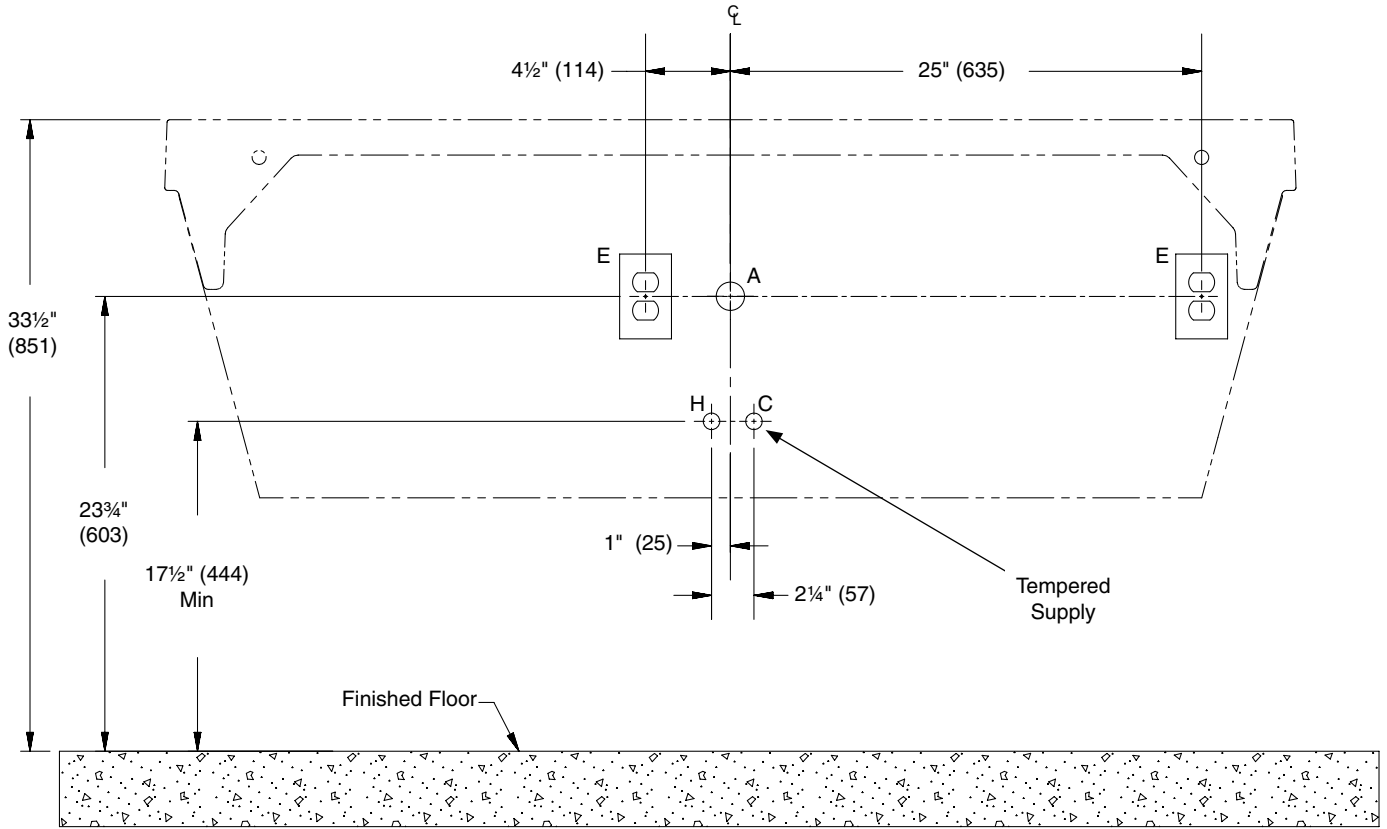
LVQD2

Verge® with WashBar™ Technology – LVQ-Series

Plumbing and Electrical Rough-Ins for LVQD2 Wash Basin

(mm)

Mounting for Standard ADA and TAS height shown.



CODE	DESCRIPTION	QTY.
A	1½" NPT Drain, Stub-out 2" from wall	1
H,C	½" Nominal (⅝" O.D. Comp.) Hot/Cold supplies, Stub-out 2" from wall	1
E	Dedicated 120VAC, 15A GFCI minimum outlet must be provided, which is properly grounded and no more than 4 ft from the installation of the dryer assembly*	2

*If no GFCI outlet is provided, contact a licensed electrician to ensure proper electrical connections in accordance with local building codes. Troubleshooting and internal maintenance must be performed by qualified service personnel.



LVQD2

Verge® with WashBar™ Technology – LVQ-Series

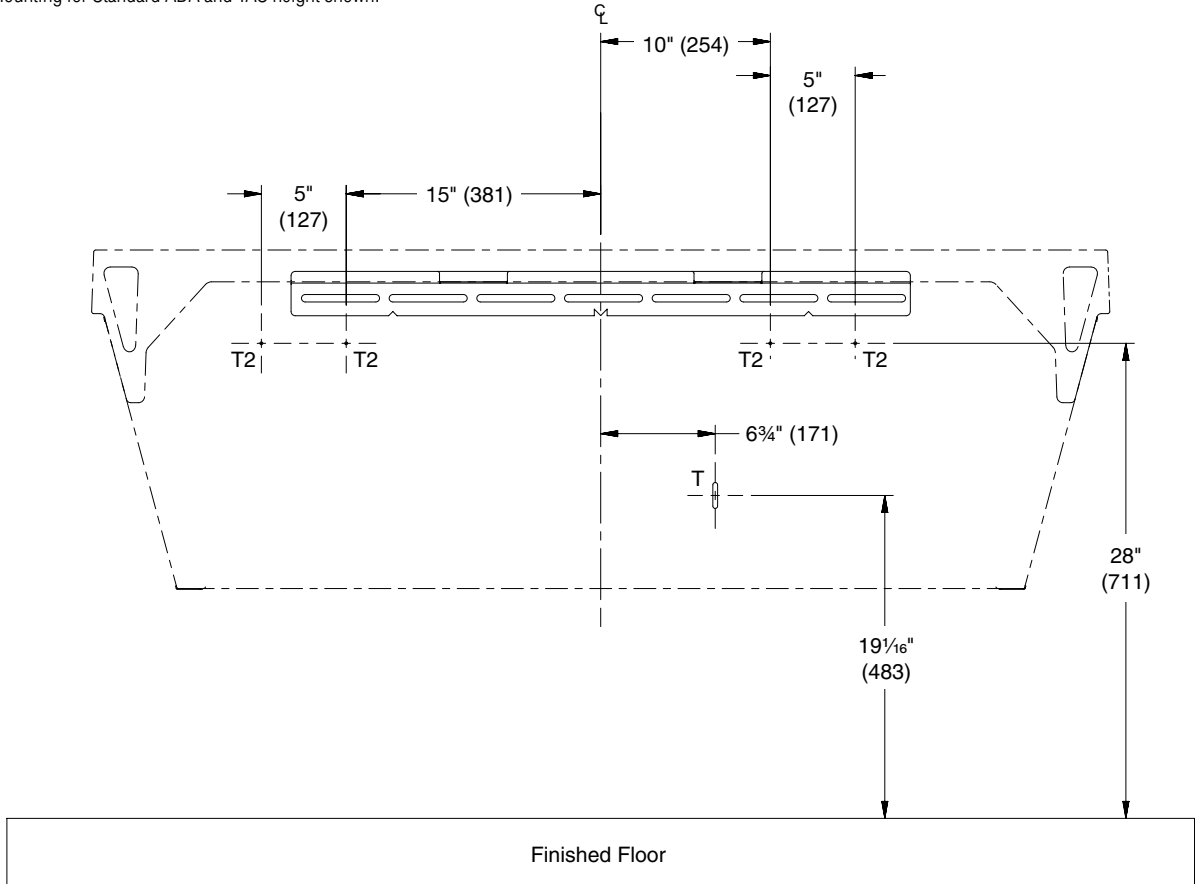
Structural Rough-Ins for Top Fill Soap

(mm)

⚠ WARNING Ensure bowl is completely seated in the wall bracket and securely fastened to the wall at point A.

Points T and T2 require sufficient backing compliant with local building codes.

Mounting for Standard ADA and TAS height shown.



CODE	DESCRIPTION	QTY.
T	#10 Wall Anchors for Top Fill Soap Tank Mount	1
T2	#10 Wall Anchors for Top Fill Soap Control Box Bracket	4

* Measured from center of top slot on access panel wall bracket

RIM HEIGHT	VERTICAL HEIGHT ADJUSTMENTS	FIXTURE STYLE
33 1/2"	No Adjustment	Standard Height ADA, TAS, and CSA
30 1/2"	Subtract 3"	Juvenile ADA and TAS



LVQD2

Verge® with WashBar™ Technology – LVQ-Series

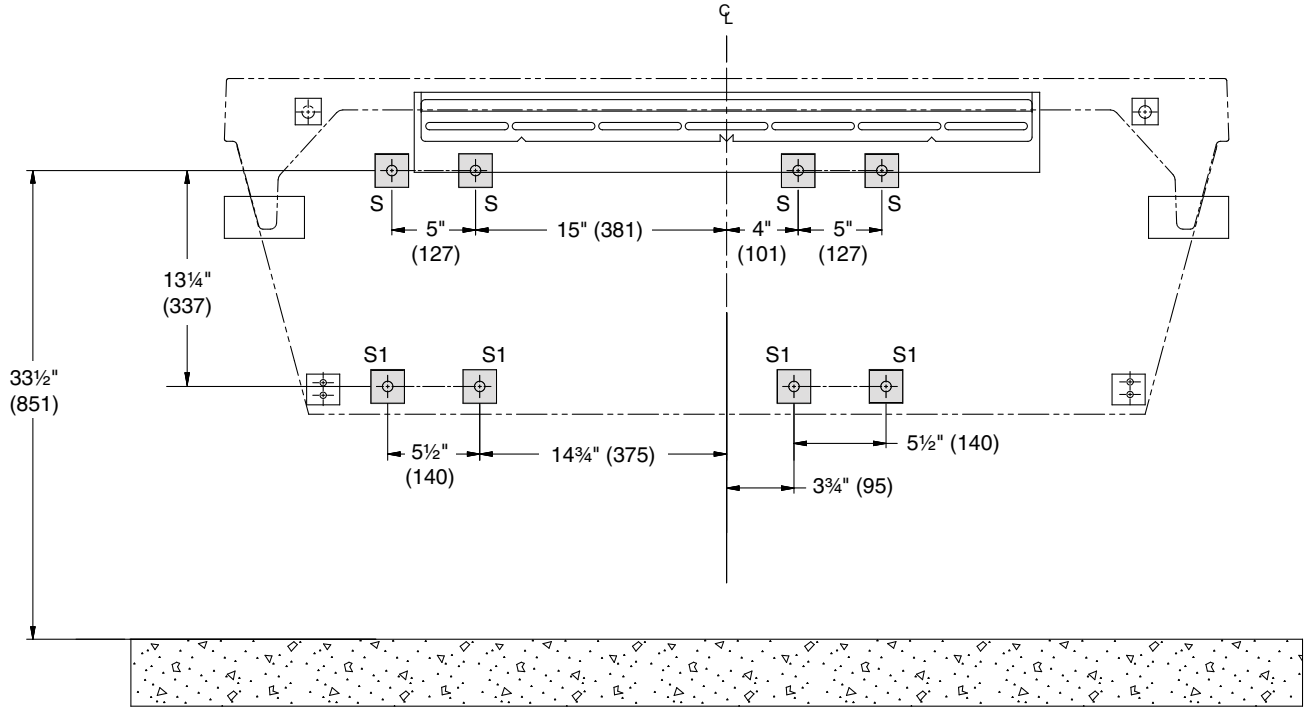
Structural Rough-Ins for Bottom Fill Soap

(mm)

⚠ WARNING Ensure bowl is completely seated in the wall bracket and securely fastened to the wall at point A.

Points S and S1 (highlighted in gray) require sufficient backing compliant with local building codes.

Mounting for Standard ADA and TAS height shown.



CODE	DESCRIPTION	QTY.
S	#10 Wall Anchors for Soap Control Box Bracket	4
S1	#10 Wall Anchors for Soap Tank Bracket (100 lb pull out force)	4

* Measured from center of top slot on access panel wall bracket

RIM HEIGHT	VERTICAL HEIGHT ADJUSTMENTS	FIXTURE STYLE
33 1/2"	No Adjustment	Standard Height ADA, TAS, and CSA
30 1/2"	Subtract 3"	Juvenile ADA and TAS