



7B2 Series

Elvari™ Surface-Mounted Shelf

Key Features

- High quality and modern style complements other [Elvari™ products](#)
- Single-piece design for easy mounting
- Advanced welding construction of front and sides
- Optional hooks for personal items, two per shelf
- Radiused sides for a softer design

Guide Specification

Top and back of surface-mounted shelf shall be fabricated of 20-gauge, 300 series stainless steel in a brushed #3 satin finish and has an integral back mounting plate. Front and sides shall be fabricated of 18-gauge, 300 series stainless steel in a brushed #3 satin finish. All exposed surfaces in architectural satin finish. Optional hooks for holding personal items are available. Hooks mount between the wall and back of shelf and are constructed of 20-gauge, 300 series stainless steel in a brushed #3 satin finish.

MasterFormat Title: Commercial Toilet Accessories

MasterFormat Number: 10 28 13.13

OmniClass Title: Toilet and Bath Specialties

OmniClass Code: 23.31.25.00

Finishes

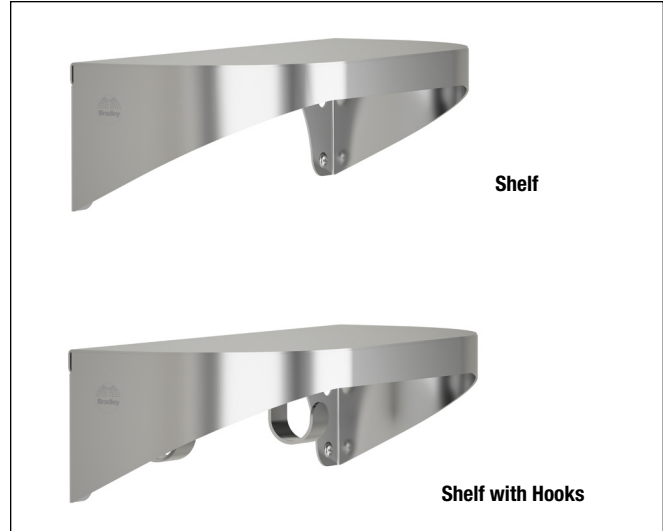
Click on any color swatch to view as a larger image.



Satin Stainless

BradEX® Models

Standard Model Number	Depth (mm)	Length (mm)	Hooks (qty. 2)
7B2-0051200	5" (127)	12" (305)	No
7B2-0051800	5" (127)	18" (457)	No
7B2-0082400	8" (203)	24" (610)	No
7B2-0051296	5" (127)	12" (305)	Yes
7B2-0051896	5" (127)	18" (457)	Yes
7B2-0082496	8" (203)	24" (610)	Yes



Models (Must select one)

Model	Description
7B2	Elvari Surface-Mounted Shelf

Standard Selections (Must select one from each category)

Shelf Depth (select one)

5	5" Deep
8	8" Deep

Shelf Length (select one)

12	12" Long
18	18" Long
24	24" Long

Hooks (select one)

0	No Hooks
96	Hooks (qty. 2)

For information on Warranties, Maintenance and BAA/ARRA Compliance, visit our website at: bradleycorp.com/washroom-accessories-products

Orders composed of products indicated as **BradEX®** will be available to ship in three days after receipt of order at the factory. There is no pricing penalty for this service from Bradley.

Verify all rough-in dimensions prior to installation.

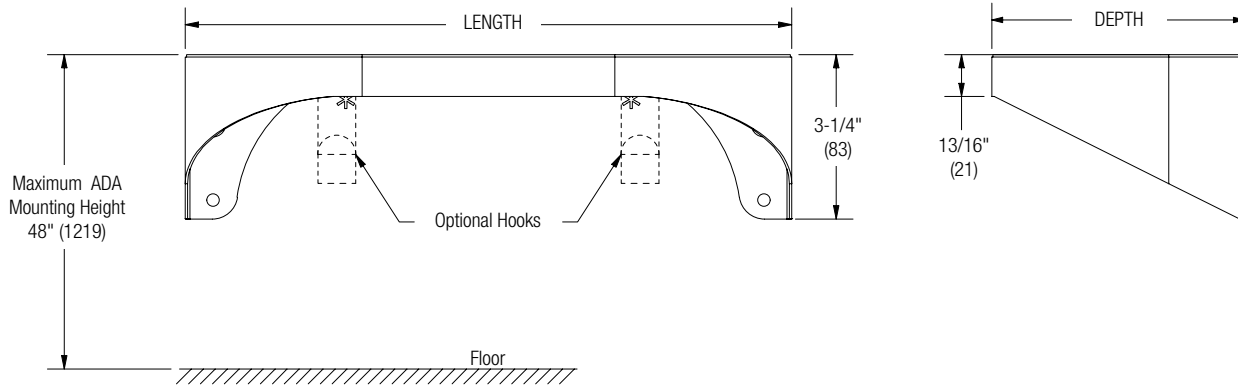


7B2 Series Elvari™ Surface-Mounted Shelf

Dimensions

(mm)

Shelf dimensions shown with optional hooks. Dimensions for shelves without hooks similar.



Standard Model Number	Depth (mm)	Length (mm)	Hooks (qty. 2)
7B2-0051200	5" (127)	12" (305)	No
7B2-0051800	5" (127)	18" (457)	No
7B2-0052400	5" (127)	24" (610)	No
7B2-0081200	8" (203)	12" (305)	No
7B2-0081800	8" (203)	18" (457)	No
7B2-0082400	8" (203)	24" (610)	No
7B2-0051296	5" (127)	12" (305)	Yes
7B2-0051896	5" (127)	18" (457)	Yes
7B2-0052496	5" (127)	24" (610)	Yes
7B2-0081296	8" (203)	12" (305)	Yes
7B2-0081896	8" (203)	18" (457)	Yes
7B2-0082496	8" (203)	24" (610)	Yes

Orders composed of products indicated as **BradEX**® will be available to ship in three days after receipt of order at the factory. There is no pricing penalty for this service from Bradley.

Verify all rough-in dimensions prior to installation.