



Key Features

- High quality and modern style complements other [Elvari™ products](#)
- Concealed BradLock™ magnetic locking system
- Unique indicator to alert maintenance staff
- Leak-proof waste container
- Wall saver, anti-slam design

Operation

Front door pushes open for end user to dispose of sanitary product waste. Red indicator allows custodial staff to quickly see if unit has been used and automatically resets after staff has emptied unit. Front cover opens for sanitary removal of liners and includes hinge with wall-saver, anti-slam design. Utilizes standard paper or plastic liners. Integrated liner clips hold liner in place. BradLock system and magnetic key provide security, a seamless design, and easy access for service. Magnetic lock location is hidden from view behind the Bradley logo.

Guide Specification

Recessed napkin/tampon disposal unit with self-trimming design. Capacity 1.5 gal (0.2 cu. ft.). Equipped with push flap door with concealed hinges, hinged drop-down service door with BradLock system, and removable, leak-proof waste container. Formed from 20-gauge, 300 series stainless steel in a brushed #3 satin finish.

Overall Dimensions:

17-3/16" H x 13-5/16" W x 4-11/16" D (437mm x 338mm x 119mm)

MasterFormat Title: Commercial Toilet Accessories

MasterFormat Number: 10 28 13.13

OmniClass Title: Toilet and Bath Specialties

OmniClass Code: 23.31.25.00

Product Compliance

Complies with

- The Americans with Disabilities Act (ADA)
- ANSI/ICC A117.1 - Accessible and Usable Buildings & Facilities



Consult local and national accessibility codes for proper installation guidelines. Conformity and compliance with local and national codes is the responsibility of the installer.



Finishes

Click on any color swatch to view as a larger image.

 Satin Stainless

Model (Must select one)	
4B2	Elvari Napkin Disposal
Standard Selections (Must select one from each category)	
Mounting Type (select one)	
0	Recessed ¹

¹ Model available with **BradEX**® expedited shipping.

Orders composed of products indicated as **BradEX**® will be available to ship in three days after receipt of order at the factory. There is no pricing penalty for this service from Bradley.

Verify all rough-in dimensions prior to installation.

Page 1 of 2 10/31/2023

This information is subject to change without notice.

Bradley_NapkinDisposal_4B2-00

[View Latest Version](#)

For information on Warranties, Maintenance and BAA/ARRA Compliance, visit our website at: bradleycorp.com/washroom-accessories-products

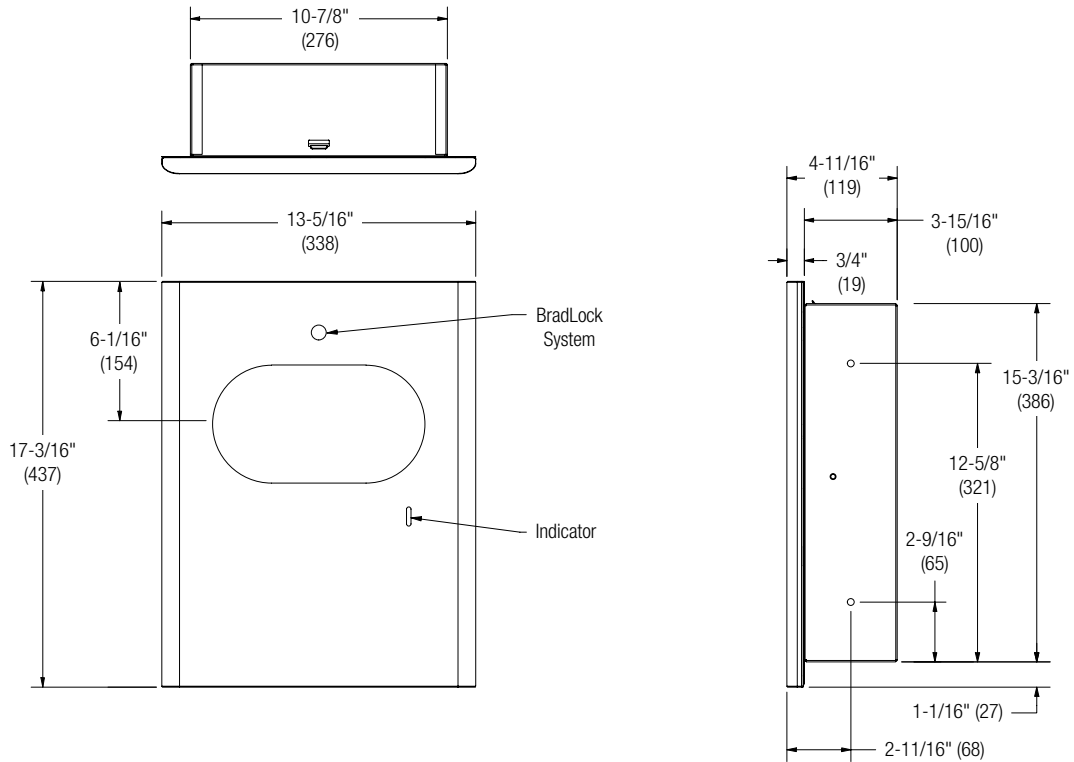
© 2023 Bradley
 P.O. Box 309, Menomonee Falls, WI 53052-0309
 800 BRADLEY (800 272 3539) +1 262 251 6000
bradleycorp.com



4B2-00 Elvari™ Recessed Napkin Disposal

Dimensions

(mm)



Orders composed of products indicated as **BradEX**® will be available to ship in three days after receipt of order at the factory. There is no pricing penalty for this service from Bradley.

Verify all rough-in dimensions prior to installation.

Page 2 of 2

10/31/2023

[View Latest Version](#)

This information is subject to change without notice.
Bradley_NapkinDisposal_4B2-00

© 2023 Bradley
P.O. Box 309, Menomonee Falls, WI 53052-0309
800 BRADLEY (800 272 3539) +1 262 251 6000
bradleycorp.com