



# 2B1 Series Elvari™ Surface-Mounted Towel Dispenser

## Key Features

- High quality and modern style complements other [Elvari™ products](#)
- Advanced weld construction
- Pill-shape design
- Concealed BradLock™ magnetic locking system
- Red, low-level indicator

## Operation

Towel dispenser holds C-fold or multi-fold towels with integral, easy-feed towel guide liner. BradLock system and magnetic key provide security, a seamless design, and easy access for service. Magnetic lock location is hidden from view behind the Bradley logo.

## Capacity

**Small Capacity:** Approximately 400 folded paper towels

**Medium Capacity:** Approximately 500 folded paper towels

**Large Capacity:** Approximately 800 folded paper towels

## Guide Specification

Surface-mounted towel dispenser. High quality and style. 20-gauge, 300 series stainless steel in a brushed #3 satin finish. Welded, pill-shape construction. Red, low-level indicator provides notice that refill is needed. Integral, easy-feed towel guide liner. Magnetic locking system and magnetic key included.

### Overall Dimensions – Small Capacity:

9-13/16" H x 13-15/16" W x 4" D (214mm x 354mm x 102mm)

### Overall Dimensions – Medium Capacity:

16-13/16" H x 13-15/16" W x 4" D (427mm x 354mm x 102mm)

### Overall Dimensions – Large Capacity:

24-1/16" H x 13-15/16" W x 4" D (611mm x 354mm x 102mm)

**MasterFormat Title:** Commercial Toilet Accessories

**MasterFormat Number:** 10 28 13.13

**OmniClass Title:** Toilet and Bath Specialties

**OmniClass Code:** 23.31.25.00

## Finishes

Click on any color swatch to view as a larger image.



Satin Stainless

Orders composed of products indicated as **BradEX**® will be available to ship in three days after receipt of order at the factory. There is no pricing penalty for this service from Bradley.

Verify all rough-in dimensions prior to installation.



## Product Compliance

### Complies with

- The Americans with Disabilities Act (ADA)
- ANSI/ICC A117.1 - Accessible and Usable Buildings & Facilities



Consult local and national accessibility codes for proper installation guidelines. Conformity and compliance with local and national codes is the responsibility of the installer.

<b>Model</b> (Must select one)	
<b>2B1</b>	Elvari Towel Dispenser
<b>Standard Selections</b> (Must select one from each category)	
<b>Mounting Type</b> (select one)	
<b>11</b>	Surface Mounted
<b>Capacity Type</b> (select one)	
<b>34</b>	Small Capacity <sup>1</sup>
<b>0</b>	Medium Capacity <sup>1</sup>
<b>36</b>	Large Capacity <sup>1</sup>

<sup>1</sup> Model available with **BradEX**® expedited shipping.

For information on Warranties, Maintenance and BAA/ARRA Compliance, visit our website at: [bradleycorp.com/washroom-accessories-products](http://bradleycorp.com/washroom-accessories-products)

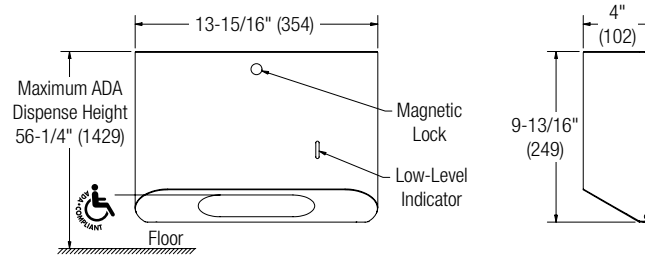


# 2B1 Series Elvari™ Surface-Mounted Towel Dispenser

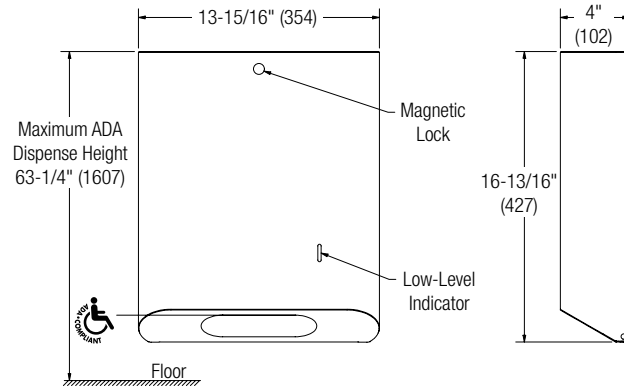
## Dimensions

(mm)

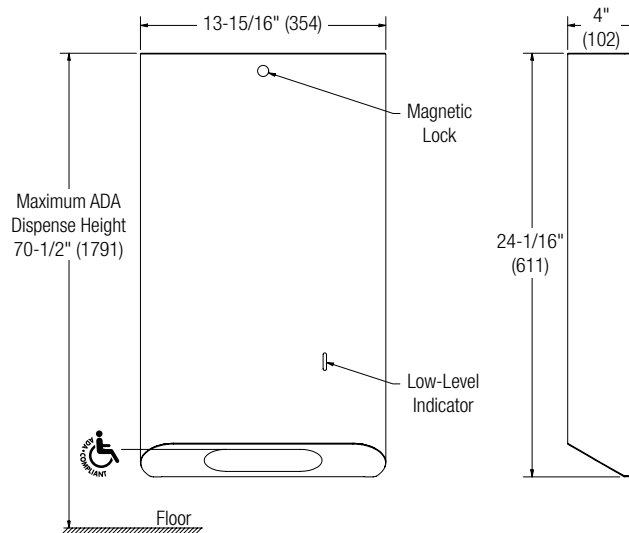
### Small Capacity



### Medium Capacity



### Large Capacity



Orders composed of products indicated as **BradEX**® will be available to ship in three days after receipt of order at the factory. There is no pricing penalty for this service from Bradley.

Verify all rough-in dimensions prior to installation.