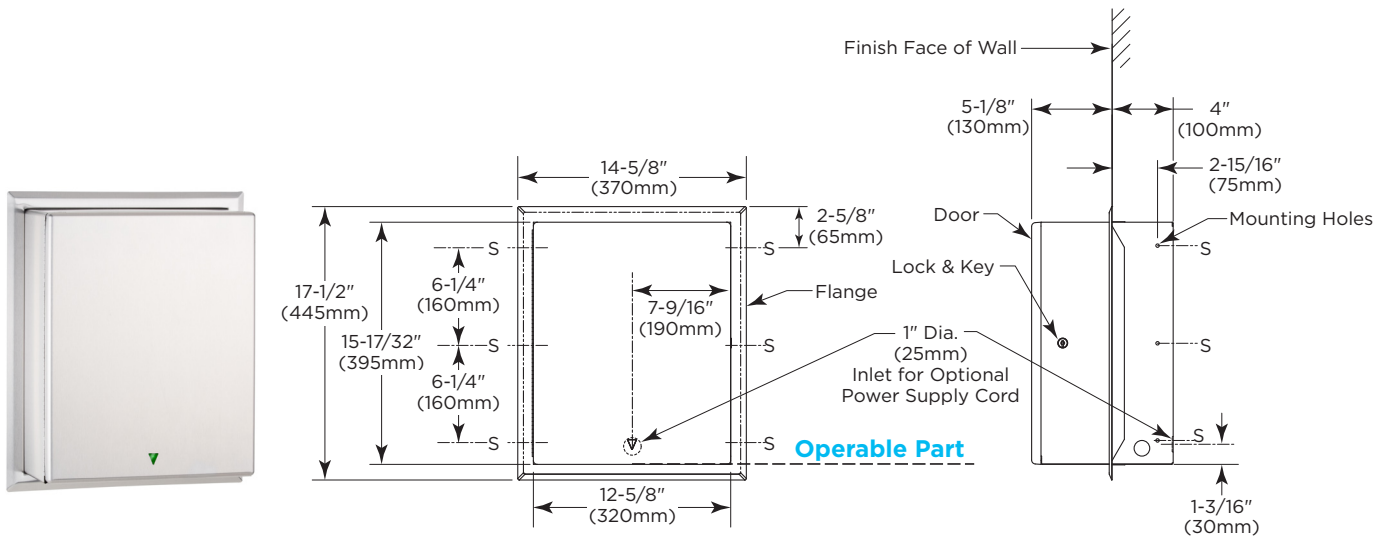




Technical Data

SEMI-RECESSED AUTOMATIC, UNIVERSAL ROLL PAPER TOWEL DISPENSER

B-29744



Rough Wall Opening
 13" (330mm) wide
 16" (405mm) high
 4" (102mm) minimum
 recessed depth

MATERIALS:

Cabinet — 18-8, Type-304, heavy-gauge stainless steel. All-welded construction. Exposed surfaces have satin finish. Equipped with a tumbler lock keyed like other Bobrick washroom accessories.

Door — 18-8, Type-304, 20-gauge (0.9mm) stainless steel with satin finish. Drawn, one-piece, seamless construction. Secured to cabinet with a full-length stainless steel piano-hinge.

Flange — 18-8, Type-304, 22-gauge (0.8mm) stainless steel with satin finish. Drawn, one-piece, seamless construction.

Shell — 18-8, Type-304, 22-gauge (0.8mm) stainless steel. All welded construction. Exposed surfaces have satin finish.

Automatic Roll Towel Dispenser — Durable, high-impact resin materials. Accepts universal standard-core, non-perforated rolls 8" (205mm) wide, 8" (205mm) diameter. 800 ft (244 m) long. Dispenses one towel per dispense and can be set to dispense paper towels at three different lengths. Accommodates up to 3-1/2" (90mm) diameter stub roll with automatic transfer to full roll.

continued . . .

OPERATION:

Adjustable (2", 3.5", 4") electronic sensor automatically dispenses towel when hands are placed under the towel opening. Intuitive LED light on door directs patrons to dispense area. Dispenses universal, 1-1/2" to 2" (38 to 51mm) diameter core, up to 8" (205mm) diameter, 8" (205mm) wide, non-perforated, non-proprietary paper towel rolls. LED light on the door flashes green when dispenser is ready to dispense, flashes slowly red to indicate it needs paper and red and green (alternating) to indicate low battery. Towel length can be set to short 10", medium 12" and long 14" lengths. Dispenser can be set to exposed or hidden mode which determines whether a paper towel hangs down when in idle mode. Customizable sensor can be set to 4", 6" or 8". Dispenser includes a 3-1/2" (90mm) diameter stub roll feature. Paper advance button dispenses paper when pressed.

POWER REQUIREMENTS:

Dispenser is powered by 4 "D" size alkaline batteries (not furnished) or an external 6-volt AC to DC switching power supply. Power supply is an optional accessory: order Bobrick AC Adapter Kit Part No. 3974-57. (For non-U.S. compatible plugs, order Part No. 3974-58).

INSTALLATION:

Provide framed rough wall opening 13" wide x 16" high (345x 420mm). Minimum recessed depth required to finish face of wall is 4" (102mm). Allow clearance for construction features that may protrude into rough wall opening from opposite wall. Coordinate with mechanical engineer to avoid pipes, vents and conduits. If unit projects above top of wainscot, provide channel or other filler to eliminate gap between flange and finish face of wall. Unlock and open the door of the dispenser cabinet. Mount unit in wall opening with shims between framing and cabinet at all points indicated by an S, then secure with #8 x 1/2" (4.2 x 13mm) sheet metal screws. For above counter installation, the unit sensor must be installed 7.5" above the counter or any protrusion. Above counter installation is not permitted in the state of California.

Open battery cover at the front of the dispenser and install 4, "D" size alkaline batteries. Select sheet length and "Paper Saver" mode using the switches to the right of the batteries. Load paper towel using the instructions on the dispenser.

Electrical supply for use with 6-volt AC to DC power supply must be installed per applicable building codes.

SPECIFICATION:

Semi-recessed mounted automatic universal roll paper towel dispenser shall be Type-304 stainless steel with all-welded construction; exposed surfaces shall have satin finish. Door shall be secured to cabinet with a full-length stainless steel piano-hinge and equipped with a concealed tumbler lock keyed like other Bobrick washroom accessories. No-touch dispenser, dispenses universal, 1-1/2" to 2" (38 to 51mm) diameter cores, up to 8" (205mm) diameter, 8" (205mm) wide, non-perforated, non-proprietary rolls. 800 ft (244 m) long. Dispenser automatically dispenses towel when hands are placed under the towel opening. Dispenser can be powered by 4 "D" size alkaline batteries or an optional 6-volt AC to DC power supply. Equipped with switches that allow paper length to be set at 9" (230mm), 12" (305mm) or 15" (380mm) and "Paper Saver" feature that provides a shorter second sheet with options of 25% shorter and 12.5% shorter. Blinking LED indicates if batteries need to be replaced. Automatic transfer shall dispense stub roll up to 3-1/2" (90mm) diameter before new roll is dispensed.

Semi-Recessed Automatic Universal Roll Paper Towel Dispenser shall be Model B-29744 of Bobrick Washroom Equipment, Inc., Clifton Park, New York; Jackson, Tennessee; Los Angeles, California; Bobrick Washroom Equipment Company, Scarborough, Ontario; Bobrick Washroom Equipment Pty. Ltd., Australia; and Bobrick Washroom Equipment Limited, United Kingdom.