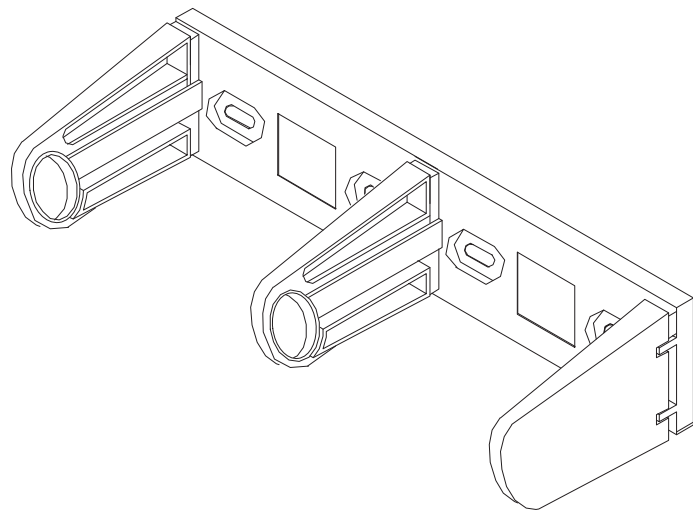
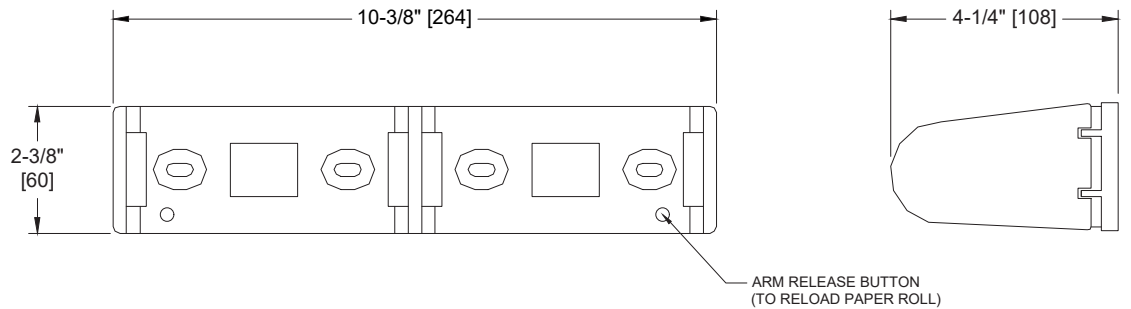


Toilet Tissue Holder (Double) – Surface Mounted

Toilet Tissue Dispensers

MasterFormat Section 10 28 13



NOTE:
ALL DIM'S INCH [MM]
ILLUSTRATION FOR REF ONLY AND NTS



SUSTAINABILITY/LEED

MR 4.1 (1) MR 6 (1) EQ 4.2 (1)
MR 4.2 (1) EQ 4.1 (1) EQ 4.4 (1)

PRODUCT OVERVIEW

Holds and dispenses two (2) rolls of all standard core roll tissue, up to 5" diameter [Ø127]. Unit back plate and support arms are fabricated of heavy duty cast zinc with a polished chrome finish. Tension device prevents roll from spinning freely. Unit is replenished by pushing either (of two (2)) concealed button which in turn releases a spring lock mechanism at either end of holder and allows arms to swing open.

KEY FEATURES & SPECIFICATIONS

- Double Roll Dispenser
- Type 304 Stainless Steel - Satin Finish
- Surface Mounted

OPERATION & MAINTENANCE

Unit is replenished by removing depleted core from holder and then pulling hinged side forward, which releases the snap-lock mechanism and allows hinged arm to swing out and around for servicing. Roll cannot be removed from unit until toilet tissue is exhausted.

TECHNICAL INFORMATION / PRODUCT PROPERTIES

Property	Value
Dimensions	10-3/8" [264] W x 2-3/8" [60] H x 4-1/4" [108] D
Construction	Type 304 Stainless Steel - Satin Finish
Mounting	Surface Mounted
Capacity	Holds two (2) rolls of standard core roll toilet paper up to 5" Dia. [Ø127]

INSTALLATION

Unit is surfaced Mounted to wall or partition using #10 self-threading screws (supplied) through four (4) slots in back plate. For compliance with 2010 ADA Accessibility Standards unit should be installed with rollers centerline between 44" [1118] maximum above finished floor (AFF) and 19" [483] minimum AFF and leading edge of roll no further than 36" [914] from back wall behind commode.

OPTIONS
WARRANTY

One (1) Year from date of Invoice