



model 3612F

ADA Filtered Stainless Steel Bottle Filler and Drinking Fountain

FEATURES & BENEFITS

ADA COMPLIANCE

ADA-compliant bottle filling station and dual-height high-low drinking fountain required for wheel chair use, and for the standing person.

FRONT APPROACH

Face all three water stations frontward and the overall footprint needed is only 73 inches wide, saving 33% of the hard scape required for access compliance. This also allows the fountain to be placed with its back to within 8 inches of a wall or a fence.

BOTTLE FILLER

The ADA-compliant open design bottle filling station offers a 17" high bottle area, and open sides making this push button operated bottle filling station more accessible to users.

STAINLESS STEEL VALVES

The push-button activated valves offers the only all stainless steel valve body that is machined out of solid bar stock, is fully serviceable through the front of the push button assembly offering access to the water control cartridge and integral water supply strainer, and with front access to the water stream height adjustment for easy maintenance without having to remove the valve. Operating pressure range of 30 to 90 psi (2.1 to 6.2 bar).

BUBBLER HEAD

Polished chrome plated brass bubbler head with integral 5/8" dia. threaded shank for vandal resistant strength, and top-down access for nozzle replacement or water line service, with .45 gpm flow rate.

CONSTRUCTION

Heavy-duty stainless steel with silver powder-coated color finish, and stainless-steel drinking fountain bowls. Modular construction allows for easy replacement or rearrangement of drinking fountain bowls and bottle filler modules.

DRAIN CLEAN-OUT

Top-down access to the drain allows the fountain to be cleaned without taking the unit apart, good for outdoor settings with drain-cloggings and or leaves.

OPTIONS

Pet Fountain: Model 3670, dog bowl attachment for 3600 series pedestal fountains.

Hose Bib: Model 3660, lockable hose bib attachment for 3600 series pedestal fountains.

Installation Aid: Model MTG.3600, mounting guide for 3600 series pedestal fountains.

Freeze-Resistant Option: Model 3612FR, ADA stainless steel freeze-resistant bottle filler and dual fountain.

For more information, visit www.hawsc.com or call (888) 640-4297.



SPECIFICATIONS

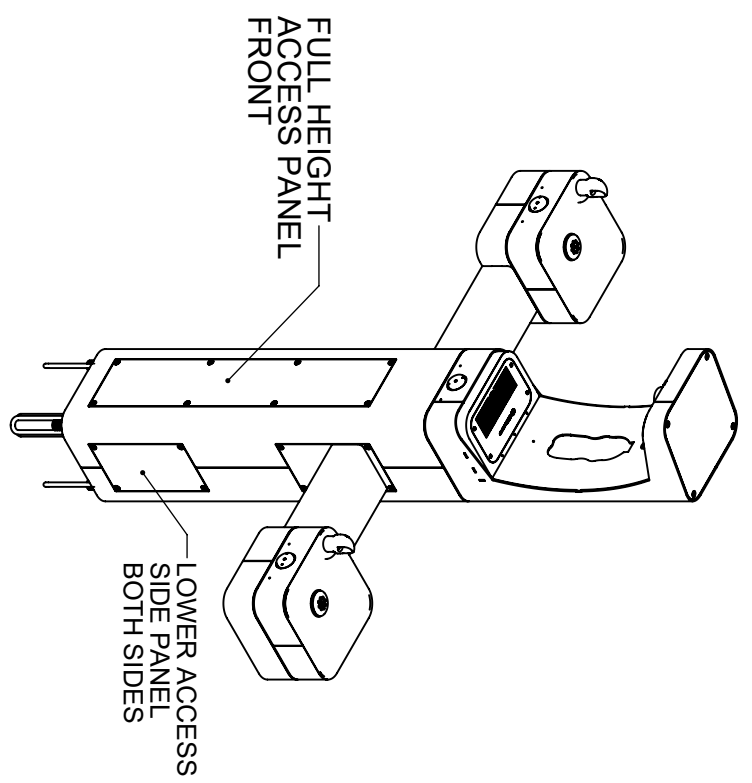
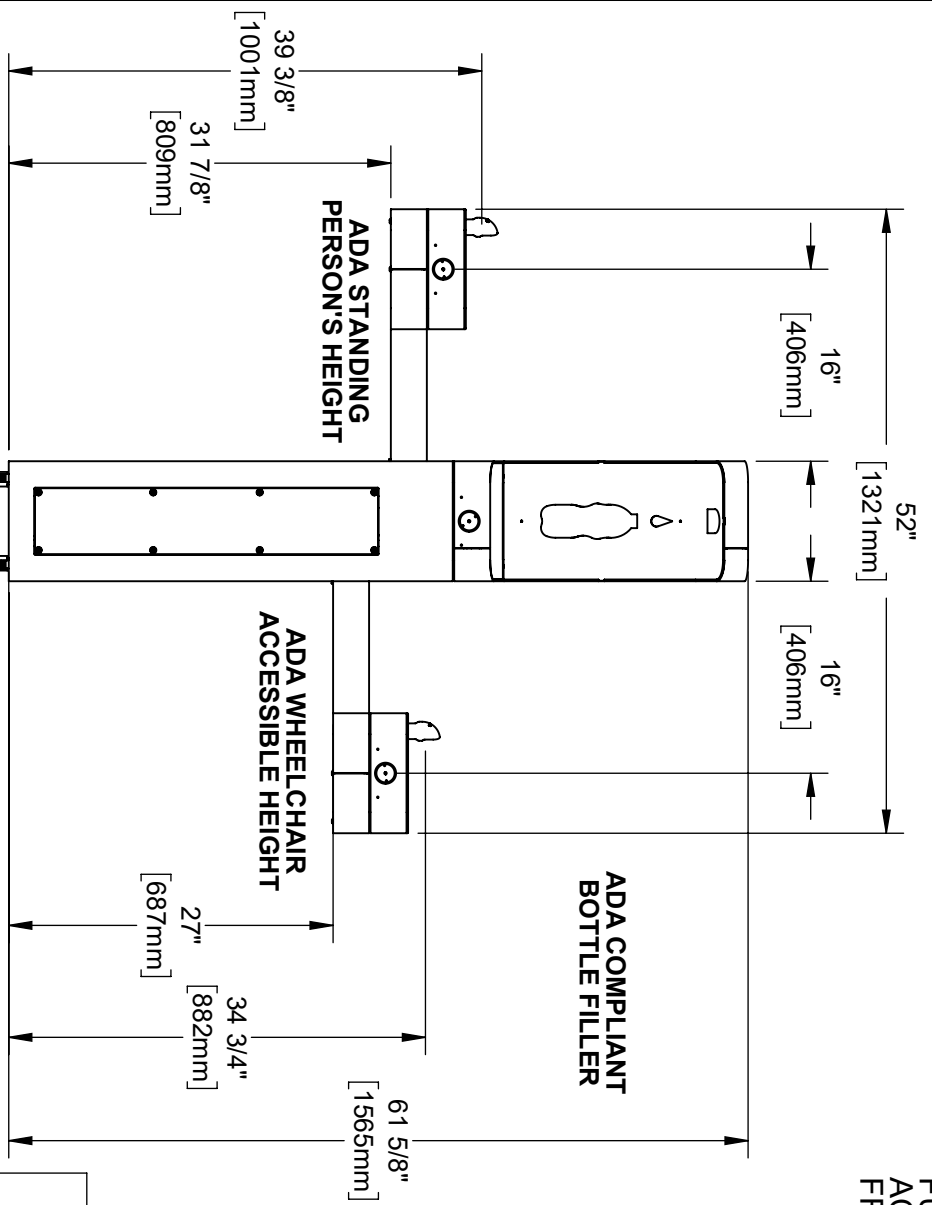
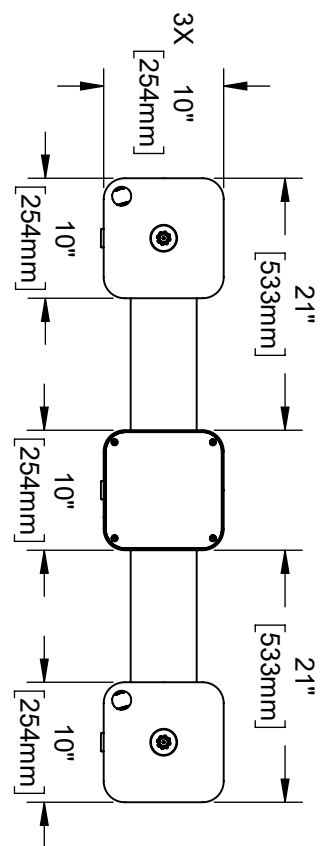
Model 3612F outdoor, ADA-compliant pedestal mounted bottle filler and high-low drinking fountain shall include a heavy-duty stainless steel pedestal with matte silver powder-coating, 6428 filter with mounting bracket, push-button operated stainless steel valves with front-accessible cartridge and flow adjustment, polished chrome-plated brass vandal-resistant shielded bubbler heads with integral 5/8" dia. threaded shank and top-down access to renewable nozzles, large-opening bottle filler with quick-fill 1 gpm flow rate, 100% lead-free waterways, polished chrome-plated vandal-resistant waste strainers with top-down clean-out access to the drain, vandal-resistant access plates, integral mounting feet, and 1-1/2" slip waste

APPLICATIONS

The 3612F offers a solution for the changing needs of outdoor settings as well as outdoor wheel chair access, appealing to all users through accessibility and safety. This outdoor fountain is ideal in areas such as parks, schools, and other outdoor areas where hydration facilities are needed. Model meets all current Federal Regulations for the disabled including those in the Americans with Disabilities Act. Haws manufactures drinking fountains, faucets and electric water coolers to be lead-free by all known definitions including NSF/ANSI/CAN 61-Section 9, NSF/ANSI/CAN 372, California Proposition 65, and the Federal Safe Drinking Water Act. Product is compliant to California Health and Safety Code 116875 (AB 1953-2006), and NSF/ANSI/CAN 61: Q ≤ 1.

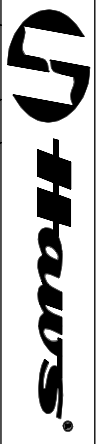


- NOTES:
 1. WHEN INSTALLING THIS UNIT, LOCAL, STATE, OR FEDERAL CODES SHOULD BE ADHERED TO. INSTALL A TRAP IN THE WASTE LINE AND A SCREWDRIIVER STOP IN THE SUPPLY LINE IF REQUIRED.



HAWS MODEL 3612/3612F IS FULLY COMPLIANT WITH THE FEDERAL 2010 AMERICANS WITH DISABILITIES ACT (ADA) ACCESSIBILITY REQUIREMENTS WHEN INSTALLED AS SHOWN HERE AND WHEN INSTALLED WITH PROPER CLEARANCES AND ACCESS. LOCATE THE PEDESTAL BASE WITH AT LEAST 8" OF CLEAR UNOBSTRUCTED HARDSCAPE BEHIND THE PEDESTAL. IT IS THE RESPONSIBILITY OF THE INSTALLER TO ADHERE TO LOCAL, STATE, AND FEDERAL CODES WHEN INSTALLING THIS UNIT. DISTANCE TO SURROUNDING OBJECTS, APPROACH SURFACES, ETC. SHOULD BE CONSIDERED.

CONCRETE ANCHORS INCLUDED. RE-USABLE TEMPLATE MODEL MTG.3600 AVAILABLE, SOLD SEPARATELY.

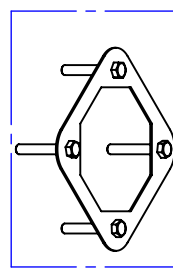


1455 KLEPPE LANE
 SPARKS, NEVADA, 89431
 (775) 359-4712 FAX (775) 359-7424
 E-MAIL: HAWS@HAWSCCO.COM
 WEBSITE: WWW.HAWSCCO.COM

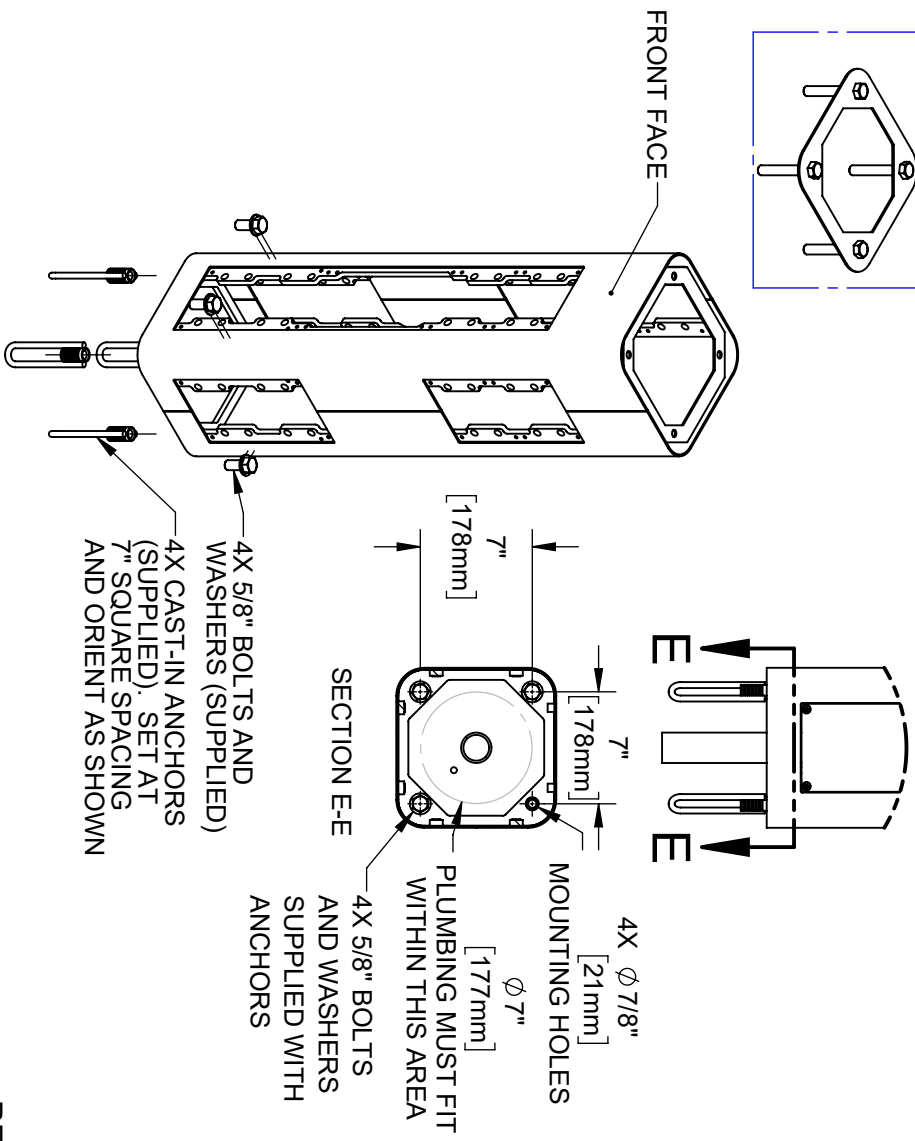
ENCL	REV/ ECL	BY:	MODEL(S)	
5686	5719	DP	3612 & 3612F	
DRAWN	DATE	CHKD		
BY	BY	BY		
APPROVED	DATE	SCALE	1/24	DRAWING TYPE: INSTALLATION
FV	09/16/21	SCALE	1/24	SIZE: A
				SHEET 1 OF 6
				REVISION: 2
				PART NUMBER: 0580001180.D

MODEL MTG-3600

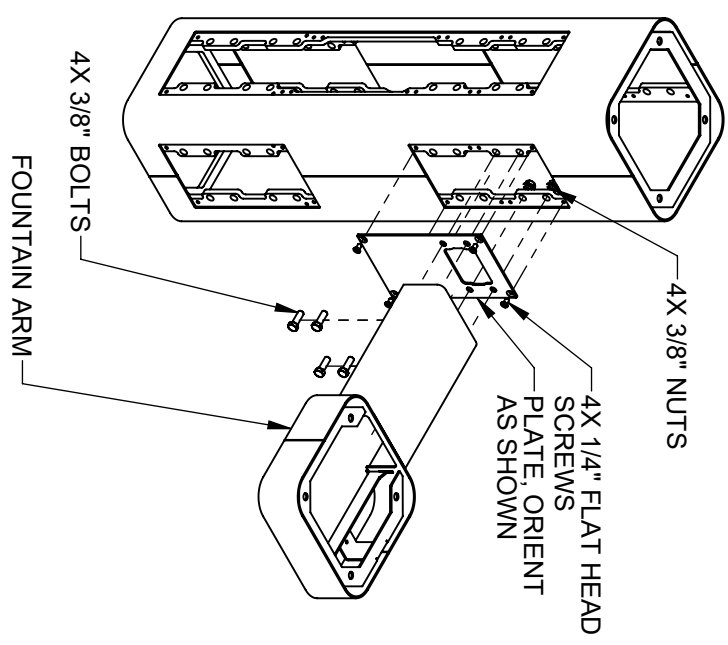
(OPTIONAL)
 TEMPLATE FOR
 SPACING ANCHORS
 DURING CONCRETE
 POUR



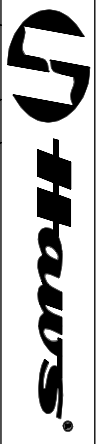
INSTALLATION INSTRUCTIONS



STEP 1
 MOUNT PEDESTAL TO CONCRETE SLAB IN DESIRED ORIENTATION. SLAB TO BE 30" MINIMUM SQUARE AND 6" MINIMUM THICK (BY OTHERS). PLUMBING CAST IN CONCRETE MUST FIT IN 7" DIAMETER AREA CENTERED UNDER PEDESTAL LOCATION.



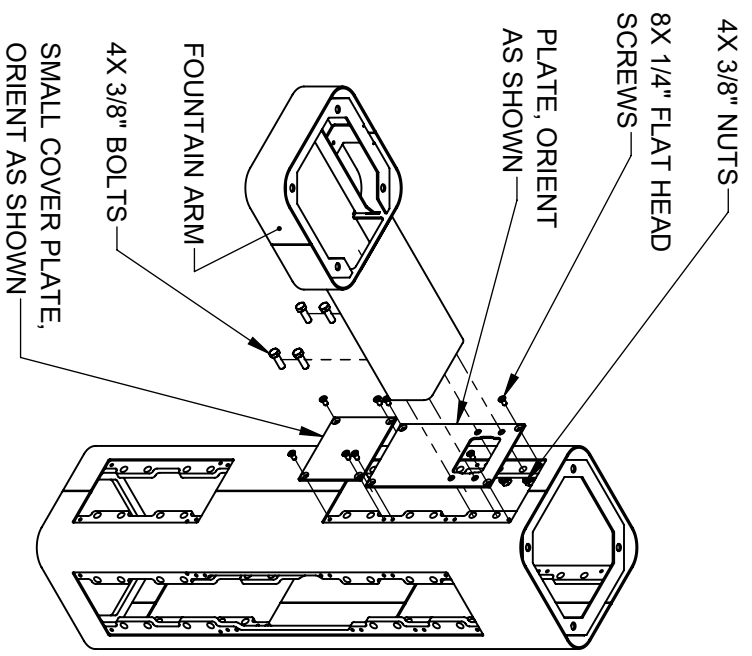
STEP 2
 REMOVE BOTTOM COVER PLATES FROM ARMS BY REMOVING 3 1/4" BUTTON HEAD SCREWS. INSTALL ONE FOUNTAIN ARM ON RIGHT SIDE AS SHOWN. USE 1/4" FLAT HEAD SCREWS (SUPPLIED) TO INSTALL PLATE. USE 3/8" BOLTS AND NUTS (SUPPLIED) AND TORQUE TO 18 FT-LBS TO INSTALL ARM.



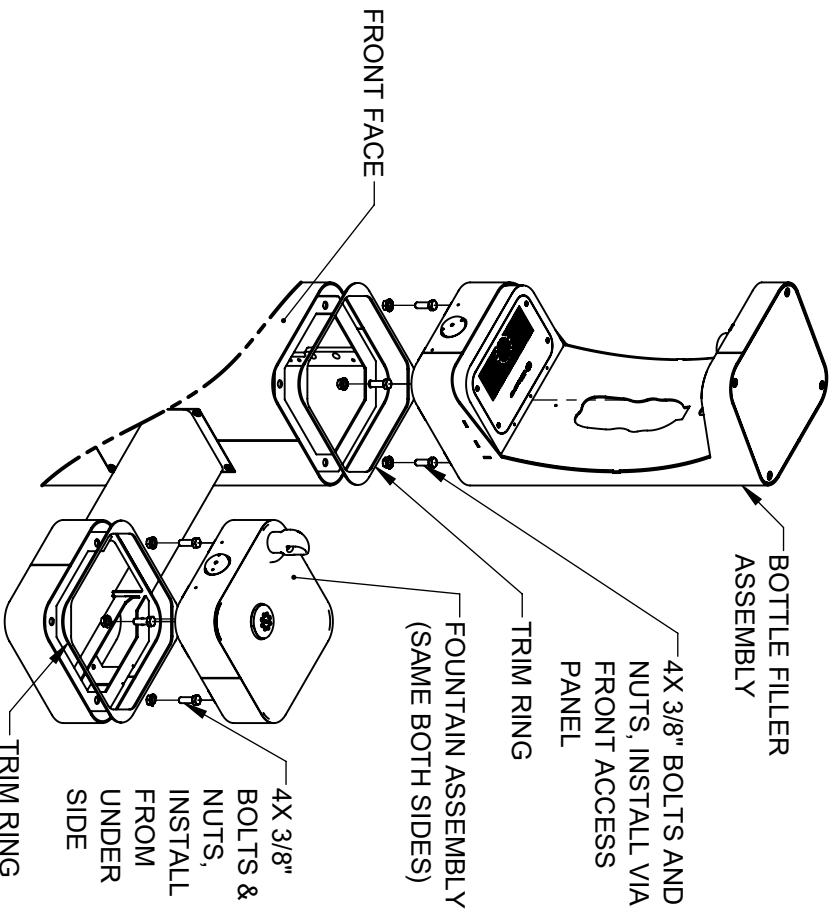
1455 KLEPPE LANE
 SPARKS, NEVADA, 89431
 (775) 359-4712 FAX (775) 359-7424
 E-MAIL: HAWS@HAWS.CO.COM
 WEBSITE: WWW.HAWS.CO.COM

ECN: 5586	REV/ECN: BY: DP	MODEL(S)	3612 & 3612F
DRAWN BY: BLM	DATE: 07/21/09		
APPROVED: FV	DATE: 09/16/21	SCALE: 1/24	DRAWING TYPE: INSTALLATION
		SIZE: A	SHEET 2 OF 6
			REVISION: 2
			PART NUMBER: 0580001180.D

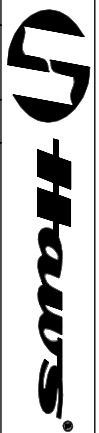
INSTALLATION INSTRUCTIONS



STEP 3
 INSTALL REMAINING ARM ON LEFT SIDE AS SHOWN. USE 1/4" FLAT HEAD SCREWS (SUPPLIED) TO INSTALL PLATES. USE 3/8" BOLTS AND NUTS (SUPPLIED) AND TORQUE TO 18 FT-LBS TO INSTALL ARM.



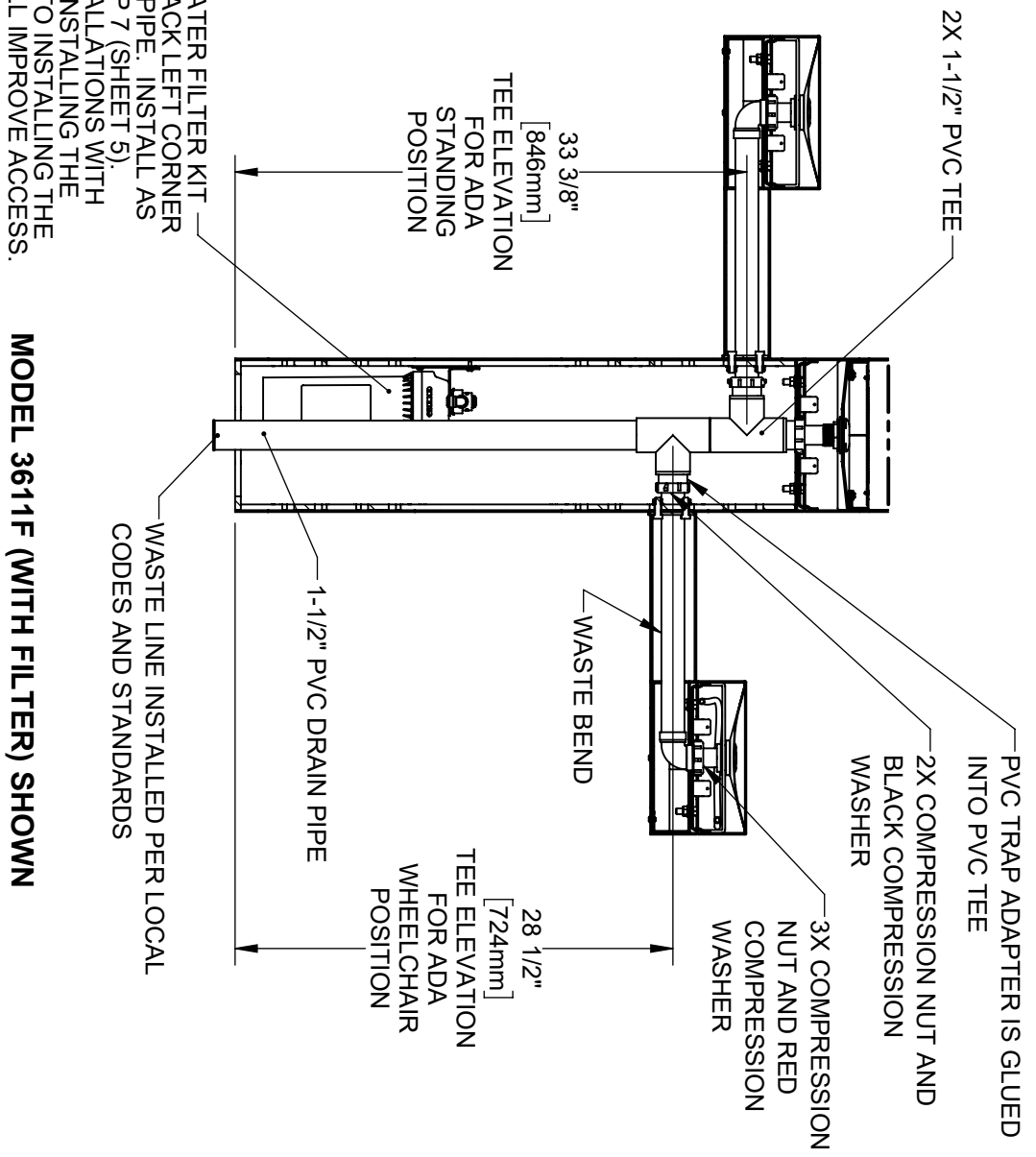
STEP 4
 PLACE SQUARE TRIM RING ON BOTTOM OF BOTTLE FILLER AND PLACE BOTTLE FILLER ON TOP OF PEDESTAL, FACING THE FRONT. USE 3/8" BOLTS AND NUTS VIA THE FRONT ACCESS PANEL TO SECURE BOTTLE FILLER TO PEDESTAL. PLACE TRIM RING AND INSTALL FOUNTAINS ON ARMS AS SHOWN. CAREFULLY CENTER BOTTLE FILLER, FOUNTAIN, AND TRIM RINGS, THEN TORQUE BOLTS/NUTS TO 18 FT-LBS



1455 KLEPPE LANE
 SPARKS, NEVADA, 89431
 (775) 359-4712 FAX (775) 359-7424
 E-MAIL: HAWS@HAWS.CO.COM
 WEBSITE: WWW.HAWS.CO.COM

ECN: 5586	REV/ECN: BY: DP	MODEL(S)	3612 & 3612F
DRAWN: BLD	DATE: 5/7/9	CHKD: BLM	
APPROVED: FV	DATE: 09/16/21	SCALE: 1/24	DRAWING TYPE: INSTALLATION
		SIZE: A	SHEET 3 OF 6
			REVISION: 2
			PART NUMBER: 0580001180.D

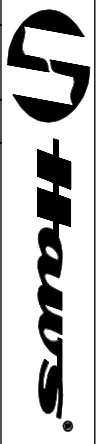
INSTALLATION INSTRUCTIONS



MODEL 3611F (WITH FILTER) SHOWN

STEP 5

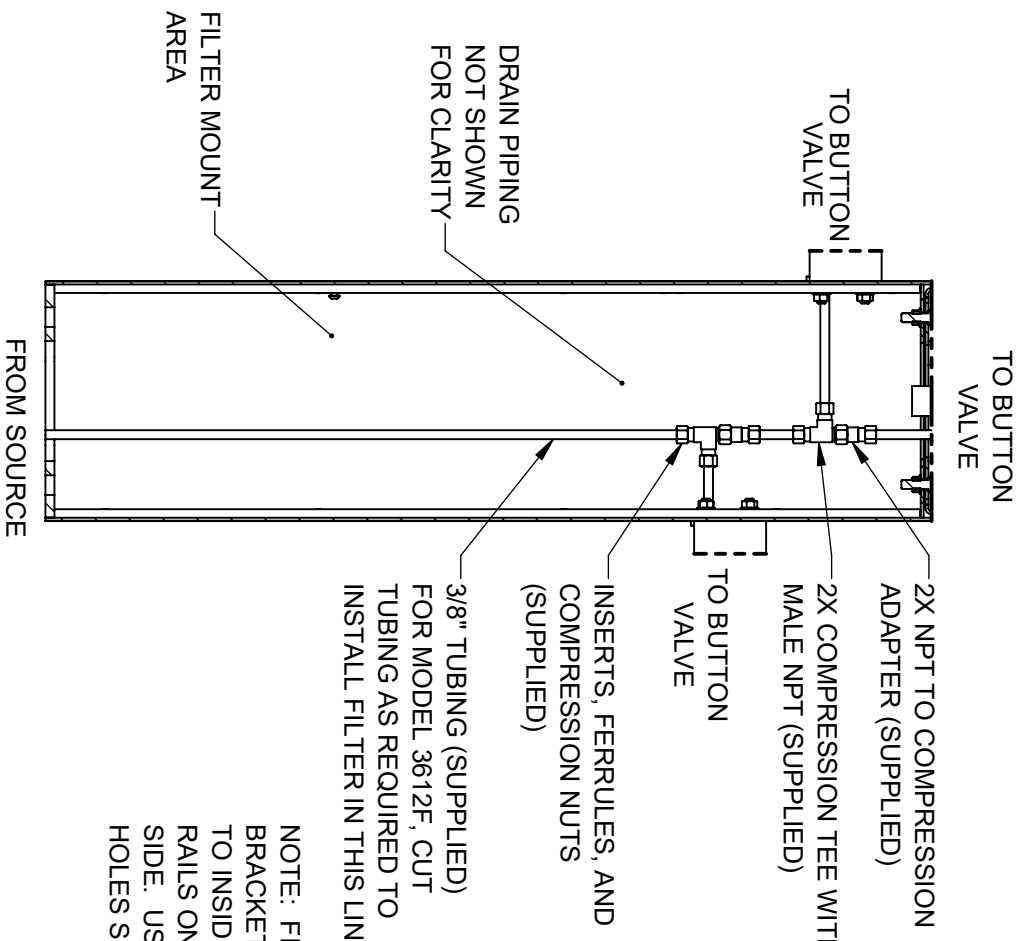
INSTALL SUPPLIED DRAIN COMPONENTS AS SHOWN. RED COMPRESSION WASHERS ADAPT FROM 1-1/4" TO 1-1/2" AT EACH DRAIN TAIL PIECE. BLACK COMPRESSION WASHERS ARE USED IN TRAP ADAPTERS AT TEES. USE APPROPRIATE PVC CEMENT TO MAKE SOLVENT CEMENT CONNECTIONS. TRIM WASTE BEND AND/OR TAIL PIECE LENGTH IF REQUIRED. NOTE THAT EXTRA PARTS MAY BE INCLUDED TO FACILITATE OTHER CONFIGURATIONS OF THIS FOUNTAIN.



1455 KLEPPE LANE
SPARKS, NEVADA, 89431
(775) 359-4712 FAX (775) 359-7424
E-MAIL: HAWS@HAWSCO.COM
WEBSITE: WWW.HAWSCO.COM

ENR	REV/ENR	BY	MODEL(S)	1455 KLEPPE LANE
5686	5719	DP	3612 & 3612F	SPARKS, NEVADA, 89431
DRAWN	DATE	CHKD		(775) 359-4712 FAX (775) 359-7424
1/12/21	1/12/21	BM		E-MAIL: HAWS@HAWSCO.COM
APPROVED	DATE	SCALE	DRAWING TYPE	WEBSITE: WWW.HAWSCO.COM
FV	09/16/21	1/24	INSTALLATION	PART NUMBER
				0580001180.D
				REVISION
				2

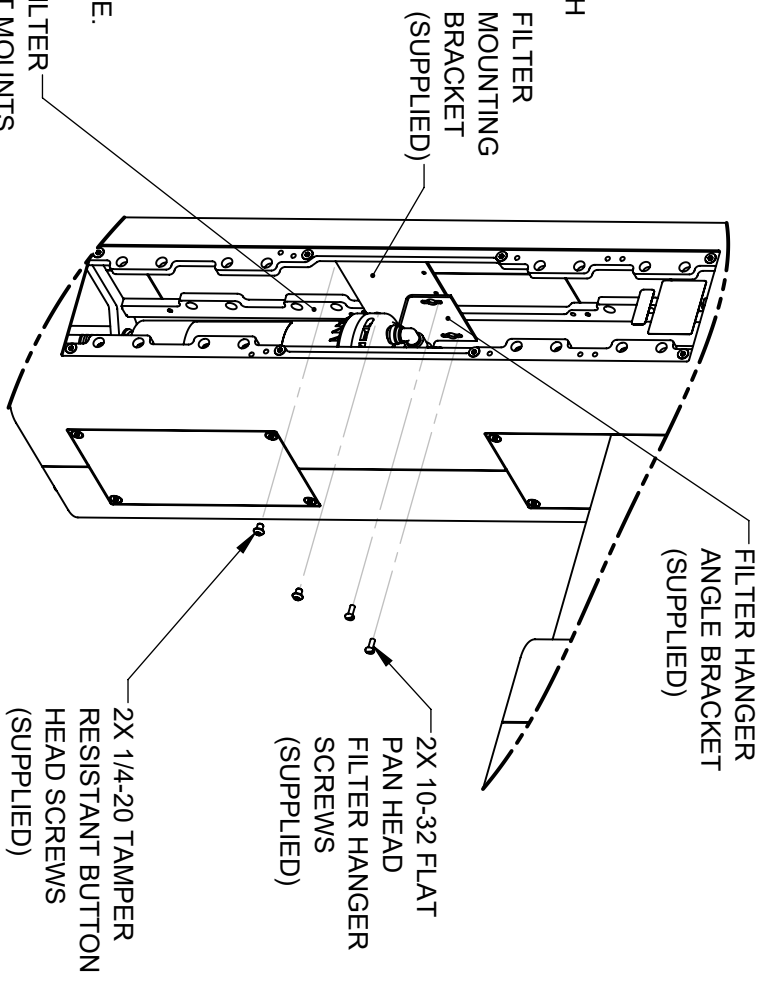
INSTALLATION INSTRUCTIONS



3612 SUPPLY PLUMBING

STEP 6

COMPLETE WATER SUPPLY PLUMBING AS SHOWN. OPEN SUPPLY VALVE(S) AND TEST. REPLACE ARM BOTTOM PLATES AND PEDESTAL ACCESS PLATES.



3612F FILTER BRACKET MOUNTING

STEP 7

INSTALL FILTER MOUNTING BRACKET (SUPPLIED WITH MODEL 6477) TO LEFT INSIDE VERTICAL RAILS USING 2 BUTTON HEAD SCREWS AS INDICATED ABOVE. INSTALL FILTER HEAD ON HANGER ANGLE WITH 4 SUPPLIED SELF-TAPPING SCREWS. INSTALL FILTER HANGER ANGLE BRACKET IN RIGHTMOST HOLES AS SHOWN. SEE MODEL 6477 OPERATION AND MAINTENANCE MANUAL FOR ADDITIONAL DETAILS.

© 2021 Haws Corporation - All Rights Reserved. HAW/S® and other trademarks used in these materials are the exclusive property of Haws Corporation.

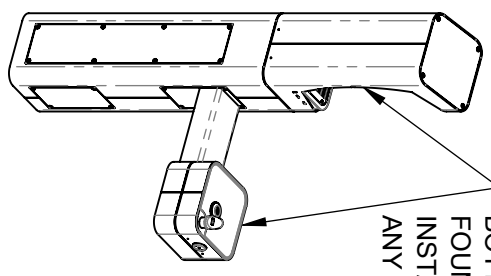
1455 KLEPPE LANE
SPARKS, NEVADA, 89431
(775) 359-4712 FAX (775) 359-7424
E-MAIL: HAW/S@HAW/SCO.COM
WEBSITE: WWW.HAW/SCO.COM

E/CN:	REV. E/CN:	BY:	MODEL(S)		
5686	5779	DJP	3612 & 3612F		
DRAWN BY:	DATE:	CHKD BY:			
APPROVED:	DATE:	BY:			
FV:	09/16/21	SCALE:	1/24	DRAWING TYPE:	INSTALLATION
				SIZE:	A
				SHEET:	5 OF 6
				REVISION:	2

NOTES ON OPTIONAL CONFIGURATIONS

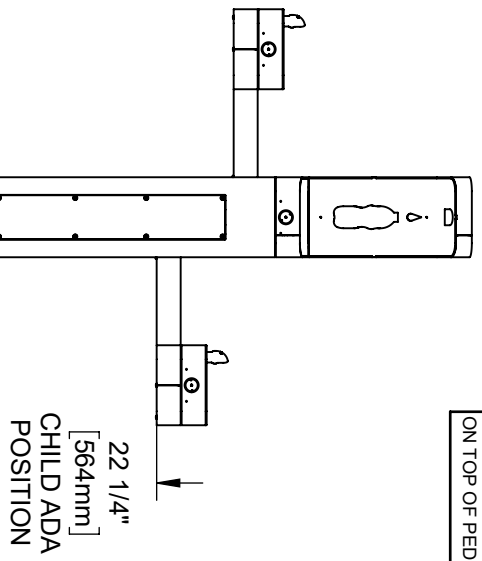
HAWS 3600/3600F SERIES OUTDOOR FOUNTAINS ARE MODULAR AND CAN BE ASSEMBLED AND CONFIGURED MANY DIFFERENT WAYS. DISPLAYED HERE ARE A FEW EXAMPLES. CONFIGURATIONS OTHER THAN THAT SHOWN IN THE INSTALLATION INSTRUCTIONS FOR THE 3612/3612F MAY AFFECT COMPLIANCE WITH ADA REGULATIONS. IT IS THE RESPONSIBILITY OF THE INSTALLER TO UNDERSTAND LOCAL, STATE, AND FEDERAL REGULATIONS AS APPLICABLE IF INSTALLING THIS FOUNTAIN IN CONFIGURATIONS OTHER THAN THAT INDICATED ON SHEET 1 (PAGE 6 OF 11).

BOTTLE FILLER AND FOUNTAINS CAN BE INSTALLED TO FACE ANY DIRECTION



ADA ARM HEIGHT POSITION OPTIONS				
	LEFT SIDE*	RIGHT SIDE*	ARM HEIGHT (LOWER EDGE)	BUBBLER NOZZLE HEIGHT
STANDING ADA	YES (STD)	NO	31-7/8 [809 mm]	39-3/8 [999 mm]**
WHEELCHAIR ADA	YES	YES (STD)	27 [687 mm]	34-5/8 [878 mm]
CHILD ADA	YES	YES	22-1/4 [566 mm]	29-7/8 [757 mm]

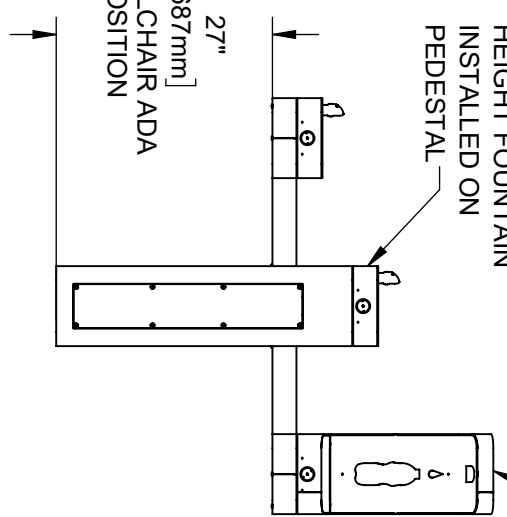
* RIGHT AND LEFT CAN BE REVERSED IF PEDESTAL IS ROTATED 180°.
 **NOZZLE HEIGHT IS 41-1/2" WHEN FOUNTAIN IS INSTALLED ON TOP OF PEDESTAL.



BOTTLE FILLER CAN BE INSTALLED ON ARMS

ADA STANDING HEIGHT FOUNTAIN INSTALLED ON PEDESTAL

27" [687mm] WHEELCHAIR ADA POSITION



1455 KLEPPE LANE
 SPARKS, NEVADA 89431
 (775) 359-4712 FAX (775) 359-7424
 E-MAIL: HAWS@HAWSCOCO.COM
 WEBSITE: WWW.HAWSCOCO.COM

E/CN: 5566	REV/E/CN: 1	BY: DP	MODEL(S): 3612 & 3612F
DRAWING NO: 5566	DATE: 07/12/07	CHKD: BLM	
APPROVED: FV	DATE: 09/16/21	SCALE: 1/24	DRAWING TYPE: INSTALLATION
		SIZE: A	SHEET 6 OF 6