



model 3611

ADA Stainless Steel Bottle Filler and Drinking Fountain

FEATURES & BENEFITS

ADA COMPLIANCE

ADA-compliant bottle filling station and dual-height high-low drinking fountain required for wheel chair use, and for the standing person.

FRONT APPROACH

Face the water stations frontward and the overall footprint needed decreases, saving 33% of the hard scape required for access compliance. This also allows the fountain to be placed with its back to within 8" inches of a wall or a fence.

BOTTLE FILLER

The ADA-compliant open design bottle filling station offers a 17" high bottle area, and open sides making this push button operated bottle filling station more accessible to users.

STAINLESS STEEL VALVES

The push-button activated valve offers the only all stainless steel valve body that is machined out of solid bar stock, is fully serviceable through the front of the push button assembly offering access to the water control cartridge and integral water supply strainer, and with front access to the water stream height adjustment for easy maintenance without having to remove the valve. Operating pressure range of 30 to 90 psi (2.1 to 6.2 bar).

BUBBLER HEAD

Polished chrome plated brass bubbler head with integral 5/8" dia. threaded shank for vandal resistant strength, and top-down access for nozzle replacement or water line service, with .45 gpm flow rate.

CONSTRUCTION

Heavy-duty stainless steel with silver powder-coated color finish, and stainless-steel drinking fountain bowl. Modular construction allows for easy replacement or rearrangement of drinking fountain bowls and bottle filler modules.

DRAIN CLEAN-OUT

Top-down access to the drain allows the fountain to be cleaned without taking the unit apart, good for outdoor settings with drain-cloggings and or leaves.



SPECIFICATIONS

Model 3611 outdoor, ADA-compliant pedestal mounted bottle filler and drinking fountain shall include a heavy-duty stainless steel pedestal with matte silver powder-coating, push-button operated stainless steel valves with front-accessible cartridge and flow adjustment, polished chrome-plated brass vandal-resistant shielded bubbler head with integral 5/8" dia. threaded shank and top-down access to a renewable nozzle, large-opening bottle filler with quick-fill 1 gpm flow rate, 100% lead-free waterways, polished chrome-plated vandal-resistant waste strainer with top-down clean-out access to the drain, vandal-resistant access plates, integral mounting feet, and 1-1/2" slip waste

APPLICATIONS

The 3611 offers a solution for the changing needs of outdoor settings as well as outdoor wheelchair access, appealing to all users through accessibility and safety. This outdoor fountain is ideal in areas such as parks, schools, and other outdoor areas where hydration facilities are needed. Model meets all current Federal Regulations for the disabled including those in the Americans with Disabilities Act, and complies with Prop 65. Certified by CSA to NSF/ANSI 61, section 9 and NSF/ANSI 372; and was evaluated to be compliant to US and Canada Plumbing Codes including Uniform Plumbing Code (UPC), International Plumbing Code (IPC) and National Plumbing Code of Canada (NPC).

OPTIONS

Pet Fountain: Model 3670, dog bowl attachment for 3600 series pedestal fountains.

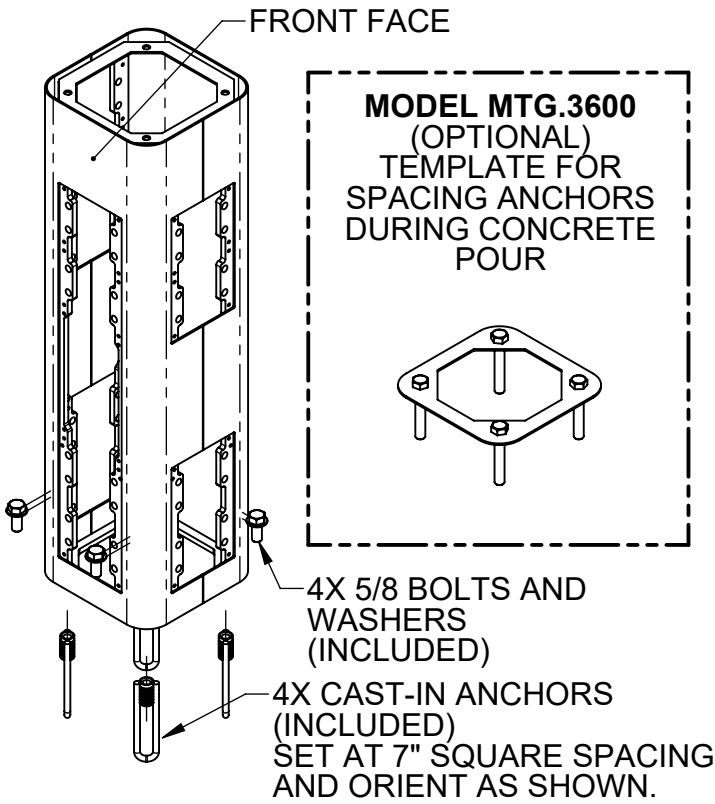
Hose Bib: Model 3660, lockable hose bib attachment for 3600 series pedestal fountains.

Installation Aid: Model MTG.3600, mounting plate for 3600 series pedestals.

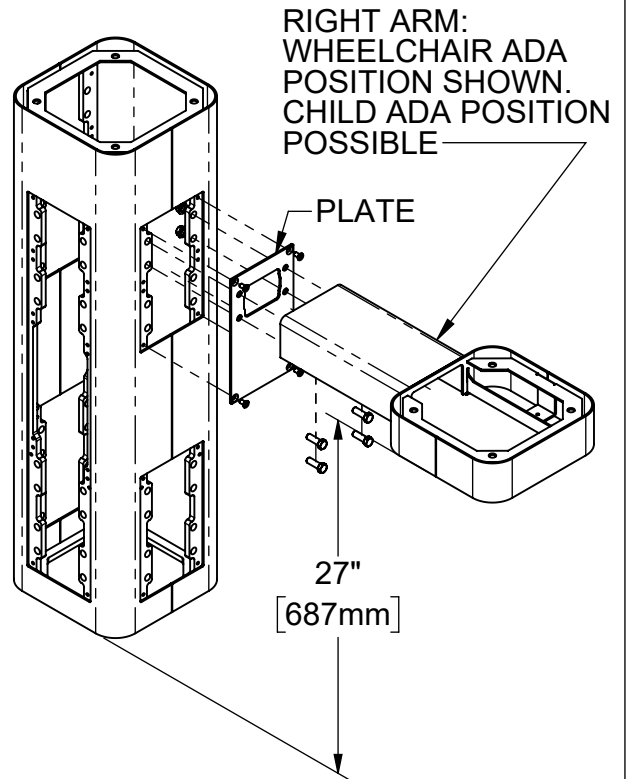
Freeze-Resistant Option: Model 3611FR, ADA stainless steel freeze-resistant bottle filler and drinking fountain.

For more information, visit www.hawsc.com or call (888) 640-4297.

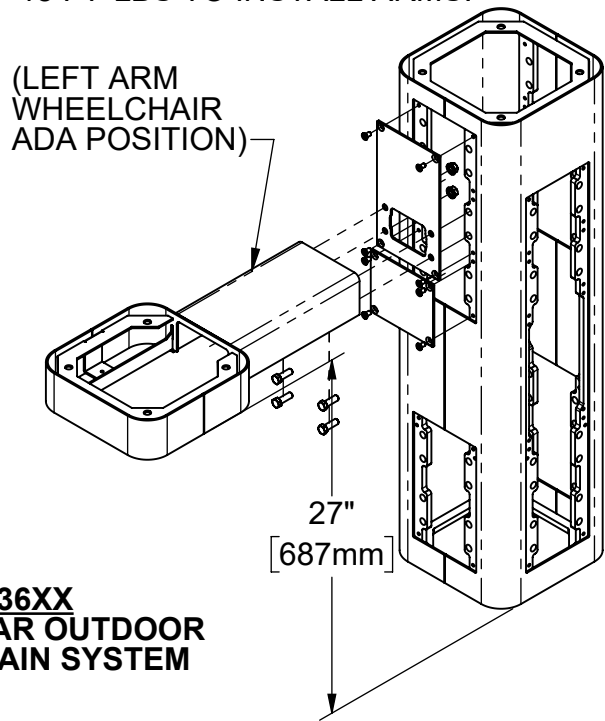
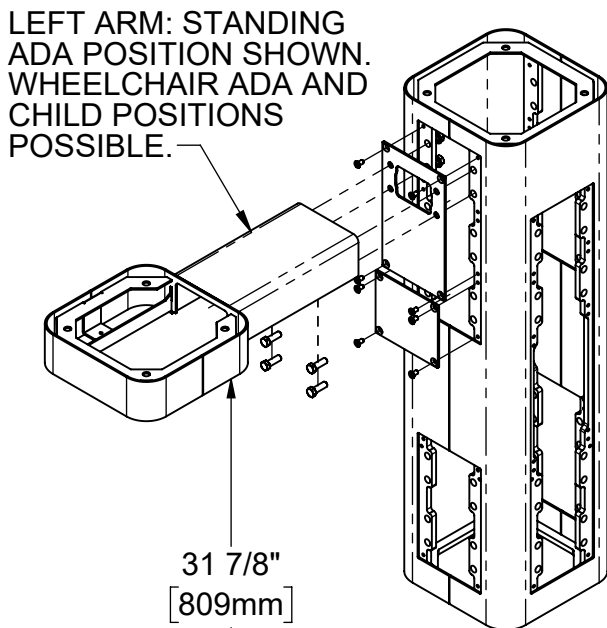




STEP 1: MOUNT PEDESTAL TO CONCRETE SLAB IN DESIRED ORIENTATION



STEP 2: INSTALL SIDE ARM(S) AND PLATES AS APPLICABLE. ROTATE OR RELOCATE THE PLATES AS REQUIRED TO ESTABLISH DESIRED ARM/BOWL HEIGHT. USE THE 1/4" FLAT HEAD SCREWS TO INSTALL PLATES. USE 3/8" BOLTS AND NUTS AND TORQUE TO 18 FT*LBS TO INSTALL ARMS.

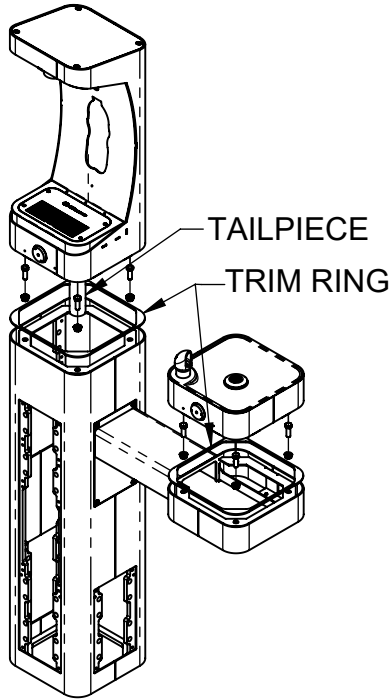


36XX MODULAR OUTDOOR FOUNTAIN SYSTEM

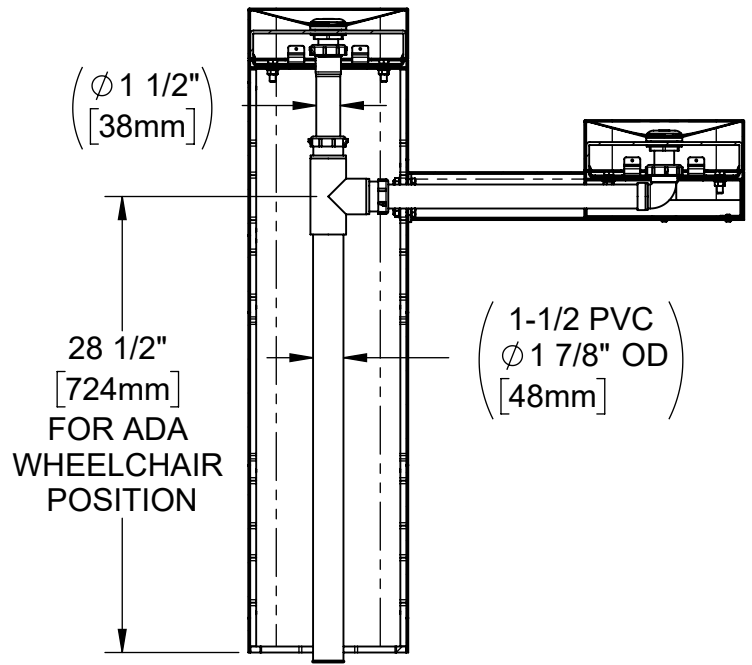


1455 KLEPPE LANE
SPARKS, NEVADA 89431
(775) 359-4712 FAX (775) 359-7424
E-MAIL: HAWS@HAWSO.COM
WEBSITE: WWW.HAWSO.COM

ECN: 5543	REV. ECN: 5636	BY:	MODEL(S)	PART NUMBER
DRAWN: DHP	DATE: 6/11/20	CHKD: FV	36XX	0510000704.D
APPROVED: FV	DATE: 12/23/20	SCALE: 1:12	DRAWING TYPE: INSTALLATION	REVISION 6
			SIZE: A	SHEET 1 OF 8

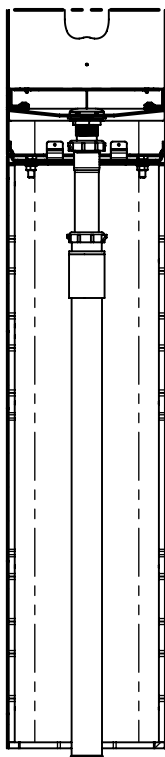


STEP 3: MOUNT BOTTLE FILLER AND BOWLS, AS APPLICABLE. ENSURE THAT PARTS ARE CENTERED AND USE INCLUDED TRIM RINGS. USE 3/8" BOLTS AND NUTS AND TORQUE TO 18 FT*LBS. INCLUDE APPROPRIATE LENGTH TAILPIECE AT THIS STEP.

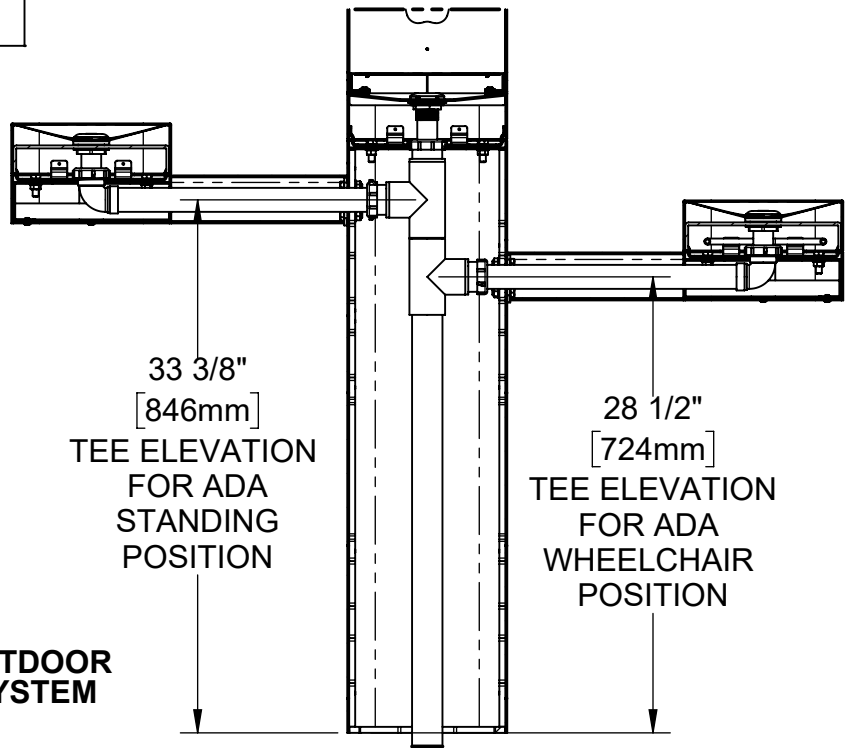


3602/3602FR AND 3611/3611FR WASTE PLUMBING

STEP 4: INSTALL REMAINING DRAIN COMPONENTS. USE APPROPRIATE PVC CEMENT TO MAKE SOLVENT CEMENT CONNECTIONS. TRIM WASTE BEND AND TAILPIECE LENGTH IF REQUIRED.



3610/3610FR WASTE PLUMBING

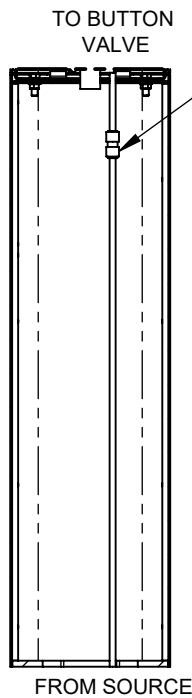


3612/3612FR WASTE PLUMBING

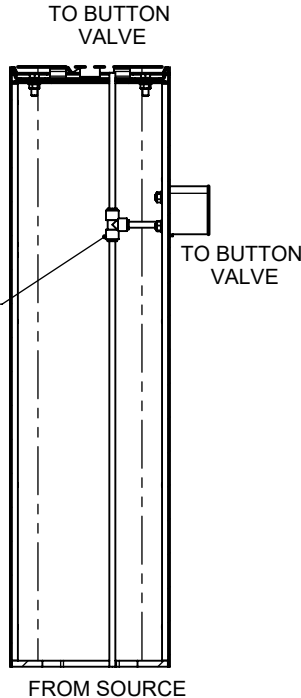
**36XX
MODULAR OUTDOOR
FOUNTAIN SYSTEM**

		1455 KLEPPE LANE SPARKS, NEVADA 89431 (775) 359-4712 FAX (775) 359-7424 E-MAIL: HAWS@HAWS.CO.COM WEBSITE: WWW.HAWS.CO.COM	
		ECN: 5543 DRAWN: DHP APPROVED: FV	REV. ECN: 5636 DATE: 6/11/20 DATE: 12/23/20
PART NUMBER 0510000704.D			REVISION 6
SCALE: 1:16		DRAWING TYPE: INSTALLATION	SIZE: A
SHEET 2 OF 8			

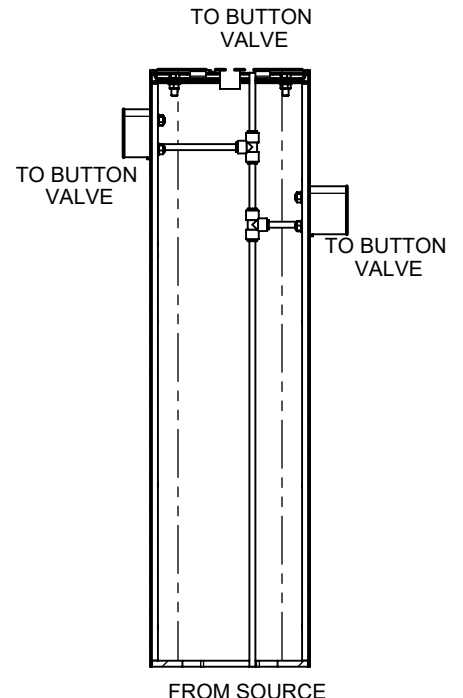
STEP 5: COMPLETE WATER SUPPLY PLUMBING. NOTE PLUMBING DIFFERENCES BETWEEN FR (FREEZE RESISTANT) AND NON-FR MODELS. REFER TO BURY VALVE OPERATION AND MAINTENANCE MANUAL FOR ADDITIONAL INFORMATION WHEN INSTALLING FREEZE RESISTANT MODELS.



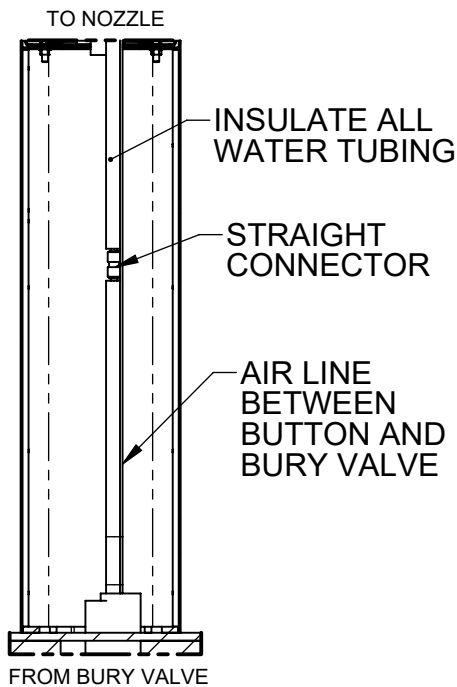
3610



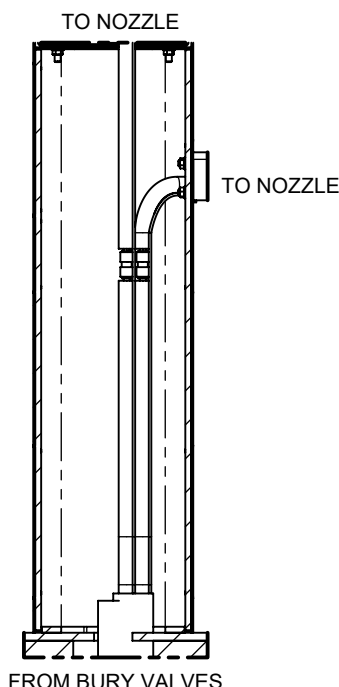
3602 AND 3611



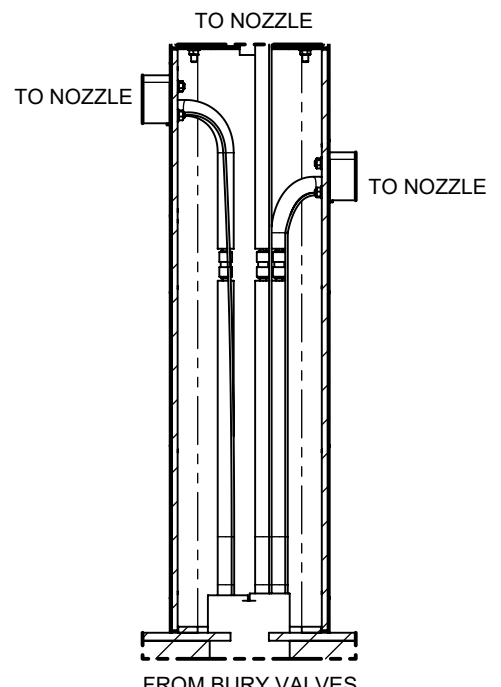
3612



3610FR



3602FR AND 3611FR



3612FR

STEP 6: OPEN SUPPLY VALVE(S) AND TEST. REINSTALL ALL COVER PLATES.

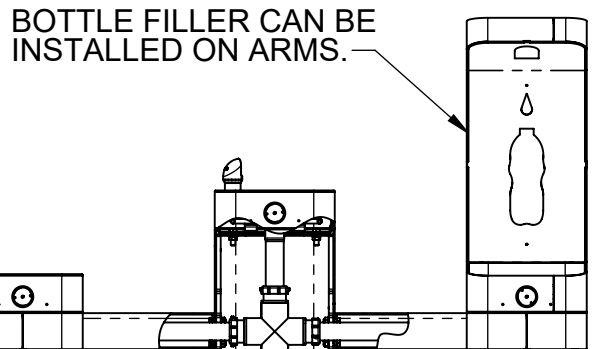
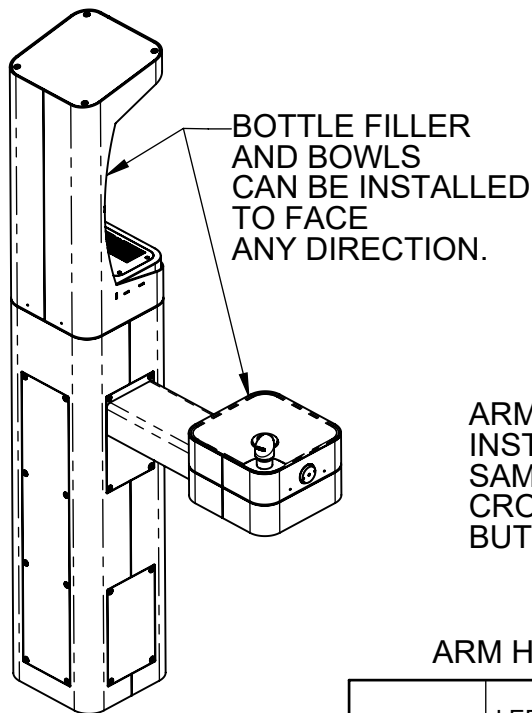
**36XX
MODULAR OUTDOOR
FOUNTAIN SYSTEM**



1455 KLEPPE LANE
SPARKS, NEVADA 89431
(775) 359-4712 FAX (775) 359-7424
E-MAIL: HAWS@HAWS.CO.COM
WEBSITE: WWW.HAWS.CO.COM

ECN: 5543	REV. ECN: 5636	BY:	MODEL(S)	PART NUMBER
DRAWN: DHP	DATE: 6/11/20	CHKD: FV	36XX	0510000704.D
APPROVED: FV	DATE: 12/23/20	SCALE: 1:32	DRAWING TYPE: INSTALLATION	REVISION 6
			SIZE: A	SHEET 3 OF 8

NOTE ON OPTIONAL CONFIGURATIONS: HAWS 3600 SERIES OUTDOOR FOUNTAINS ARE MODULAR AND CAN BE ASSEMBLED OR RECONFIGURED MANY DIFFERENT WAYS. DISPLAYED HERE ARE JUST SEVERAL EXAMPLES OF WHAT IS POSSIBLE. CONTACT HAWS CUSTOMER SUPPORT IF THERE ARE QUESTIONS ON THE MODULAR CAPABILITY OR FOR SPECIAL MODEL REQUESTS.



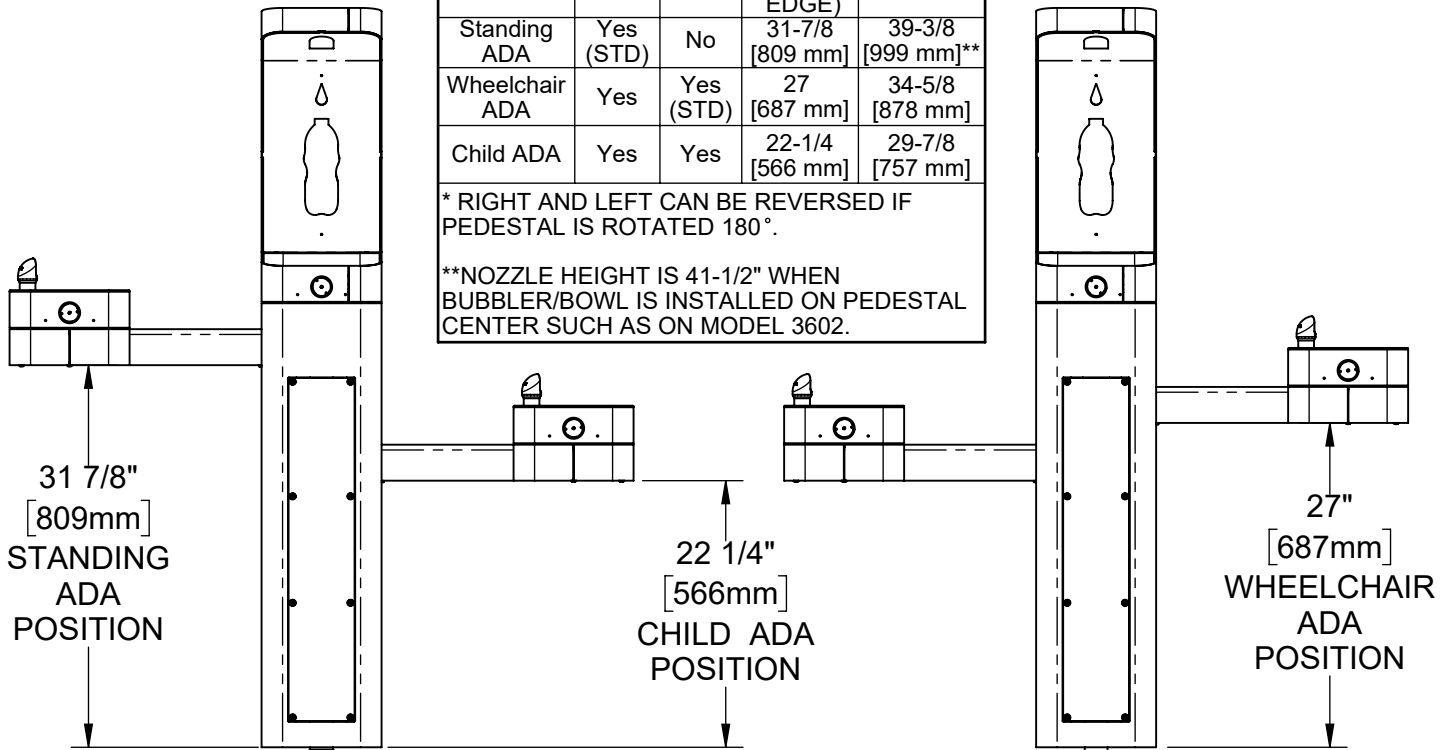
ARMS CAN BE INSTALLED AT THE SAME HEIGHT (PVC CROSS IS REQUIRED BUT NOT SUPPLIED)

ARM HEIGHT POSITIONS

	LEFT SIDE*	RIGHT SIDE*	ARM HEIGHT (LOWER EDGE)	BUBBLER NOZZLE HEIGHT
Standing ADA	Yes (STD)	No	31-7/8 [809 mm]	39-3/8 [999 mm]**
Wheelchair ADA	Yes	Yes (STD)	27 [687 mm]	34-5/8 [878 mm]
Child ADA	Yes	Yes	22-1/4 [566 mm]	29-7/8 [757 mm]

* RIGHT AND LEFT CAN BE REVERSED IF PEDESTAL IS ROTATED 180°.

**NOZZLE HEIGHT IS 41-1/2" WHEN BUBBLER/BOWL IS INSTALLED ON PEDESTAL CENTER SUCH AS ON MODEL 3602.



**36XX
MODULAR OUTDOOR
FOUNTAIN SYSTEM**

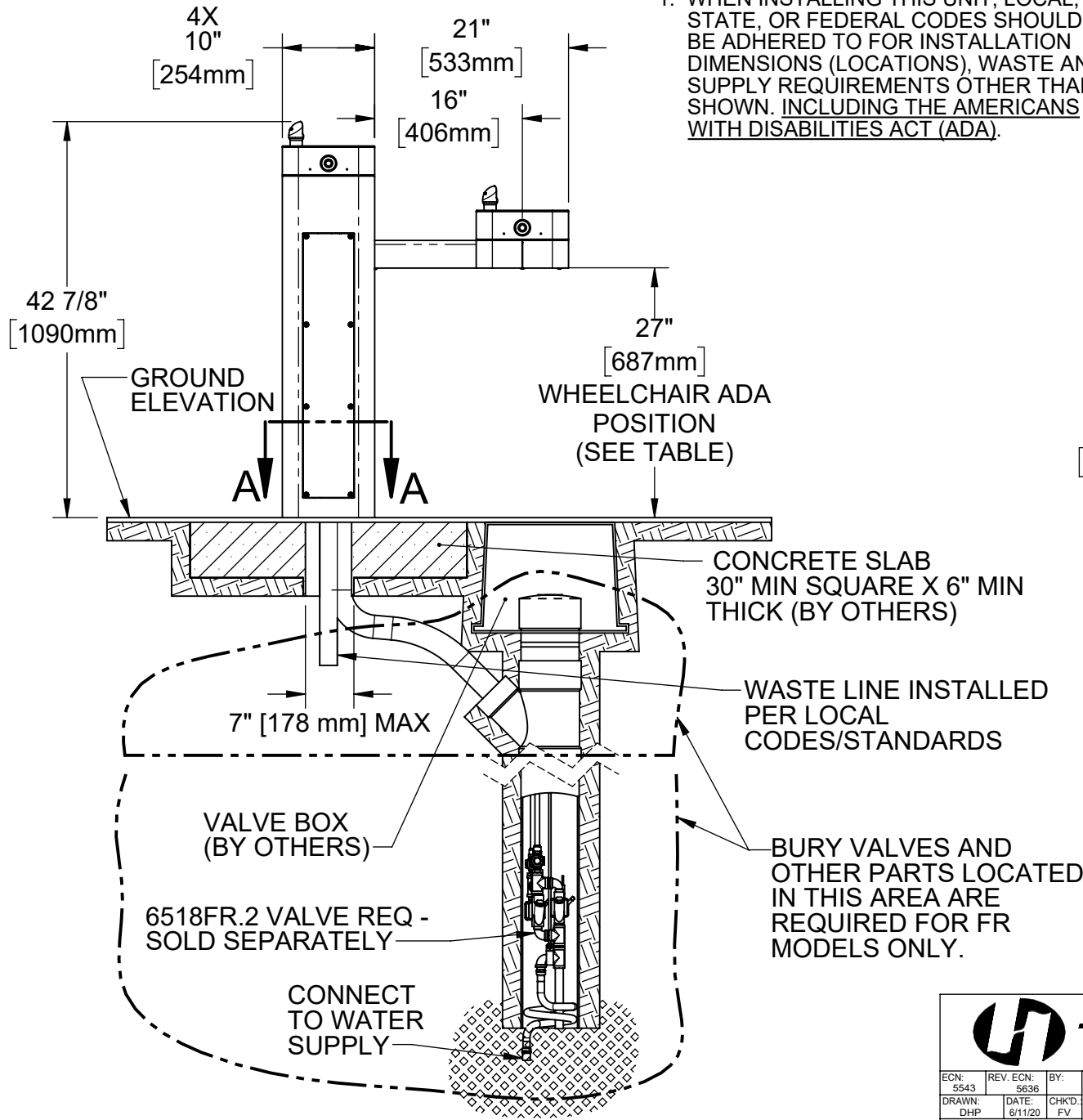


1455 KLEPPE LANE
SPARKS, NEVADA 89431
(775) 359-4712 FAX (775) 359-7424
E-MAIL: HAWS@HAWS.CO.COM
WEBSITE: WWW.HAWS.CO.COM

ECN: 5543	REV. ECN: 5636	BY:	MODEL(S)	36XX	PART NUMBER
DRAWN: DHP	DATE: 6/11/20	CHKD: FV			0510000704.D
APPROVED: FV	DATE: 12/23/20	SCALE: 1:16	DRAWING TYPE: PARTS BREAKDOWN	SIZE: A	REVISION
					6
					SHEET 4 OF 8

NOTE:

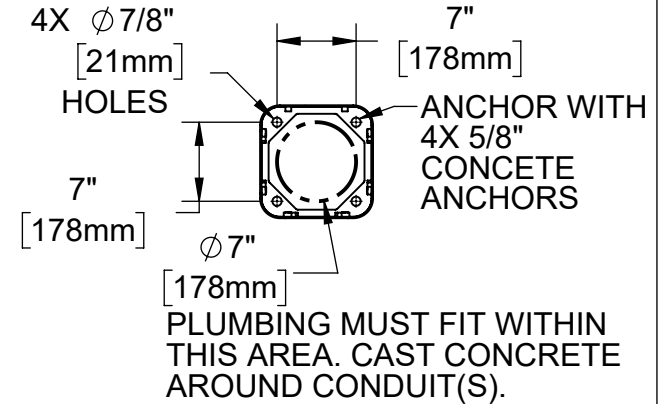
1. WHEN INSTALLING THIS UNIT, LOCAL, STATE, OR FEDERAL CODES SHOULD BE ADHERED TO FOR INSTALLATION DIMENSIONS (LOCATIONS), WASTE AND SUPPLY REQUIREMENTS OTHER THAN SHOWN. INCLUDING THE AMERICANS WITH DISABILITIES ACT (ADA).



ARM HEIGHT POSITION OPTIONS				
	LEFT SIDE*	RIGHT SIDE*	ARM HEIGHT (LOWER EDGE)	BUBBLER NOZZLE HEIGHT
Standing ADA	Yes (STD)	No	31-7/8 [809 mm]	39-3/8 [999 mm]**
Wheelchair ADA	Yes	Yes (STD)	27 [687 mm]	34-5/8 [878 mm]
Child ADA	Yes	Yes	22-1/4 [566 mm]	29-7/8 [757 mm]

* RIGHT AND LEFT CAN BE REVERSED IF PEDESTAL IS ROTATED 180°.

**NOZZLE HEIGHT IS 41-1/2" WHEN BUBBLER/BOWL IS INSTALLED ON PEDESTAL SUCH AS ON MODEL 3602.



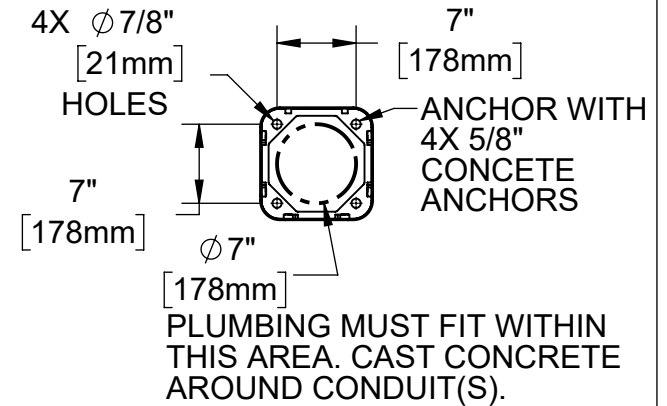
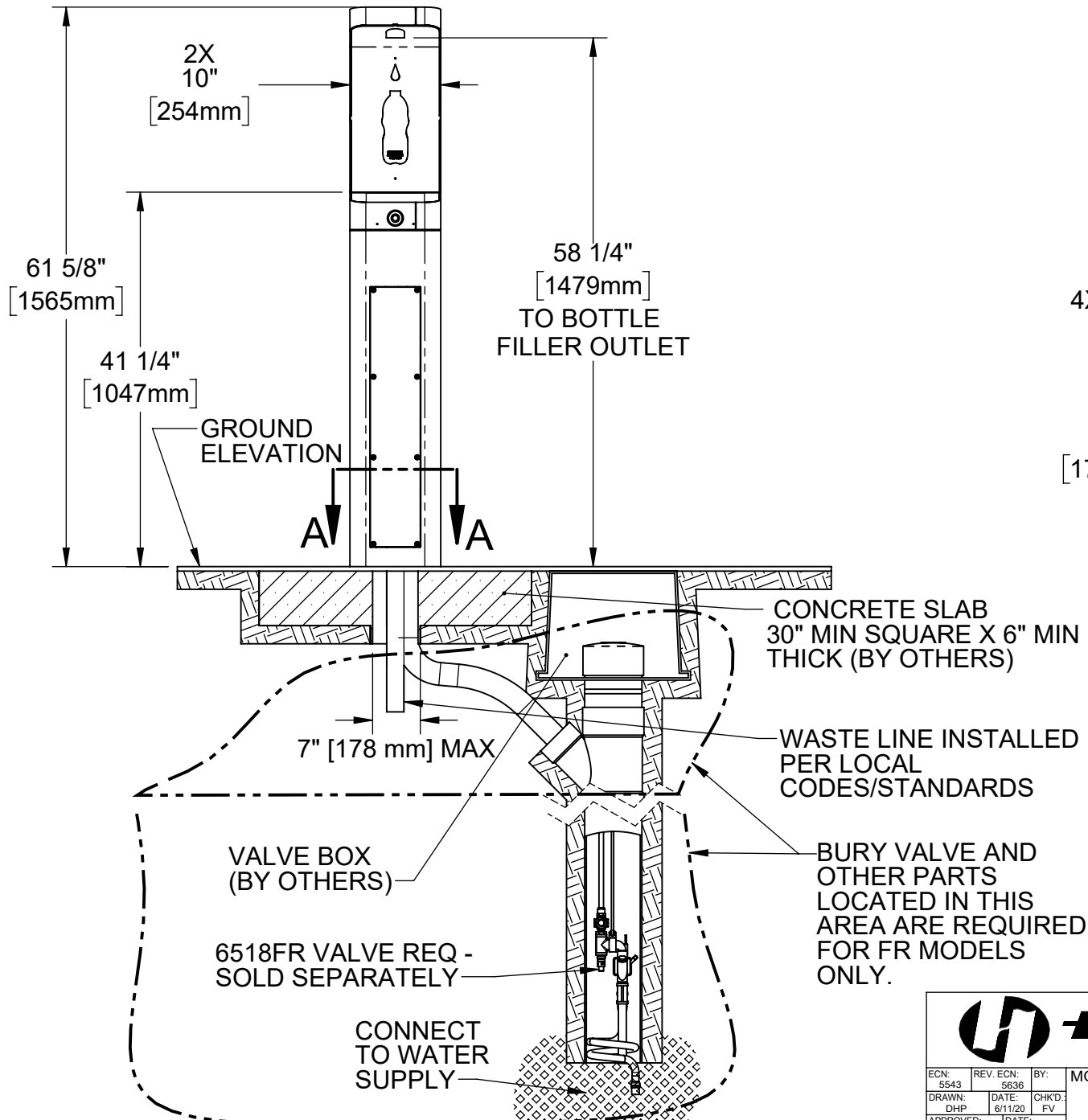
SECTION A-A

**36XX
MODULAR OUTDOOR
FOUNTAIN SYSTEM**

		1455 KLEPPE LANE SPARKS, NEVADA 89431 (775) 359-4712 FAX (775) 359-7424 E-MAIL: HAWS@HAWS.CO.COM WEBSITE: WWW.HAWS.CO.COM	
		ECN: 5543 REV. ECN: 5636 DRAWN: DHP DATE: 6/11/20 APPROVED: FV DATE: 12/23/20	BY: [blank] MODEL(S): 36XX SCALE: 1:24 DRAWING TYPE: INSTALLATION

NOTE:

1. WHEN INSTALLING THIS UNIT, LOCAL, STATE, OR FEDERAL CODES SHOULD BE ADHERED TO FOR INSTALLATION DIMENSIONS (LOCATIONS), WASTE AND SUPPLY REQUIREMENTS OTHER THAN SHOWN. INCLUDING THE AMERICANS WITH DISABILITIES ACT (ADA).

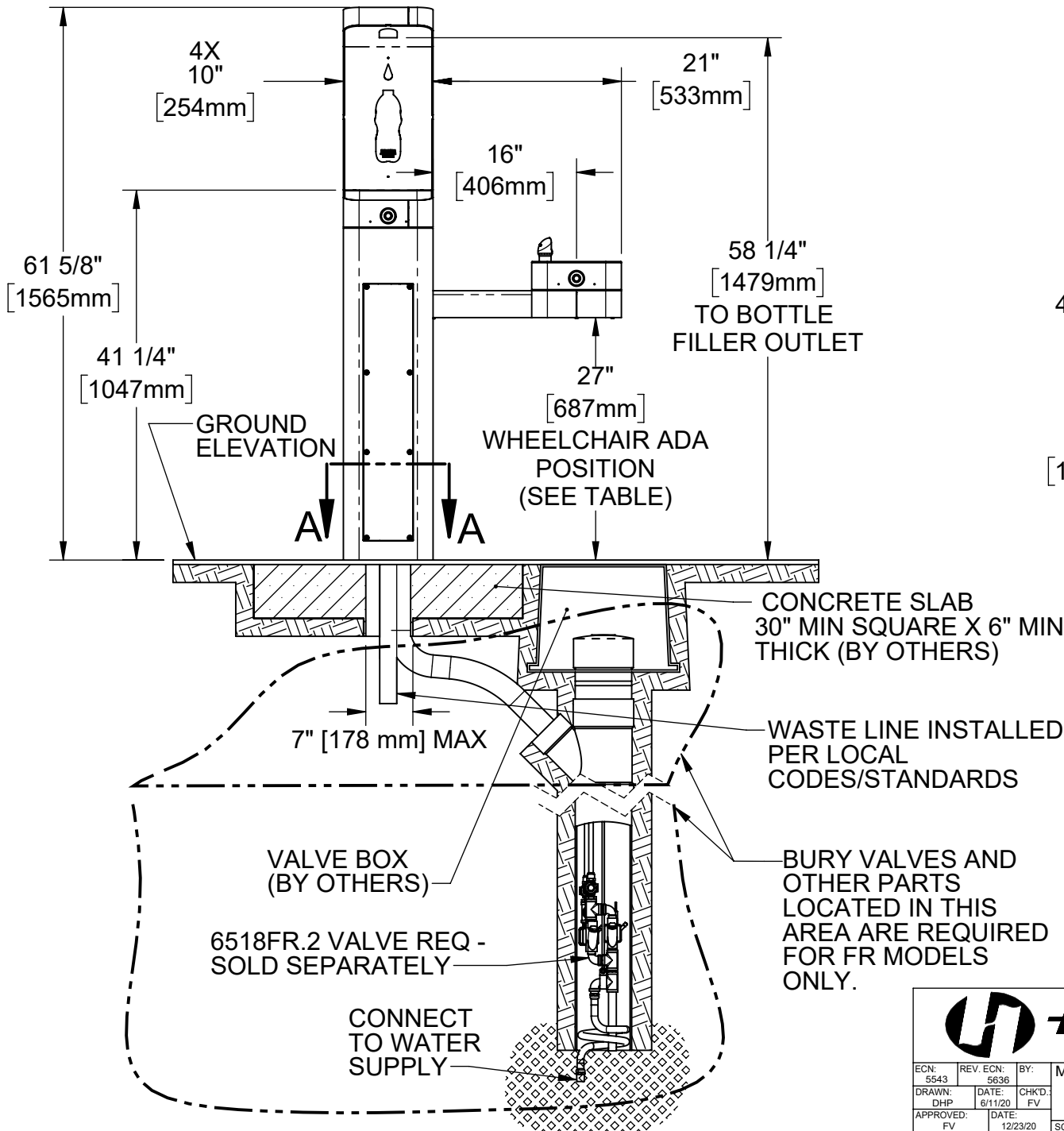


SECTION A-A

**36XX
MODULAR OUTDOOR
FOUNTAIN SYSTEM**

1455 KLEPPE LANE
SPARKS, NEVADA 89431
(775) 359-4712 FAX (775) 359-7424
E-MAIL: HAWS@HAWS.CO.COM
WEBSITE: WWW.HAWS.CO.COM

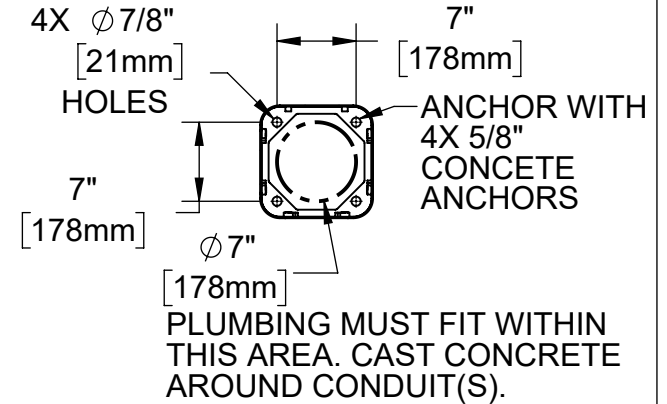
ECN: 5543	REV. ECN: 5636	BY:	MODEL(S)	PART NUMBER
DRAWN: DHP	DATE: 6/11/20	CHKD: FV	36XX	0510000704.D
APPROVED: FV	DATE: 12/23/20	SCALE: 1:24	DRAWING TYPE: INSTALLATION	REVISION: 6
			SIZE: A	SHEET 6 OF 8



ARM HEIGHT POSITION OPTIONS				
	LEFT SIDE*	RIGHT SIDE*	ARM HEIGHT (LOWER EDGE)	BUBBLER NOZZLE HEIGHT
Standing ADA	Yes (STD)	No	31-7/8 [809 mm]	39-3/8 [999 mm]**
Wheelchair ADA	Yes	Yes (STD)	27 [687 mm]	34-5/8 [878 mm]
Child ADA	Yes	Yes	22-1/4 [566 mm]	29-7/8 [757 mm]

* RIGHT AND LEFT CAN BE REVERSED IF PEDESTAL IS ROTATED 180°.

**NOZZLE HEIGHT IS 41-1/2" WHEN BUBBLER/BOWL IS INSTALLED ON PEDESTAL SUCH AS ON MODEL 3602.



SECTION A-A

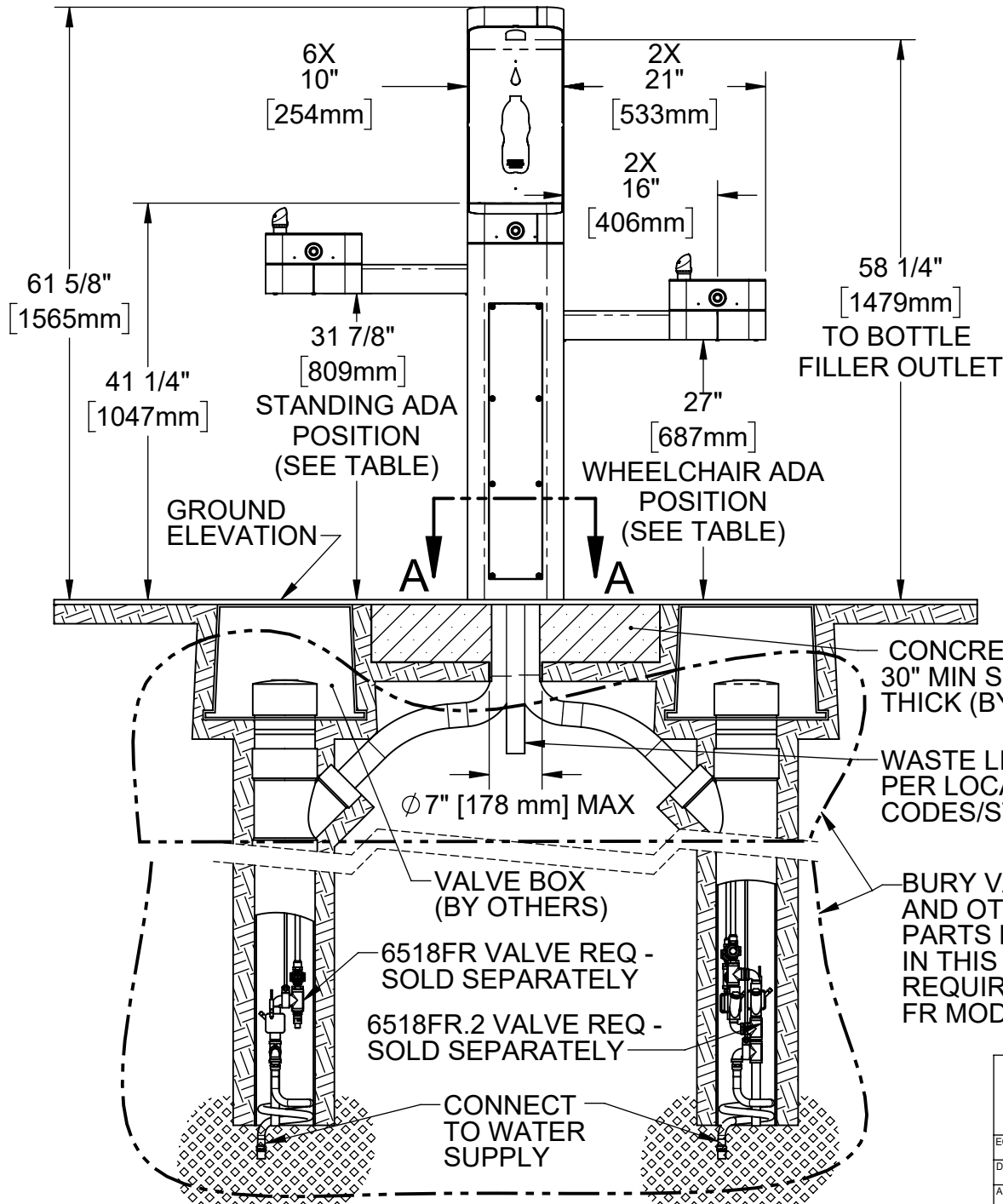
36XX MODULAR OUTDOOR FOUNTAIN SYSTEM

NOTE:

1. WHEN INSTALLING THIS UNIT, LOCAL, STATE, OR FEDERAL CODES SHOULD BE ADHERED TO FOR INSTALLATION DIMENSIONS (LOCATIONS), WASTE AND SUPPLY REQUIREMENTS OTHER THAN SHOWN. INCLUDING THE AMERICANS WITH DISABILITIES ACT (ADA).

1455 KLEPPE LANE
SPARKS, NEVADA 89431
(775) 359-4712 FAX (775) 359-7424
E-MAIL: HAWS@HAWSCO.COM
WEBSITE: WWW.HAWSCO.COM

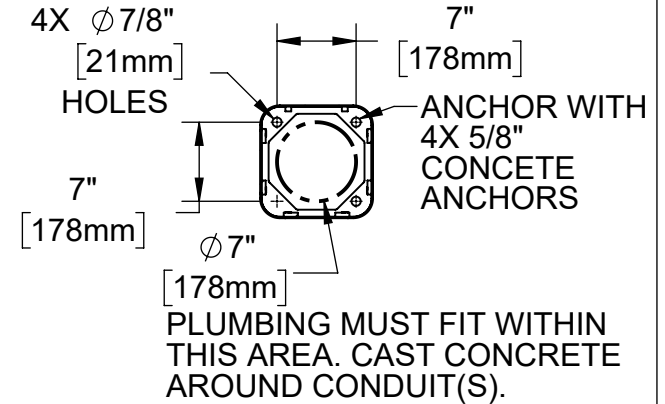
ECN: 5543	REV. ECN: 5636	BY:	MODEL(S)	PART NUMBER
DRAWN: DHP	DATE: 6/11/20	CHKD: FV	36XX	0510000704.D
APPROVED: FV	DATE: 12/23/20	SCALE: 1:24	DRAWING TYPE: INSTALLATION	REVISION
				6
			SIZE: A	SHEET 7 OF 8



ARM HEIGHT POSITION OPTIONS				
	LEFT SIDE*	RIGHT SIDE*	ARM HEIGHT (LOWER EDGE)	BUBBLER NOZZLE HEIGHT
Standing ADA	Yes (STD)	No	31-7/8 [809 mm]	39-3/8 [999 mm]**
Wheelchair ADA	Yes	Yes (STD)	27 [687 mm]	34-5/8 [878 mm]
Child ADA	Yes	Yes	22-1/4 [566 mm]	29-7/8 [757 mm]

* RIGHT AND LEFT CAN BE REVERSED IF PEDESTAL IS ROTATED 180°.

**NOZZLE HEIGHT IS 41-1/2" WHEN BUBBLER/BOWL IS INSTALLED ON PEDESTAL SUCH AS ON MODEL 3602.



SECTION A-A

36XX MODULAR OUTDOOR FOUNTAIN SYSTEM

NOTE:

1. WHEN INSTALLING THIS UNIT, LOCAL, STATE, OR FEDERAL CODES SHOULD BE ADHERED TO FOR INSTALLATION DIMENSIONS (LOCATIONS), WASTE AND SUPPLY REQUIREMENTS OTHER THAN SHOWN. INCLUDING THE AMERICANS WITH DISABILITIES ACT (ADA).

1455 KLEPPE LANE
SPARKS, NEVADA 89431
(775) 359-4712 FAX (775) 359-7424
E-MAIL: HAWS@HAWSO.COM
WEBSITE: WWW.HAWSO.COM

ECN: 5543	REV. ECN: 5636	BY:	MODEL(S)	PART NUMBER
DRAWN: DHP	DATE: 6/11/20	CHKD: FV	36XX	0510000704.D
APPROVED: FV	DATE: 12/23/20	SCALE: 1:24	DRAWING TYPE: INSTALLATION	REVISION
				6
				SHEET 8 OF 8