



model 3610FR

ADA Stainless Steel Freeze Resistant Bottle Filler

FEATURES & BENEFITS

ADA COMPLIANCE

ADA-compliant bottle filling station for wheel chair use.

BOTTLE FILLER

The ADA-compliant open design bottle filling station offers a 17" high bottle area, and open sides making this push button operated bottle filling station more accessible to users.

FREEZE-RESISTANT VALVE

Fully-engineered system with the pneumatic-operated, freeze-resistant valve installed below frost line to drain water to non-freezing depth allowing fountain to function year round. Assembly can be lifted to surface and lowered back into casing for easy maintenance without disturbing the fountain.

CONSTRUCTION

Heavy-duty stainless steel with silver powder-coated finish. Modular construction allows for easy replacement or rearrangement of drinking fountain bowls and bottle filler modules.



SPECIFICATIONS

Model 3610FR outdoor, freeze-resistant ADA-compliant pedestal mounted bottle filler shall include a heavy-duty stainless steel pedestal with matte silver powder-coating, fully engineered pneumatic valve assembly, large-opening bottle filler with quick-fill 1 gpm flow rate, 100% lead-free waterways, vandal-resistant access plates, integral mounting feet, and 1-1/2" slip waste.

REQUIRES MODEL 6518FR PRICED SEPARATELY.

OPTIONS

Installation Aid: Model MTG.3600, mounting plate for 3600 series pedestals.

Standard-use Version: Model 3610, ADA stainless steel bottle filler.

For more information, visit www.hawsco.com or call (888) 640-4297.

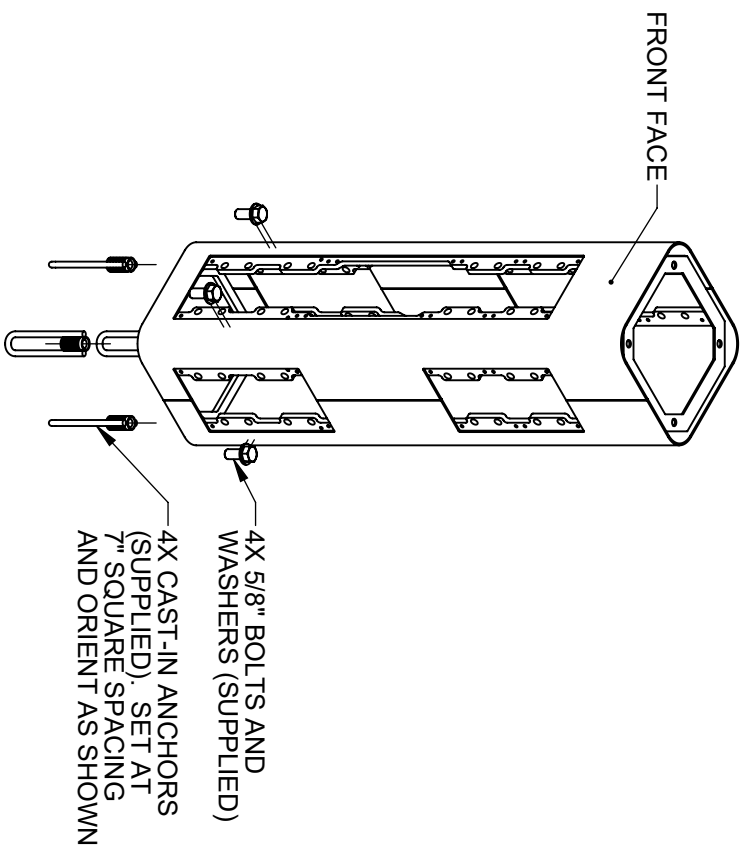
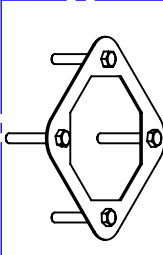
APPLICATIONS

The 3610FR offers a solution for the changing needs of outdoor settings as well as outdoor wheelchair access, appealing to all users through accessibility and safety. This bottle filler is ideal in areas such as parks, schools, and other outdoor areas where hydration facilities are needed. Model meets all current Federal Regulations for the disabled including those in the Americans with Disabilities Act. Haws manufactures drinking fountains, faucets and electric water coolers to be lead-free by all known definitions including NSF/ANSI/CAN 61-Section 9, NSF/ANSI/ CAN 372, California Proposition 65, and the Federal Safe Drinking Water Act. Product is compliant to California Health and Safety Code 116875 (AB 1953-2006), and NSF/ANSI/CAN 61: Q ≤ 1.

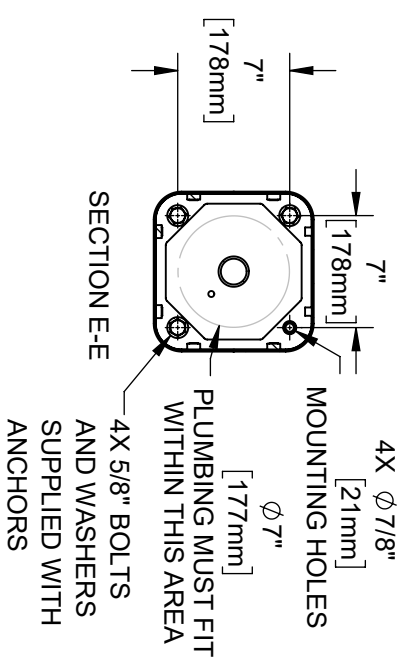
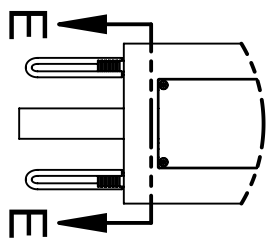


INSTALLATION INSTRUCTIONS

MODEL MTG-3600
 (OPTIONAL)
 TEMPLATE FOR
 SPACING ANCHORS
 DURING CONCRETE
 POUR



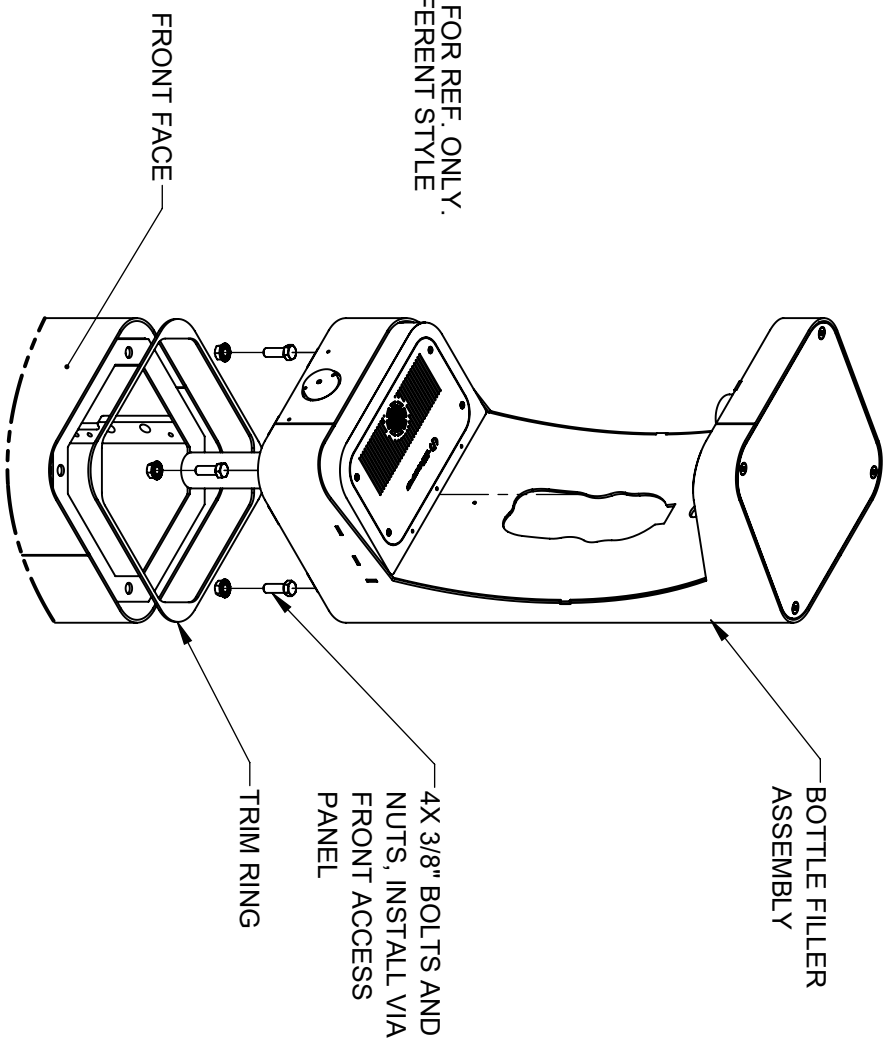
STEP 1
 MOUNT PEDESTAL TO CONCRETE SLAB IN DESIRED ORIENTATION. SLAB TO BE 30" MINIMUM SQUARE AND 6" MINIMUM THICK (BY OTHERS). PLUMBING CAST IN CONCRETE MUST FIT IN 7" DIAMETER AREA CENTERED UNDER PEDESTAL LOCATION. FOR 3610FR MODEL, SEE REQUIRED BURY VALVE (NOT SUPPLIED) INSTALLATION REQUIREMENTS ON SHEET 6.



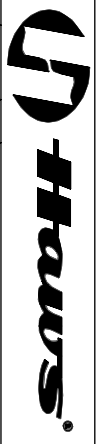
		1455 KLEPPE LANE SPARKS, NEVADA 89431 (775) 359-4712 FAX (775) 359-7424 E-MAIL: HAWS@HAWSOCO.COM WEBSITE: WWW.HAWSOCO.COM	
ENR: 5652	REV: ECN: BY: FV: MODEL(S)	DATE: CHRD: FV: 3610FR	PART NUMBER: 0580001170.D
DRAWN: [blank]	DATE: CHRD: FV: 3610FR	SCALE: 1/2" = 1'	REVISION: 2
APPROVED: FV: [blank]	DATE: CHRD: FV: 3610FR	DRAWING TYPE: INSTALLATION	SHEET 2 OF 7

INSTALLATION INSTRUCTIONS

NOTE: PUSH BUTTON SHOWN IS FOR REF. ONLY. ACTUAL PUSH BUTTON IS DIFFERENT STYLE



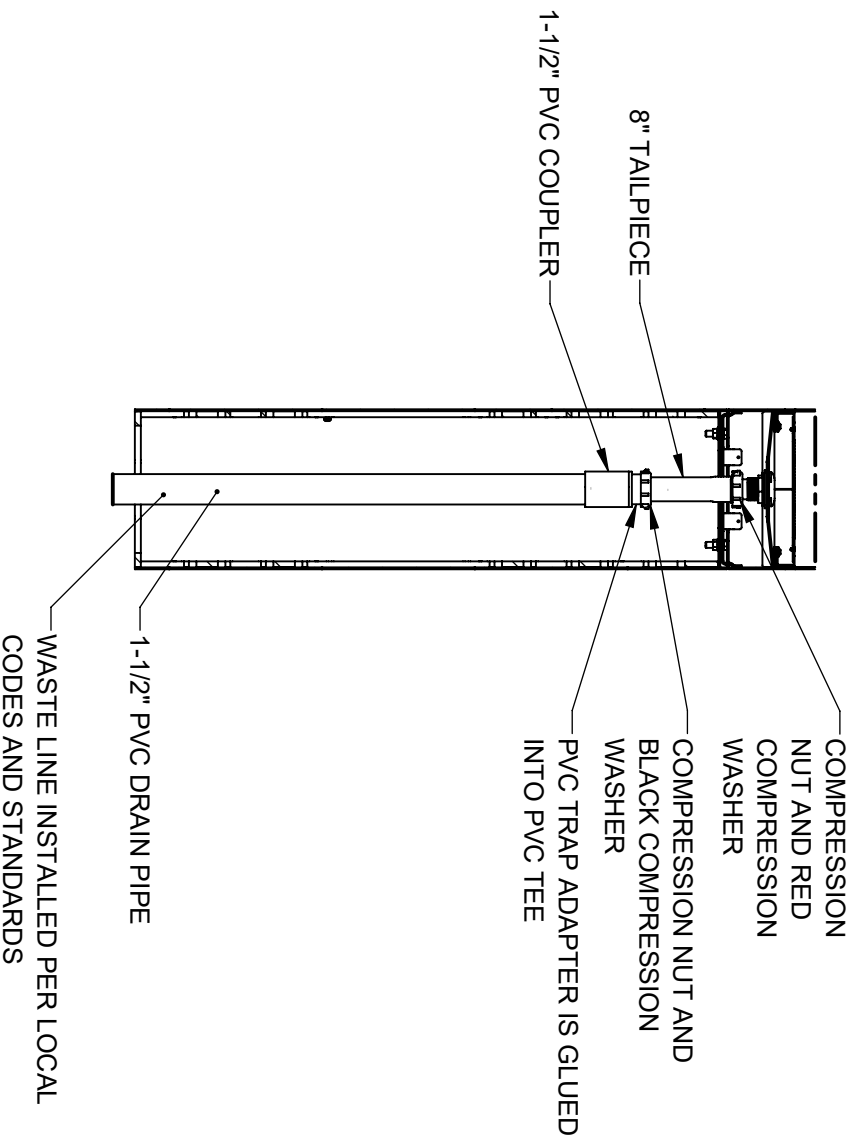
STEP 2
 PLACE SQUARE TRIM RING ON BOTTOM OF BOTTLE FILLER AND PLACE BOTTLE FILLER ON TOP OF PEDESTAL, FACING THE FRONT. USE 3/8" BOLTS AND NUTS VIA THE FRONT ACCESS PANEL TO SECURE BOTTLE FILLER TO PEDESTAL. CAREFULLY CENTER TRIM RING AND BOTTLE FILLER AND TORQUE BOLTS/NUTS TO 18 FT-LBS.



1455 KLEPPE LANE
 SPARKS, NEVADA 89431
 (775) 359-4712 FAX (775) 359-7424
 E-MAIL: HAWS@HAWSCCO.COM
 WEBSITE: WWW.HAWSCCO.COM

E.C.N.	REV. E.C.N.	BY:	MODEL(S)	PART NUMBER
5652	5779	F.V.		0580001170.D
DRAWN	DATE	CHK'D		REVISION
BY	BY	BY		2
APPROVED	DATE	SCALE	DRAWING TYPE	
F.V.	09/16/21	1/24	INSTALLATION	
			SIZE: A	SHEET 3 OF 7

INSTALLATION INSTRUCTIONS

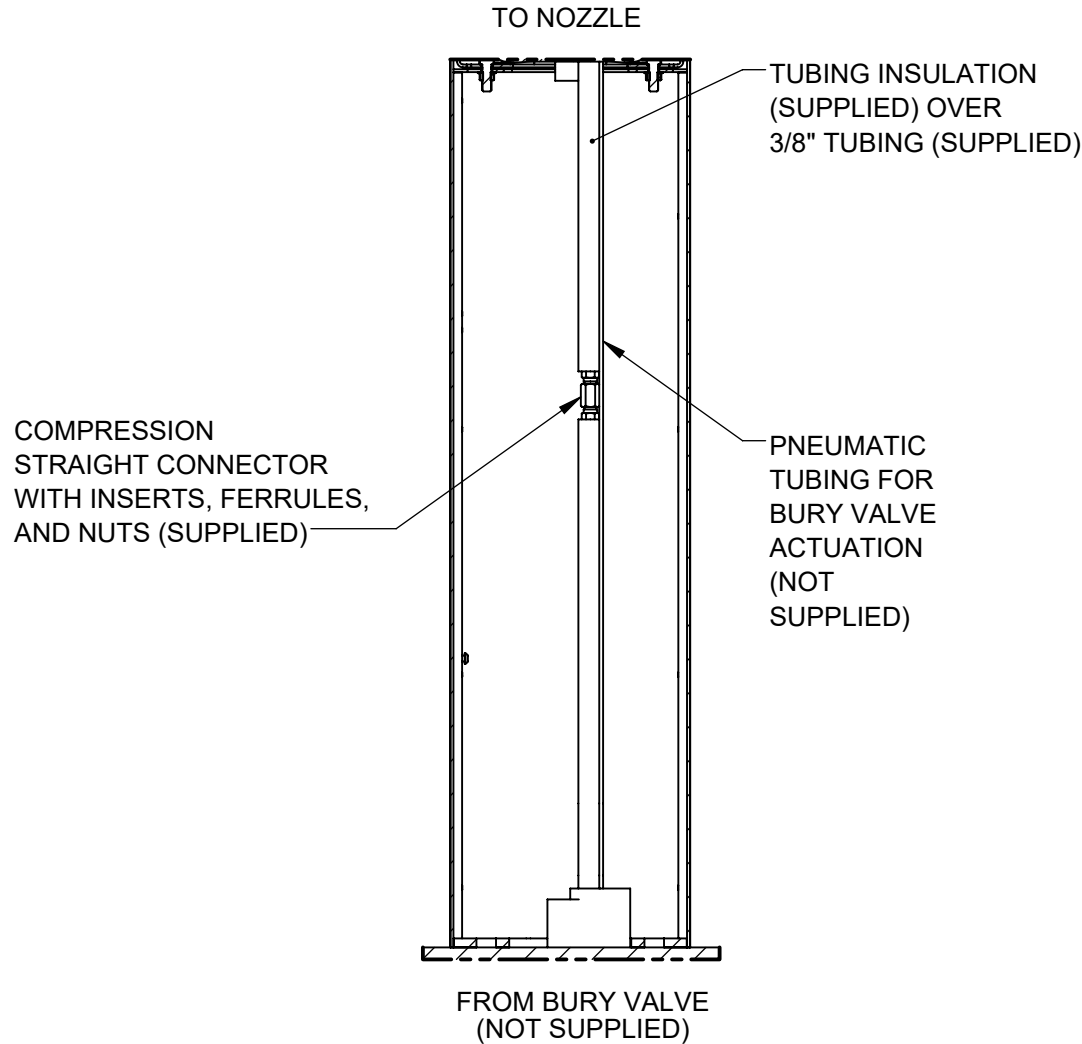


STEP 3

INSTALL SUPPLIED DRAIN COMPONENTS AS SHOWN. RED COMPRESSION WASHER ADAPTS FROM 1-1/4" TO 1-1/2" AT DRAIN TAIL PIECE. BLACK COMPRESSION WASHER IS USED IN TRAP ADAPTER AT COUPLER. USE APPROPRIATE PVC CEMENT TO MAKE SOLVENT CEMENT CONNECTIONS. TRIM TAIL PIECE LENGTH IF REQUIRED. NOTE THAT EXTRA PARTS MAY BE INCLUDED TO FACILITATE OTHER CONFIGURATIONS OF THIS FOUNTAIN.

		1455 KLEPPE LANE SPARKS, NEVADA 89431 (775) 359-4712 FAX (775) 359-7424 E-MAIL: HAWS@HAWSCCO.COM WEBSITE: WWW.HAWSCCO.COM	
ENCL: 5652	REV/ENCL: F.V.	BY: F.V.	MODEL(S):
DRAWN BY: BMD	DATE: 5/79	CHKD BY: BMD	3610FR
APPROVED: F.V.	DATE: 09/16/21	SCALE: 1/24	DRAWING TYPE: INSTALLATION
PART NUMBER: 0580001170.D		REVISION: 2	
SHEET 4 OF 7		SIZE: A	

INSTALLATION INSTRUCTIONS




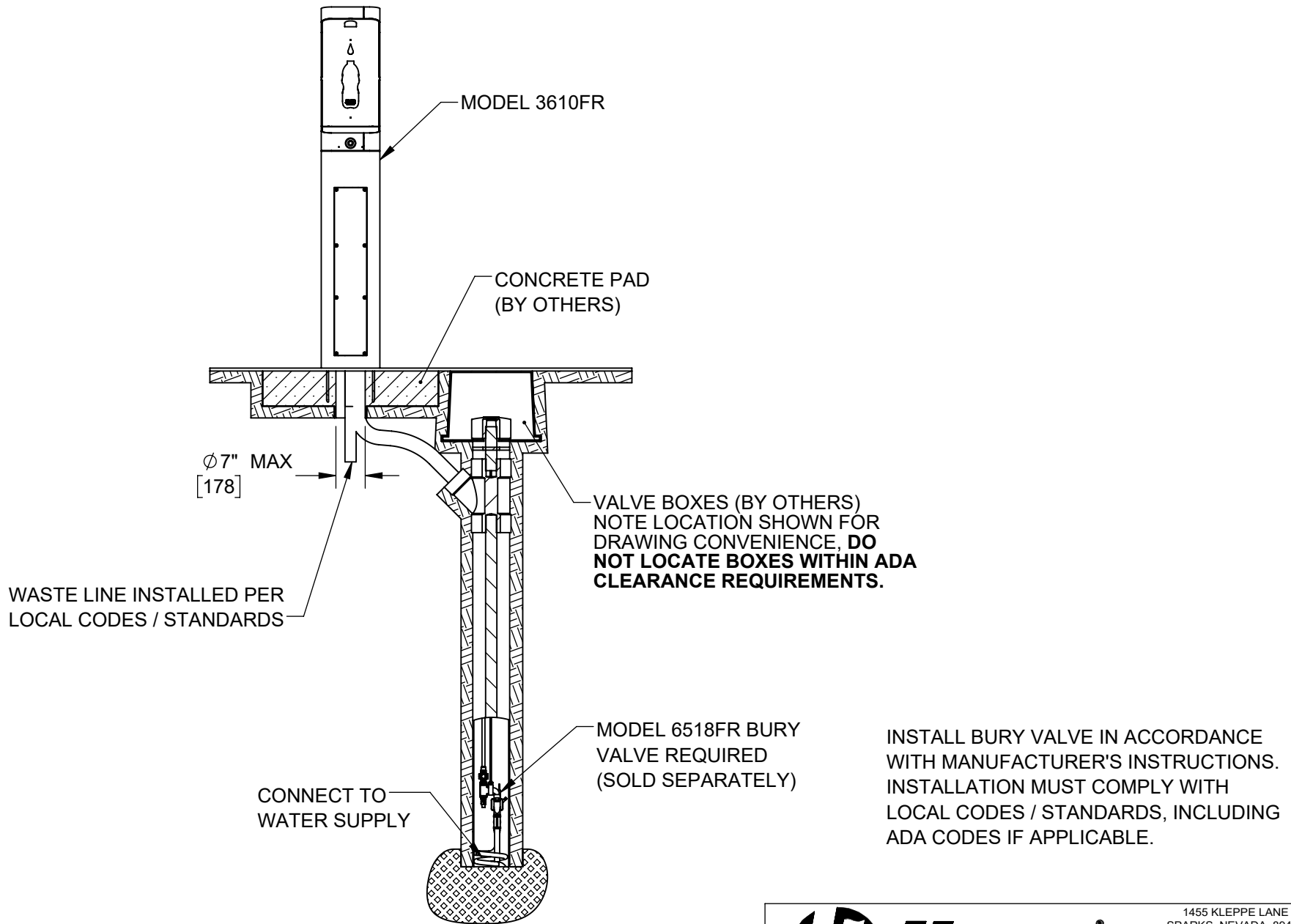
3610FR SUPPLY PLUMBING*

* SEE NEXT SHEET OF THIS DRAWING FOR MORE INFORMATION ON INSTALLING BURY VALVES WITH THIS MODEL.

STEP 4

COMPLETE WATER SUPPLY PLUMBING AS SHOWN. OPEN SUPPLY VALVE AND TEST. REPLACE PEDESTAL ACCESS PLATES BURY VALVE (NOT SUPPLIED) IS REQUIRED FOR 3610FR INSTALLATION. REFER TO BURY VALVE OPERATION AND MAINTENANCE MANUAL FOR ADDITIONAL INFORMATION.

		1455 KLEPPE LANE SPARKS, NEVADA 89431 (775) 359-4712 FAX (775) 359-7424 E-MAIL: HAWS@HAWS.CO.COM WEBSITE: WWW.HAWS.CO.COM	
		ECN: 5652 DRAWN: DHP APPROVED: FV	REV. ECN: 5719 DATE: 6/11/20 DATE: 09/16/21
			PART NUMBER 0580001170.D REVISION 2
		SCALE: 1:24 DRAWING TYPE: INSTALLATION	SIZE: A SHEET 5 OF 7



Ø 7" MAX
[178]

WASTE LINE INSTALLED PER LOCAL CODES / STANDARDS


VALVE BOXES (BY OTHERS)
NOTE LOCATION SHOWN FOR DRAWING CONVENIENCE, **DO NOT LOCATE BOXES WITHIN ADA CLEARANCE REQUIREMENTS.**

CONNECT TO WATER SUPPLY

MODEL 6518FR BURY VALVE REQUIRED (SOLD SEPARATELY)

INSTALL BURY VALVE IN ACCORDANCE WITH MANUFACTURER'S INSTRUCTIONS. INSTALLATION MUST COMPLY WITH LOCAL CODES / STANDARDS, INCLUDING ADA CODES IF APPLICABLE.

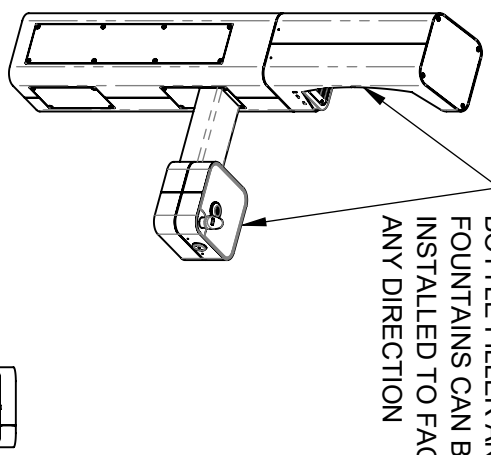
3610FR GENERAL BURY VALVE LAYOUT (FOR REFERENCE ONLY)

		1455 KLEPPE LANE SPARKS, NEVADA 89431 (775) 359-4712 FAX (775) 359-7424 E-MAIL: HAWS@HAWS.CO.COM WEBSITE: WWW.HAWS.CO.COM	
		ECN: 5652 DRAWN: DHP APPROVED: FV	REV. ECN: 5719 DATE: 6/11/20 DATE: 09/16/21
PART NUMBER 0580001170.D			REVISION 2
SCALE: 1:24		DRAWING TYPE: INSTALLATION	SIZE: A SHEET 6 OF 7

NOTES ON OPTIONAL CONFIGURATIONS

HAWS 3600FR SERIES OUTDOOR FOUNTAINS ARE MODULAR AND CAN BE ASSEMBLED AND CONFIGURED MANY DIFFERENT WAYS. DISPLAYED HERE ARE A FEW EXAMPLES. CONFIGURATIONS OTHER THAN THAT SHOWN IN THE INSTALLATION INSTRUCTIONS FOR THE 3610FR MAY AFFECT COMPLIANCE WITH ADA REGULATIONS. IT IS THE RESPONSIBILITY OF THE INSTALLER TO UNDERSTAND LOCAL, STATE, AND FEDERAL REGULATIONS AS APPLICABLE IF INSTALLING THIS FOUNTAIN IN CONFIGURATIONS OTHER THAN THAT INDICATED ON SHEET 1 (PAGE 6 OF 12).

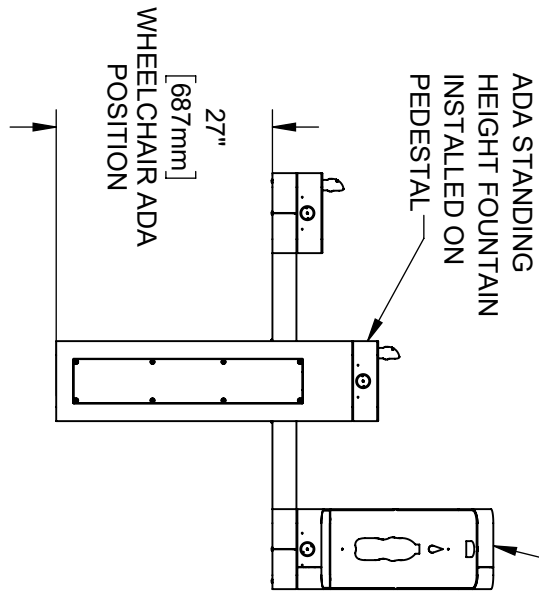
BOTTLE FILLER AND FOUNTAINS CAN BE INSTALLED TO FACE ANY DIRECTION



ADA ARM HEIGHT POSITION OPTIONS					
	LEFT SIDE*	RIGHT SIDE*	ARM HEIGHT (LOWER EDGE)	BUBBLER NOZZLE HEIGHT	
STANDING ADA	YES (STD)	NO	31-7/8 [809 mm]	39-3/8 [999 mm]**	
WHEELCHAIR ADA	YES (STD)	YES (STD)	27 [687 mm]	34-5/8 [878 mm]	
CHILD ADA	YES	YES	22-1/4 [566 mm]	29-7/8 [757 mm]	

* RIGHT AND LEFT CAN BE REVERSED IF PEDESTAL IS ROTATED 180°.
 **NOZZLE HEIGHT IS 41-1/2" WHEN FOUNTAIN IS INSTALLED ON TOP OF PEDESTAL.

BOTTLE FILLER CAN BE INSTALLED ON ARMS



22 1/4" [564mm] CHILD ADA POSITION

NOTE: PUSH BUTTONS SHOWN ARE FOR REF. ONLY, ACTUAL PUSH BUTTONS ARE DIFFERENT STYLE.



1455 KLEPPE LANE
 SPARKS, NEVADA 89431
 (775) 359-4712 FAX (775) 359-7424
 E-MAIL: HAWS@HAWSCCO.COM
 WEBSITE: WWW.HAWSCCO.COM

E.C.N.	REV. E.C.N.	BY:	MODEL(S)
5652	5719	F.V.	3610FR
DRAWN BY	DATE	CHK'D BY	
APPROVED BY	DATE	SCALE	DRAWING TYPE
F.V.	09/16/21	1/24	INSTALLATION
		SIZE	SHEET 7 OF 7
			2

PART NUMBER: 0580001170.D