



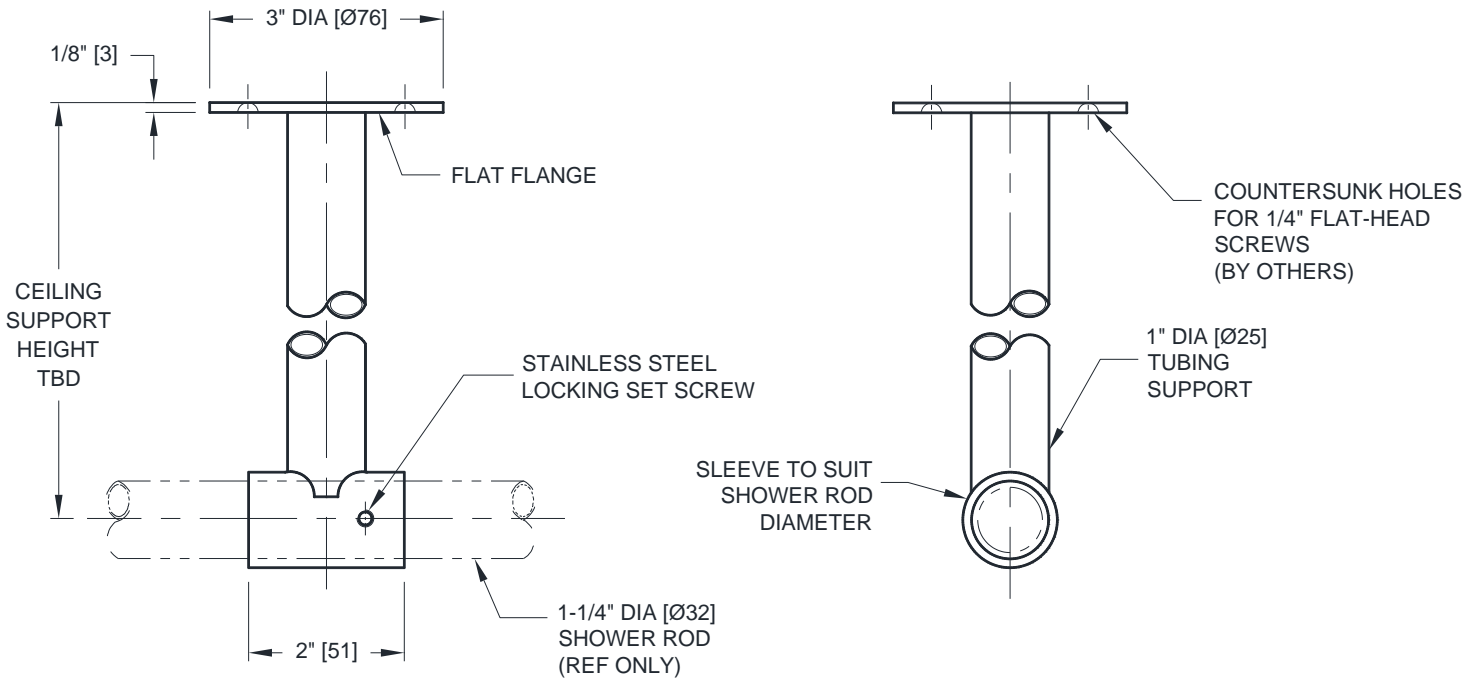
**AMERICAN SPECIALTIES, INC.**  
 441 Saw Mill River Road, Yonkers, NY 10701  
 (914) 476.9000 • (914) 476.0688  
 www.americanspecialties.com

**MODEL №:** 1204-CM\_\_\_\_\_

**ISSUED:** 01-87

**REVISED:** 18 JUL 2019

## CEILING SUPPORT



ELEVATION VIEW

SIDE VIEW

**NOTE**

ALL DIM'S INCH [MM]

ILLUSTRATION FOR REF ONLY AND NTS

FOR CLEANING INSTRUCTIONS SEE APPROPRIATE SECTIONS  
 IN PRODUCT CARE & MAINTENANCE BULLETIN (PCM) ON ASI  
 WEBSITE

### SPECIFICATION

Ceiling Support shall be type 304 stainless steel alloy 18-8 with satin finish and consists of a flat exposed mounting flange, tubing and sleeve. Unit shall be all welded construction. Flat flange shall be 3" Dia [Ø76] x 1/8" [3] thick and shall be provided with three (3) countersunk holes to accept 1/4" Dia [Ø6] flat-head or oval-head screws (by others). Support tubing shall be 1" Dia [Ø25] x 20 gage and sleeve shall be heavy wall tubing to accommodate 1-1/4" Dia [Ø32] shower rod. Sleeve shall be provided with stainless steel set screw for locking shower rod in place.

**Ceiling Support shall be Model № 1204-CM\_\_\_\_\_ (add specification from table below) as manufactured by American Specialties, Inc., 441 Saw Mill River Road, Yonkers, NY 10701-4913**

### INSTALLATION

Centerline of support sleeve must match centerline of mounting height of rod flanges. Insert the 1-1/4" Dia [Ø32] shower rod through the sleeve and place trapped flanges (specified separately) at either end. Surface mount flat flange to ceiling with three screws (by others) through countersunk holes provided into suitable blocking reinforcement (by others) or shield anchors (by others) or other appropriate ceiling preparation (by others). Lock shower rod into place with stainless steel set screw provided on top of the sleeve. Install end flanges in manner described in installation section of data sheet for product specified.

ORDER CONFIGURATION SCHEDULE	
MODEL №	HEIGHT OF SUPPORT
1204-CM24	24" [610]
1204-CM36	36" [914]
1204-CM48	48" [1219]
1204-CM_____	" [_____]