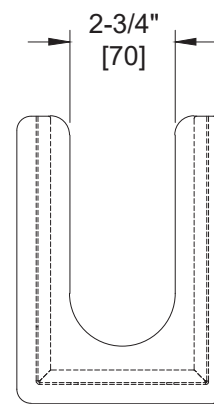
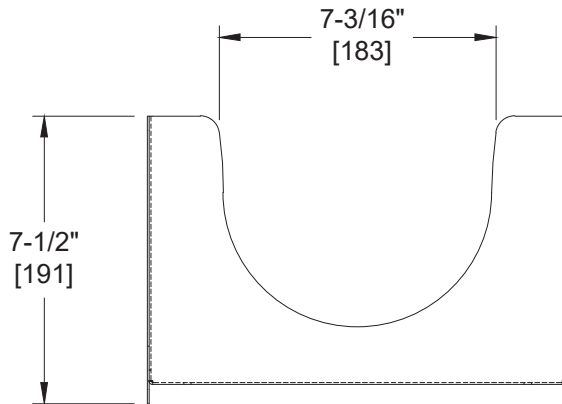
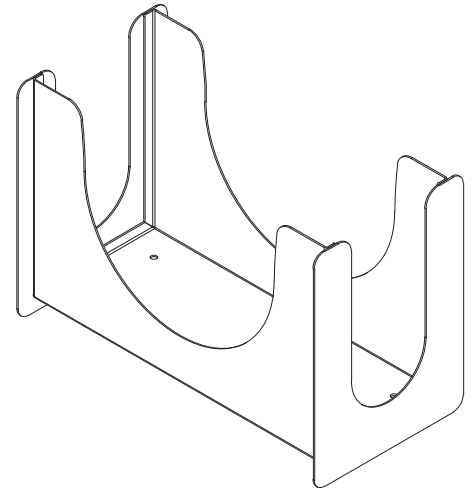
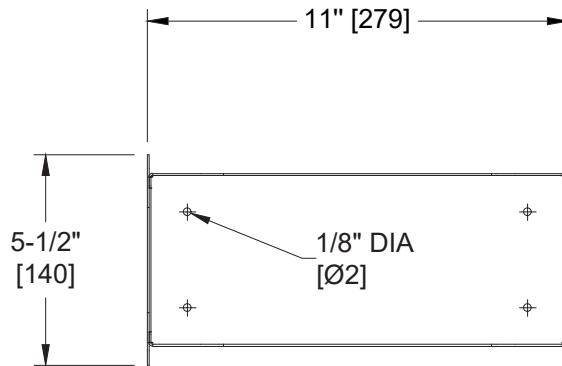


Vanity Top Paper Towel Holder

Paper Towel Dispensers

MasterFormat Section 10 28 13



Scan for Information



SUSTAINABILITY/LEED

MR 4.1 (1) MR 6 (1) EQ 4.2 (1)
MR 4.2 (1) EQ 4.1 (1) EQ 4.4 (1)

NOTE:
ALL DIM'S INCH [MM]
ILLUSTRATION FOR REF ONLY AND NTS
FOR CLEANING INSTRUCTIONS SEE APPROPRIATE SECTIONS IN
PRODUCT CARE & MAINTENANCE BULLETIN (PCM) ON ASI WEBSITE

PRODUCT OVERVIEW

The Vanity Top Paper Towel Holder unit is fabricated of type 304 stainless steel alloy 18-8" It has the capacity to hold 250 C-fold or 350 multi-fold standard towels. Unit is 16 gauge.

KEY FEATURES & SPECIFICATIONS

- Robust 16 gauge stainless steel
- Type 304 Stainless Steel - Satin Finish
- For use on a Counter Top
- Pull Type
- 250 C-Fold OR 350 Multi-Fold

OPERATION & MAINTENANCE

Towels are manually withdrawn one at a time while continuously visible supply is available. Towels are replenished as needed or as part of regular maintenance schedule.

TECHNICAL INFORMATION / PRODUCT PROPERTIES

Property	Value
Dimensions	11" [279] W x 7-1/2" [191] H x 5-1/2" [140] D
Construction	Type 304 Stainless Steel - Satin Finish
Power	N/A
Operation	Manual - Pull Type
Mounting	For use on a Counter Top
Capacity	250 C-Fold OR 350 Multi-Fold

INSTALLATION

Place unit on countertop in location that does not interfere with faucets or soap dispensers and will not be splashed by water or soap from basins in use.

WARRANTY

One (1) Year from date of Invoice