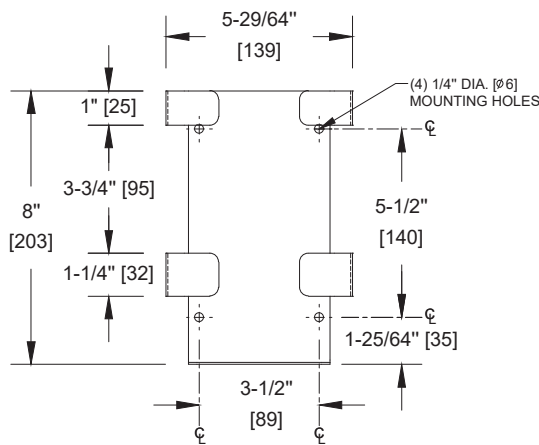
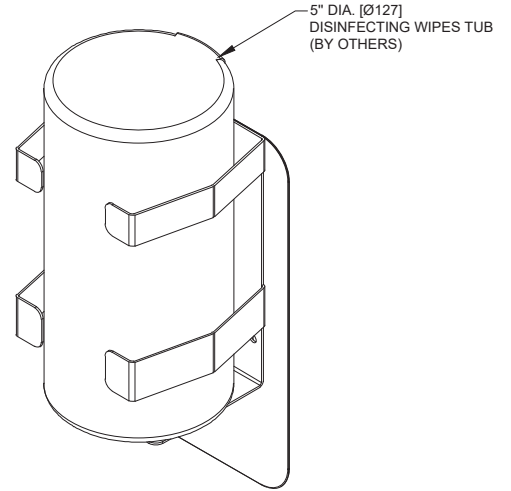
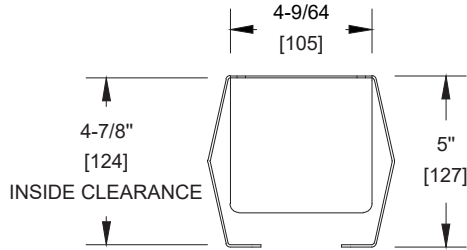
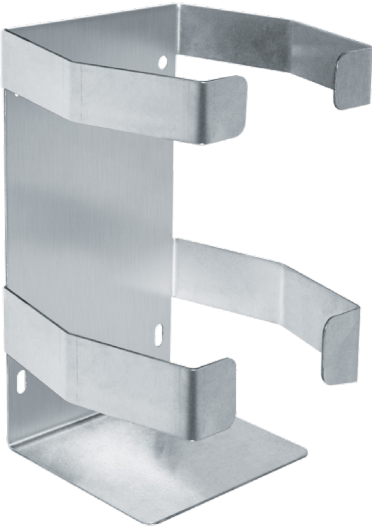


Wipes Dispenser Holder - Attachment for FS-0300

Stand

MasterFormat Section 10 28 13



Scan for Information



SUSTAINABILITY/LEED

MR 4.1 (1) MR 6 (1) EQ 4.2 (1)
MR 4.2 (1) EQ 4.1 (1) EQ 4.4 (1)

NOTE:
ALL DIM'S INCH [MM]
ILLUSTRATION FOR REF ONLY AND NTS
FOR CLEANING INSTRUCTIONS SEE APPROPRIATE SECTIONS IN
PRODUCT CARE & MAINTENANCE BULLETIN (PCM) ON ASI WEBSITE

PRODUCT OVERVIEW

Wipes dispenser holder mounts to FS-0300 or DS-0400 stainless steel stands (sold separately) with self-threading pan head screws (by others) through holes provided or with double-sided tape with top of holder no higher than 46" [1168] Above Finished Floor for ADA compliance. Constructed of 16 gauge type 304 stainless steel with satin finish. Holds one standard sized wipes tub (by others) for self-feeding until supply is depleted.

KEY FEATURES & SPECIFICATIONS

- Wipes dispenser holder mounts to FS-0300 stainless steel stand (sold separately)
- Type 304 Stainless Steel - Satin Finish
- 16 gauge construction
- Holds (1) commercially available disinfecting wipes tub (by others) of 4-1/4" Dia. [Ø108] x 8-1/2" [216] High for top dispensing

OPERATION & MAINTENANCE

Wipes Dispenser Holder presents standard wipes tub (by others) for self-feeding until supply is depleted. Unit fits most standard Wipes Dispenser tub sizes. Unit should be cleaned and sanitized according to facility protocol on cycles determined by facility management. More information for care and cleaning of stainless steel is available, on ASI web site.

TECHNICAL INFORMATION / PRODUCT PROPERTIES

Property	Value
Dimensions	5-29/64" [139] W x 8" [203] H x 5" [127] D (holder only, without stand)
Construction	Type 304 Stainless Steel - Satin Finish 16 gauge construction
Mounting	Stand Mount
Capacity	Holds (1) commercially available disinfecting wipes tub (by others) of 4-1/4" Dia. [Ø108] x 8-1/2" [216] for top dispensing

INSTALLATION

Wipes Dispenser Holder shall mount on the FS-0300 Dispenser Stand (supplied separately) with double-sided tape (supplied with FS-0300) or wall mount in a convenient location chosen by owner with #10 x 1-1/2" [M5x40], self-threading pan head screws (by others). Suggested location is to maximize access by intended users and to not interfere with any accessible route clearances. For compliance with 2010 ADA Accessibility Standards and 2015 ABA Standards wall mounted units should be installed with top of holder no higher than 46" [1168] AFF.

WARRANTY

One (1) Year from date of Invoice