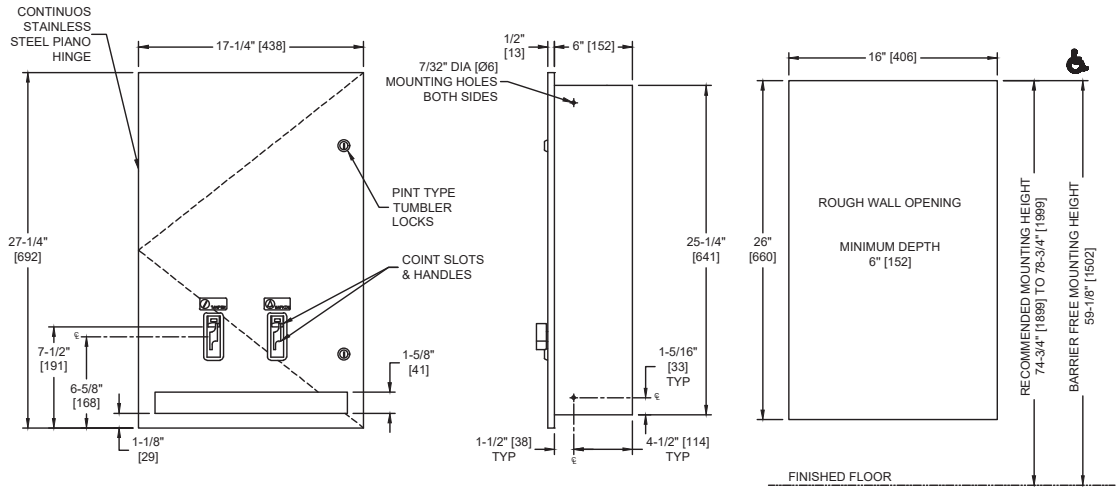


Dual (30) Napkin/ (27) Tampon Vendor – Recessed – 25¢ - 50¢ or Free Operation

Feminine Hygiene Vendors and Disposals

MasterFormat Section 10 28 13



SUSTAINABILITY/LEED

MR 4.1 (1) MR 6 (1) EQ 4.2 (1)
MR 4.2 (1) EQ 4.1 (1) EQ 4.4 (1)

NOTE:
ALL DIM'S INCH [MM]
ILLUSTRATION FOR REF ONLY AND NTS
FOR CLEANING INSTRUCTIONS SEE APPROPRIATE SECTIONS IN
PRODUCT CARE & MAINTENANCE BULLETIN (PCM) ON ASI WEBSITE

PRODUCT OVERVIEW

Dispenses 30 napkins and 27 tampons. Doors are held closed with two (2) tumbler locks. Internal coin-box is keyed differently than door locks. Dispensing mechanisms are fastener mounted internally to provide ability to change mechanisms for coinage denomination. Weights for each feed track are supplied. Universal coin mechanism allows for 25¢, 50¢ and free (no coin) operation. Choose appropriate suffix (-25, -50 or -F). Shall be fabricated of 18 gauge type 304 stainless steel alloy 18-8. Door shall be attached with a full length 3/16" diameter (Ø4.8) stainless steel multi-staked piano hinge and shall be held closed with two (2) tumbler locks keyed alike to other ASI washroom equipment.

KEY FEATURES & SPECIFICATIONS

- Dual Vendor
- 25¢ - 50¢ or Free Operation
- Type 304 Stainless Steel - Satin Finish
- Recessed
- 30 Napkins AND 27 Tampons
- ☐0468-25 – allows for 25¢ operation
- ☐0468-50 – allows for 50¢ operation
- ☐0468-F – allows Free (no coin) operation

OPERATION & MAINTENANCE

Deposit of specified coin allows operation of dispenser. Napkin and tampon dispensers operate independently. Selected product drops into vending opening after operator actuation. Indicator displays empty condition and blocks coin slot when product is depleted. Unit vend product supply is replenished on cycle determined by maintenance needs by opening door and manually reloading product into dispenser supply tracks. Track weights MUST BE USED to provide positive feed.

TECHNICAL INFORMATION / PRODUCT PROPERTIES

Property	Value
Dimensions	16" [406] x 26" [660] x 6" [152]
Construction	Type 304 Stainless Steel - Satin Finish
Mounting	Recessed
Capacity	<p>NAPKINS, SINGLES, CARDBOARD-BOXED, SEMIGLOSS FINISH CAPACITY 30 BOX SIZE 4-1/4" [108] x 3" [76] x 1-1/8" [29]</p> <ul style="list-style-type: none"> <input type="checkbox"/> Stayfree# 4 <input type="checkbox"/> Guards# 247, or 147 <input type="checkbox"/> Kotex# 704, 707, 07010, 07040, 07045, 07300, 07320 <input type="checkbox"/> Pure-Nat# M-4 <input type="checkbox"/> Modess# 4 <p>TAMPONS, CYLINDER, CARDBOARD, SEMIGLOSS, CRIMPED ENDS CAPACITY 27 TUBE SIZE 3/4" diameter [Ø19] x 5-1/4" [134]</p> <ul style="list-style-type: none"> <input type="checkbox"/> Tampax# T500 <input type="checkbox"/> Modess Tampons

INSTALLATION

Unit is semi-recess mounted using #10 self-threading screws (by others). For maximum usability and compliance with 2010 ADA Accessibility Standards, unit should be installed so that coin slot is between 54" [1372] maximum Above Finished Floor (AFF) and 38" [965] minimum AFF. Note that coin slot is 6-3/8" [162] above bottom edge of RWO. SR collar is installed on cabinet prior to mounting in recess following procedure described on SR Collar Data Sheet.

Rough Wall Opening (RWO) required is 16" [406] W x 26" [660] H x 4" [102] D minimum

WARRANTY

One (1) Year from date of Invoice