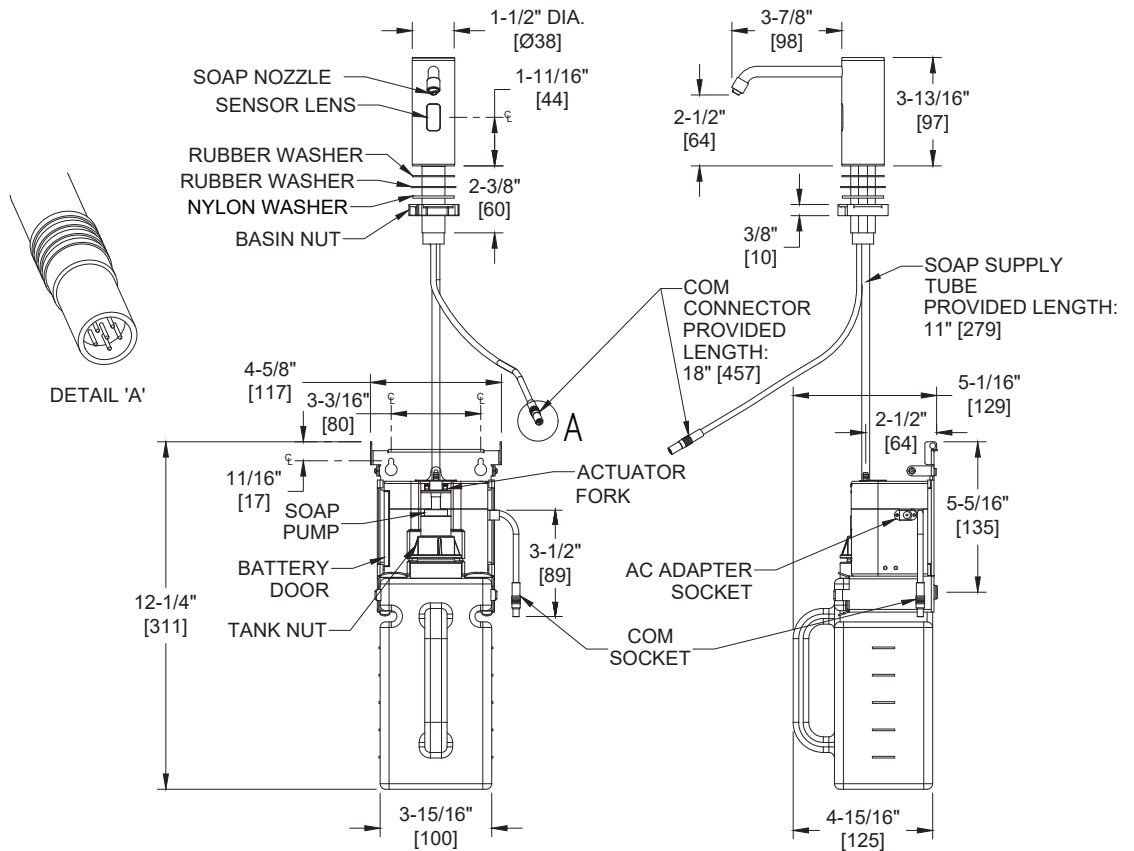


**Automatic Liquid Soap & Gel Hand Sanitizer Dispenser – Vanity Mounted – Satin Finish**

Soap Dispensers

MasterFormat Section 10 28 13



Scan for Information



**SUSTAINABILITY/LEED**

MR 4.1 (1) MR 6 (1) EQ 4.2 (1)  
MR 4.2 (1) EQ 4.1 (1) EQ 4.4 (1)

**PRODUCT OVERVIEW**

Hands-free liquid soap dispenser powered by 4 AA-size batteries (not included) or optional AC adapter (72-ACA, not included). Body shall be type 304 stainless steel and all exposed stainless steel surfaces will have a Satin finish. An indicator LED shall provide status notification of battery condition, soap level and condition, and user sensor detection. Supply tank installed under vanity is clear with graduated markings to continuously provide soap level indication. Capacity: 50.7 oz. (1500 ml). Soap Requirements: Proper usage of this dispenser requires, that only soap within the following range for viscosity and pH may be used. Viscosity Range (mPa•s or cP): 1-3000. pH Range: 5.5 ~ 8.5.

**KEY FEATURES & SPECIFICATIONS**

- Dual Purpose Dispenser - Hand Sanitizer or Soap
- "Touch Free" dispensing for better hygiene
- Type 304 Stainless Steel - Satin Finish
- Vanity Mounted
- Automatic - Battery Operated - "No Touch"
- 50.7 oz. (1.5 L) Capacity

**OPERATION & MAINTENANCE**

Liquid soap or gel sanitizer is automatically dispensed when hands are placed in sensor zone. LED indicator flashes once to indicate detection of object in sensor zone. Diagnostic constant or green or red LED flashes indicate battery and/or dispense product condition (see OM for full description). Dispenser will continue to feed properly until empty. Tank supply is replenished manually on a cycle determined by maintenance needs. See OM for complete maintenance and refilling instructions.

**TECHNICAL INFORMATION / PRODUCT PROPERTIES**

Property	Value
Dimensions	Spout body: 1-1/2" x 3-13/16" [38 x 97], Spout: 3-7/8" [98], Supply Tank w/ Pump: 4-5/8" x 12-1/4" x 5-1/16" [117 x 310 x 129]
Construction	Type 304 Stainless Steel - Satin Finish
Mounting	Vanity/Counter Mount
Options	N/A

**INSTALLATION**

Mount unit to counter top with washers and basin nut (supplied) into 1" diameter [25.4] hole located in counter top per template or to suit site conditions. Install pump control module with supply tank under vanity as per MT provided. Installation and Operation Instructions (OM #1701241448) and a mounting template (MT #1701161327) are provided with unit in carton.

**WARRANTY**

One (1) Year from date of invoice