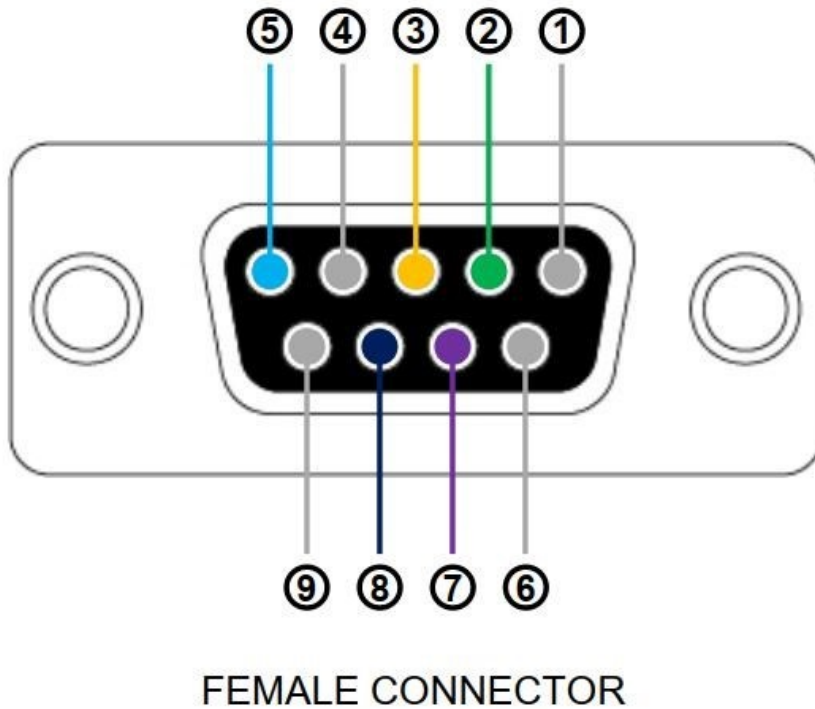


## ■ Pin Assignment (DB9 Female Connector)



No.	Name	Signal
①	NC	Do not use
②	TX	Transmit DATA
③	RX	Receive DATA
④	NC	Do not use
⑤	GND	Ground
⑥	NC	Do not use
⑦	NC	Do not use
⑧	NC	Do not use
⑨	NC	Do not use