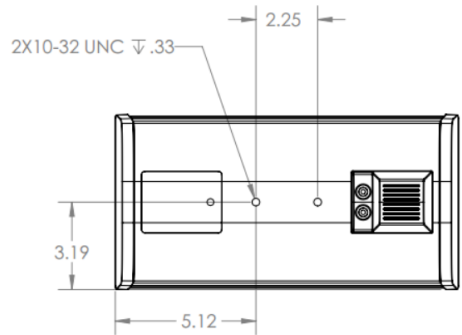
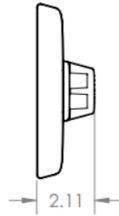
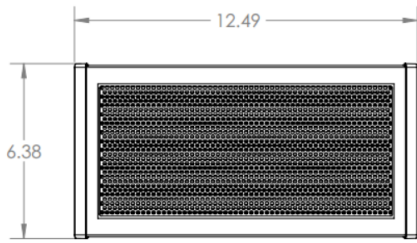
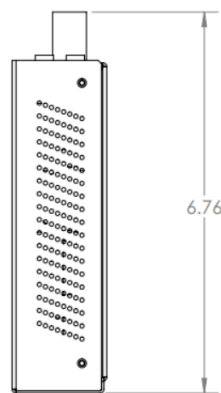
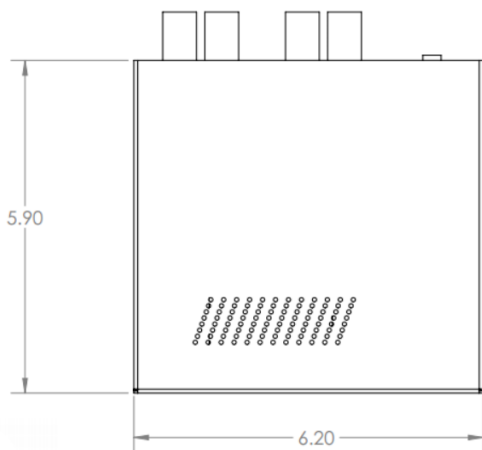


5. PRODUCT ILLUSTRATIONS



TITLE: 6x10 Emitter Full Assembly		
SIZE B	DWG. NO. 13-0001-00-00	REV A



TITLE: Amplifier Full Housing		
SIZE B	DWG. NO. 13-0101-00-00	REV A

6. PRODUCT SPECIFICATIONS

MODEL HSS-3000

Electrical:

AC power cord length:
1.5 meters (5 feet)
Speaker cord length
(14AWG):
2 meters (6.5 feet)
Universal power supply:
Input: 100V-240V-50/60
Hz
Output: 30V DC @ 1.5
amps

Mechanical:

Speaker dimensions:
12.5 x 6.375 x 2.125
inches
Amplifier box:
6.25 x 6.75 x 1.875 inches
Unit Weight:
7.4 pounds (3.4 kg)
(per complete system)

Colors:

Black - Standard
White - Standard

Environmental:

Operating temperature:
10°C to 40°C (50° to
104°F)
Storage temperature:
-20°C to 50°C (-4°to
122°F)
Operating humidity range:
0 to 95% (non-
condensing)
Storage humidity range:
0 to 95% (non-
condensing)

System:

Max audio SPL output:
(single speaker) 89dB
@ 1.5 kHz/2 meters

Audio:

Impedance: 10k Ohms
Input connectors: 1
RCA style connector
(per channel)
Speaker cable
connectors:
2 banana style
connectors (per
speaker)
Powered subwoofer
output:
1 RCA style

System configuration:

Stereo 2 channel or
mono
Max input for max
output: 160 mVrms per
channel
Frequency response:
300 Hz to 18kHz

Ultrasonic and DSP

Processing:

Carrier frequency:
Proprietary in range of
40 kHz
Modulation method:
Proprietary and patent
pending processing

Ultrasonic Speaker

Type:

HyperSound proprietary,
patented and patent
pending monolithic film
transducer

Power Amplification:

Amplifier type:
Customized Class D
digital Amplifier power
output: 15 watts

Specifications are subject
to change without notice.