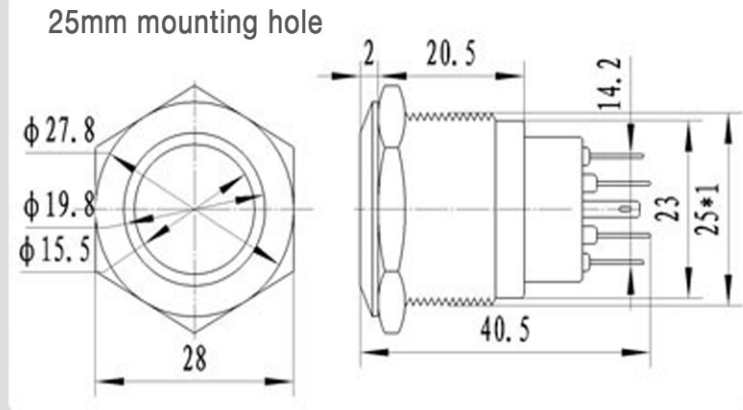
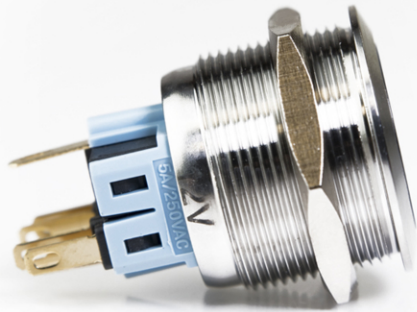




Premium Red
Stainless Steel
LED Pushbutton



Degree of Protection	Ip67
Contact Type	1 NO 1NC / 2NO 2NC 可定制
Maximum Voltage	5V/250VAC
Thermal Current	5A
Minimum Applicable Load	5V AC/DC, 1mA
Contact material	Silver plated
Terminal Style	.110" Solder/ Quick Connect
Operating Temperature	-25°C to +65°C
Operating Humidity	45 to 85% RH
Contact Resistance	5mΩ maximum
Insulation Resistance	1000MΩ minimum (500V DC megger)
Vibration Resistance	10 to 55Hz, amplitude 1.2mm p-p
Degree of Protection	>10g
Electrical Life	200,000 operations minimum (at full rated load)
Mechanical Life	Maintained: 1000000 Momentary: 1000000 Selector/Keylock: 250000
Dielectrical Life	Illumination Unit: 2,000V AC, 1 min. Between live part/ground
Soldering Temperature	20W/5 seconds or 260°C/3 seconds