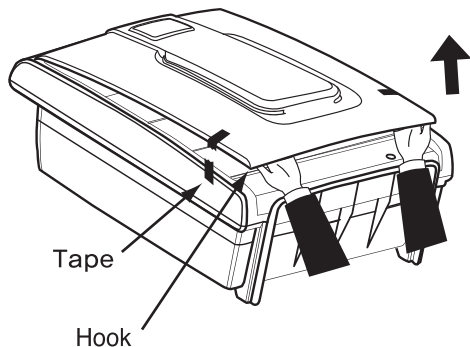
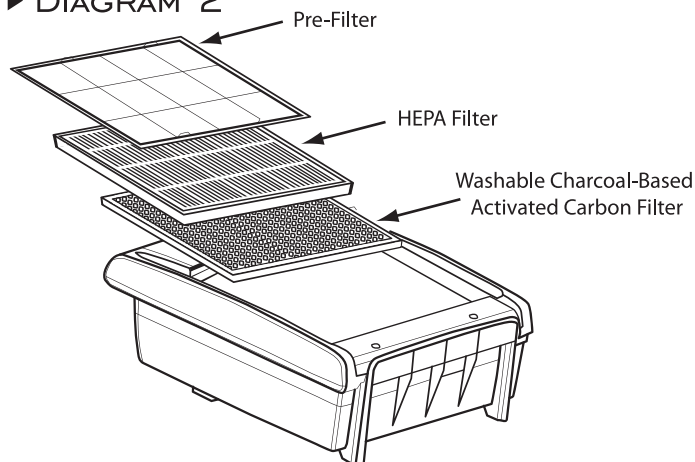


Do not operate the unit until completing these steps first

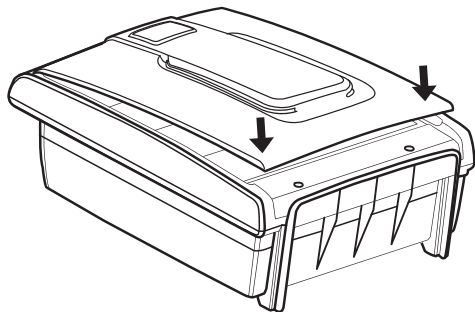
► DIAGRAM 1



► DIAGRAM 2



► DIAGRAM 3



1. Remove the air purifier from the packing materials.
2. Lay the unit on a flat surface such as a table or floor. Make sure the cord is not pinched behind the unit.
3. Remove the tape from both sides of the unit (Diagram 1).
4. Grab the front panel from the bottom and lift up to remove the front panel (Diagram 1).
5. Remove the Pre-Filter by grabbing the two tabs on the front of the filter and pulling out.
6. Remove BioGS HEPA filter and Washable Charcoal-Based Activated Carbon Filter from the plastic bags.
7. First return the Washable Charcoal-Based Activated Carbon Filter to the unit, with the filter handle facing outward (Diagram 2).
8. Replace the HEPA filter with the word "front" on the filter frame facing outward (Diagram 2).
9. Replace the Pre-Filter last. Align the top and bottom tabs, slide the filter into the slots and make sure the filter is resting securely on both the top and bottom (Diagram 2).
10. Reattach the front panel, press hooks on the bottom of the front panel into the slots on the bottom of the unit, you should hear them click into place (Diagram 3).
11. Stand the unit in upright position, then plug in the air purifier and turn the unit on by pressing the main unit control button in the center of the LCD screen.

