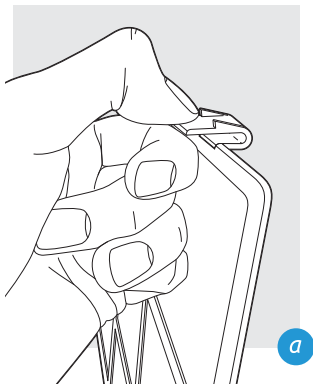


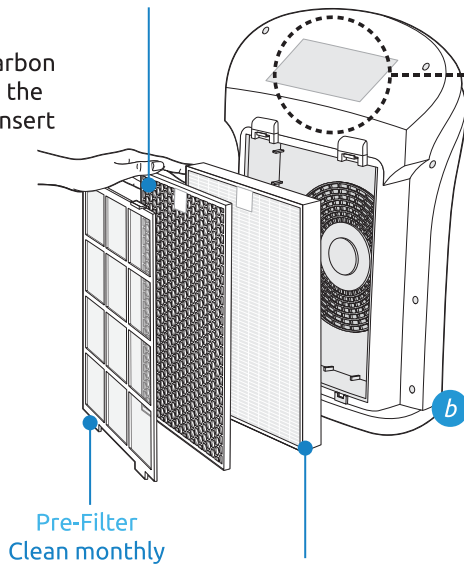
Let's Begin! Do NOT discard the Pre-Filter. It is designed to be cleaned and reused.



1. First, remove the Pre-Filter by pinching the two tabs on top, and lifting out (a).

Charcoal Based
Activated Carbon Filter
Replace every 18 months

2. Discard the used Activated Carbon filter and HEPA filter. Unwrap the new replacement filters and insert into the unit in this order (b).



Pre-Filter
Clean monthly

BioGS HEPA Filter
Replace every 18 months

3. After replacing the filters press & hold the Filter reset button to reset the Filter Life Indicator (c).

Filter Maintenance Indicator

Every 3 months : The Filter Maintenance Indicator will illuminate for cleaning.

Every 18 months : The Filter Maintenance Indicator will flash for replacement.

Filter Maintenance Indicator

On: Clean Filters **Flashing: Replace Filters**

New Filters **Filter Life Indicator**

15 Months

12 Months

9 Months

6 Months

3 Months

• Filter Reset Button

	Air Quality Pollutant level	●	●	●	●	●	High
	Fan Speed	●	●	●	●	●	High
	Auto Mode Sensitivity level	●	●	●	●	●	Low Med High
	Sleep Timer	●	●	●	●	●	4hr 8hr 12hr
	Negative Ions	●	●	●	●	●	On/Off

How to reset the red indicator light

After each cleaning:
Press to turn off Filter Maintenance Indicator.

After replacing filters: Press & hold to reset Filter Life Indicator.

